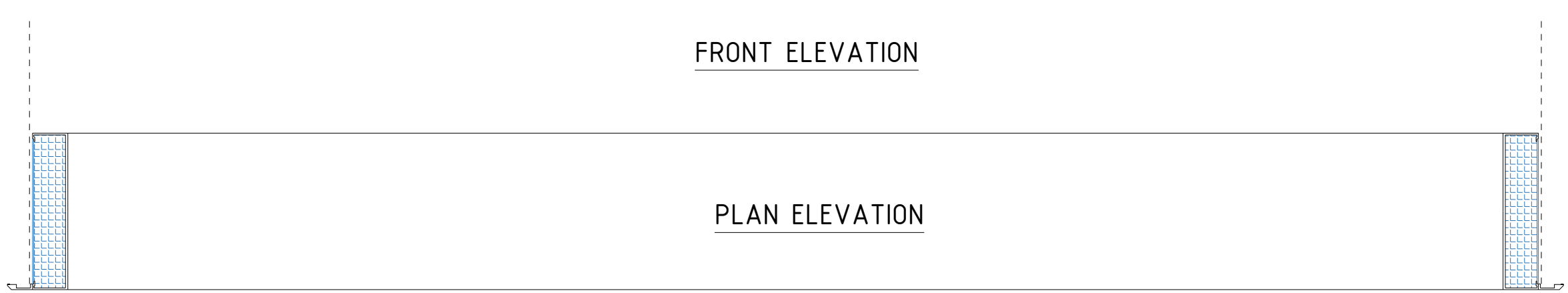


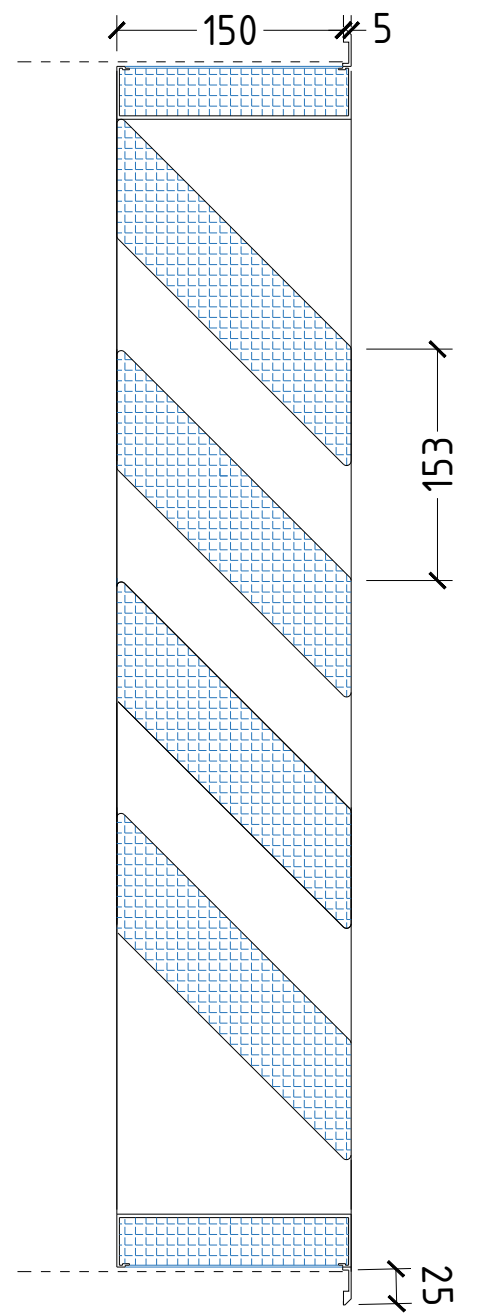
NOMINAL HOLE WIDTH

NOMINAL HOLE HEIGHT

FRONT ELEVATION



PLAN ELEVATION



SIDE ELEVATION

DIMENSIONAL NOTES:
 NOMINAL = HOLE SIZE
 EXACK NECK IS NOMINAL -6MM.
 O/A FLANGE IS EXACT NECK + 50MM