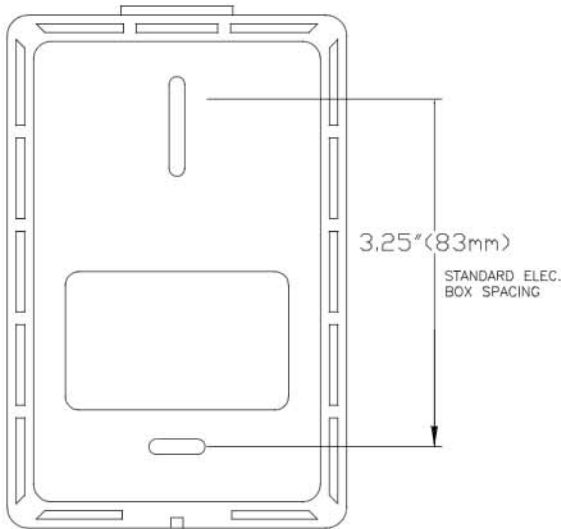
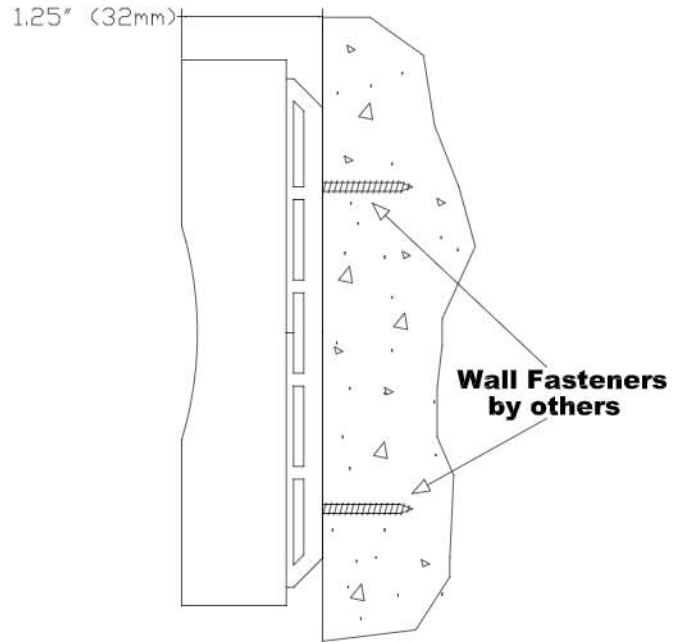


**Price Room Sensor Thermostat
Part# 250050-100**

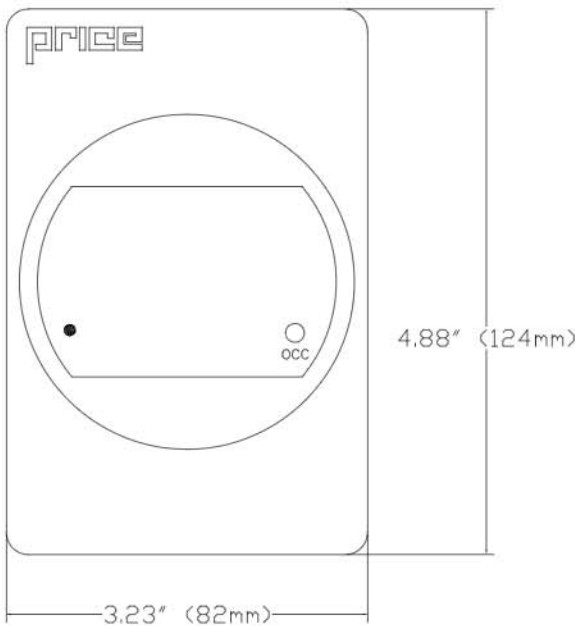
Backplate - Rear View



Surface Mount Detail



Face View



SPECIFICATIONS:

POWER REQUIREMENTS:

- POWER IS SUPPLIED FROM THE MAIN CONTROLLER (PIC, PRODIGY, ETC.)

COMMUNICATION PORT:

- RJ-45 CONNECTION TO THE MAIN CONTROLLER
- RJ-12 SERVICE PORT FOR CONNECTION TO PRICE LCD SEUP TOOL

FEATURES:

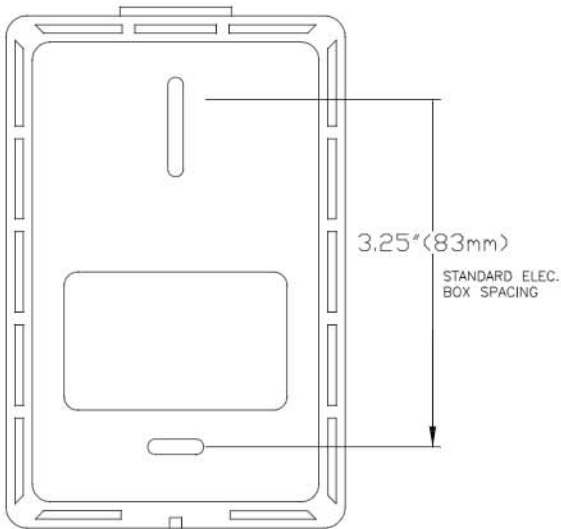
- ROOM TEMPERATURE IS MEASURED BY AN INTERNAL 10K TYPE J THERMISTOR WITH AN ACCURACY OF +/- 0.5°F FROM 55°F TO 85°F (+/- 0.25°C FROM 13°C TO 25°C)
- PUSH BUTTON AND LED FOR OCCUPANCY/STATUS
- HIDDEN SETPOINT DIAL ON BACK OF THE THERMOSTAT

ALL METRIC DIMENSIONS () ARE SOFT CONVERTED. IMPERIAL DIMENSIONS ARE CONVERTED TO METRIC AND ROUNDED TO THE NEAREST MILLIMETER.

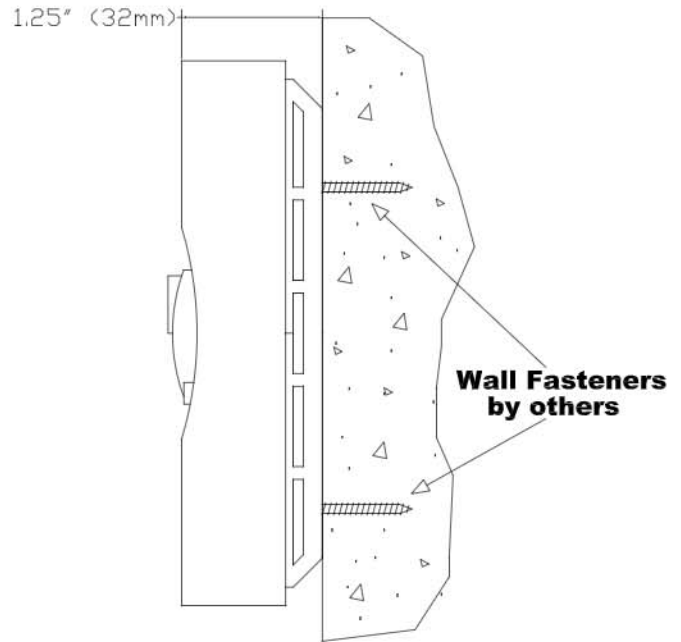
PROJECT:		PRICE [®]	CONTROLS
ENGINEER:			
CUSTOMER:		250050	PRICE ROOM SENSOR THERMOSTAT
SUBMITTAL DATE:	SPEC. SYMBOL:	2018/12/20	

**Price Dial Thermostat
Part# 250051-100**

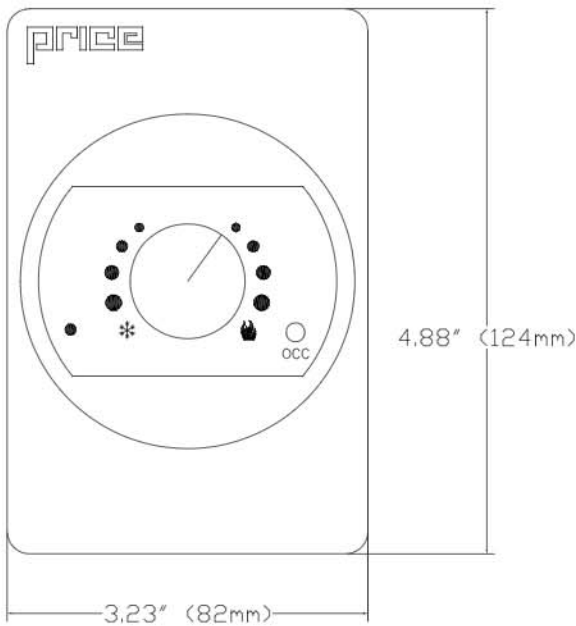
Backplate - Rear View



Surface Mount Detail



Face View



SPECIFICATIONS:

POWER REQUIREMENTS:

- POWER IS SUPPLIED FROM THE MAIN CONTROLLER (PIC, PRODIGY, ETC.)

COMMUNICATION PORT:

- RJ-45 CONNECTION TO THE PIC CONTROLLER
- RJ-12 SERVICE PORT FOR CONNECTION TO PRICE LCD SETUP TOOL

FEATURES:

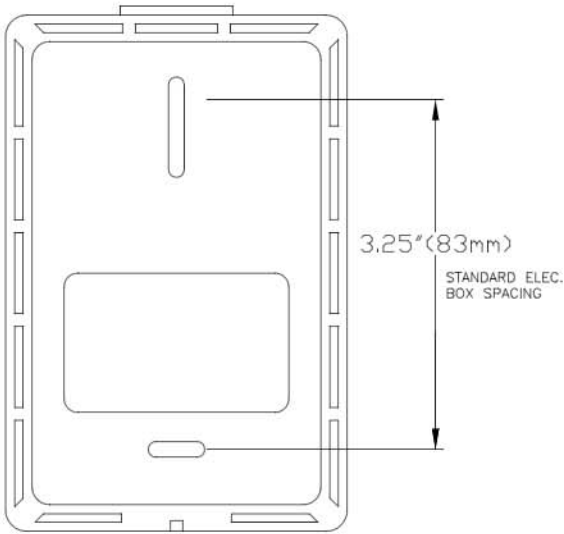
- DIAL ADJUSTMENT FOR TEMPERATURE CONTROL
- ROOM TEMPERATURE IS MEASURED BY AN INTERNAL 10K TYPE J THERMISTOR WITH AN ACCURACY OF +/- 0.5°F FROM 55°F TO 85°F (+/- 0.25°C FROM 13°C TO 25°C)
- PUSH BUTTON AND LED FOR OCCUPANCY/STATUS

ALL METRIC DIMENSIONS () ARE SOFT CONVERTED. IMPERIAL DIMENSIONS ARE CONVERTED TO METRIC AND ROUNDED TO THE NEAREST MILLIMETER.

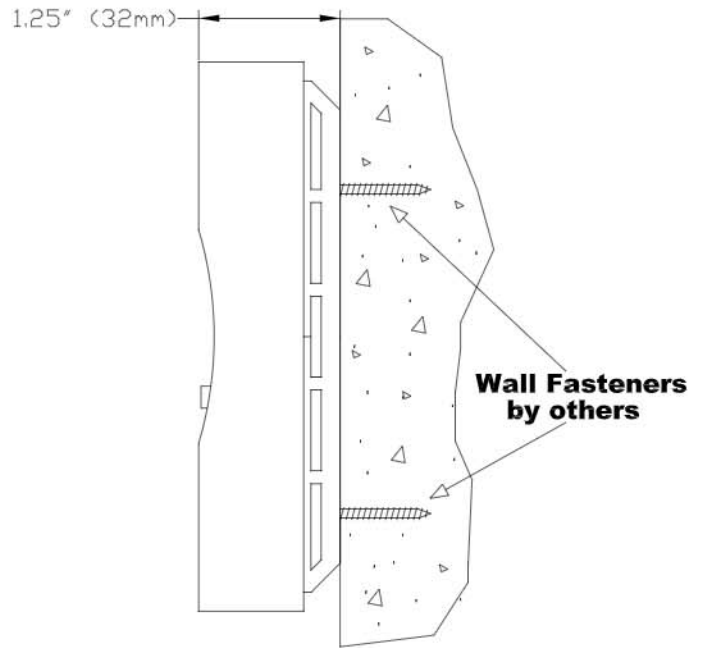
PROJECT:		PRICE [®]	CONTROLS PRICE DIAL THERMOSTAT
ENGINEER:			
CUSTOMER:		250051	
SUBMITTAL DATE:	SPEC. SYMBOL:	2018/12/20	
		REV B	

**Price LCD Thermostat
PART# 250052-100**

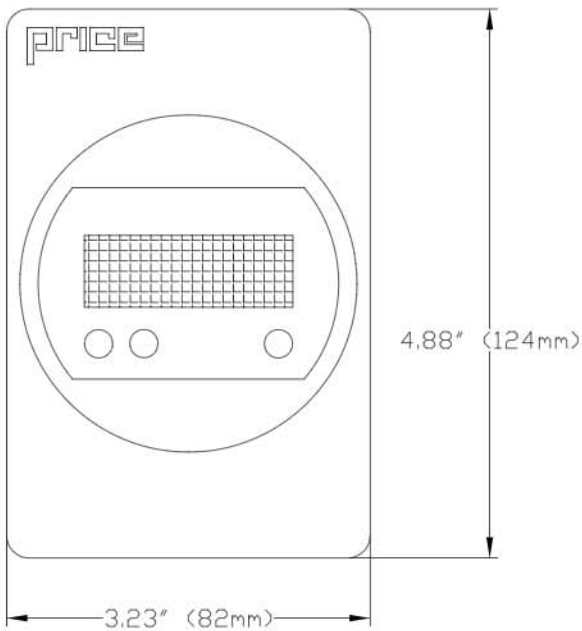
Backplate - Rear View



Surface Mount Detail



Face View



SPECIFICATIONS:

POWER REQUIREMENTS:

- POWER IS SUPPLIED FROM THE MAIN CONTROLLER (PIC, PRODIGY, ETC.)



COMMUNICATION PORT:

- RJ-45 CONNECTION TO THE MAIN CONTROLLER
- RJ-12 SERVICE PORT

FEATURES:

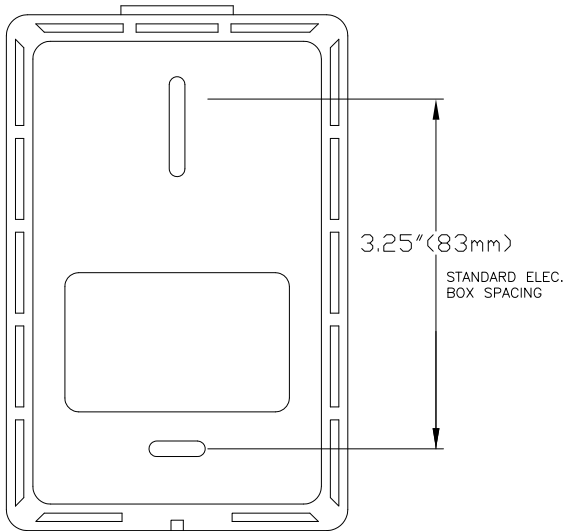
- ROOM TEMPERATURE IS MEASURED BY AN INTERNAL 10K TYPE J THERMISTOR WITH AN ACCURACY OF +/- 0.5°F FROM 55°F TO 85°F (+/- 0.25°C FROM 13°C TO 25°C)
- LCD SCREEN WITH BACKLIGHT
- PUSH BUTTON SETPOINT ADJUSTMENT
- SYSTEM SETUP AND BALANCING DIRECTLY FROM THERMOSTAT

ALL METRIC DIMENSIONS () ARE SOFT CONVERTED. IMPERIAL DIMENSIONS ARE CONVERTED TO METRIC AND ROUNDED TO THE NEAREST MILLIMETER.

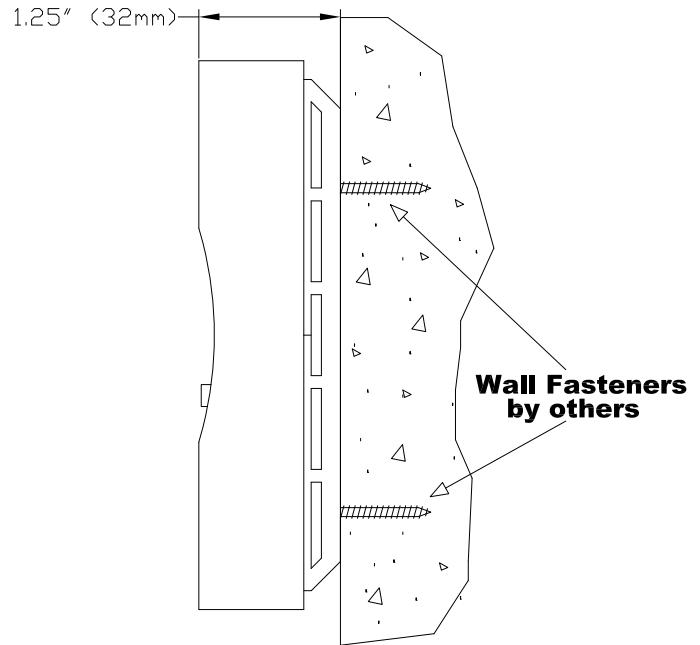
PROJECT:		
ENGINEER:		
CUSTOMER:		
SUBMITTAL DATE:		250052
SPEC. SYMBOL:		2018/12/20
		CONTROLS PRICE LCD THERMOSTAT

**Price LCD CO2 / Humidity Thermostat
Part# 250052-200**

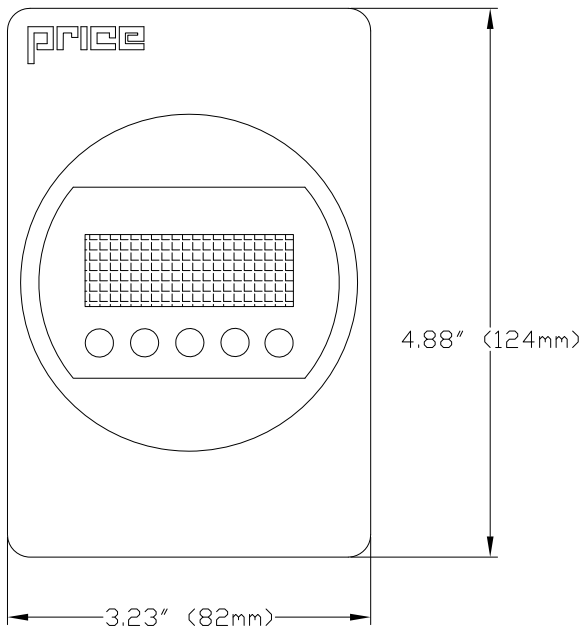
Backplate - Rear View



Surface Mount Detail



Face View



SPECIFICATIONS

POWER REQUIREMENTS:

- 24VAC EXTERNAL POWER CONNECTION REQUIRED - HOT / COMMON POLARITY MUST BE CONSISTENT WITH CONTROLLER OR CO2 SENSOR WILL BE DAMAGED

COMMUNICATION PORT:

- RJ45 CONNECTION - REAR JACK TO THE MAIN CONTROLLER
- RJ12 CONNECTION - BOTTOM JACK (SERVICE PORT)

FEATURES:

• **CO2 SENSOR**

- NON DISPERSIVE INFRARED SENSOR
- GOLD PLATED PRE-CALIBRATED SENSOR
- ACCURATE TO +/- 30 PPM +/- 10% OF MEASURED READING
- SAMPLE INTERVAL (3 SECONDS)
- CO2 MEASUREMENT: 0 - 5,000 PPM

• **RH SENSOR**

- 1.8% RH ACCURACY (+/- 0.1% RH REPEATABILITY)
- NORMAL OPERATING RANGE - 5% to 90% RH (MAX RANGE - 0% - 100% RH)
- LONG TERM STABILITY (LESS THAN 0.5% RH DRIFT/YEAR)
- LOW POWER CONSUMPTION

• **THERMOSTAT**

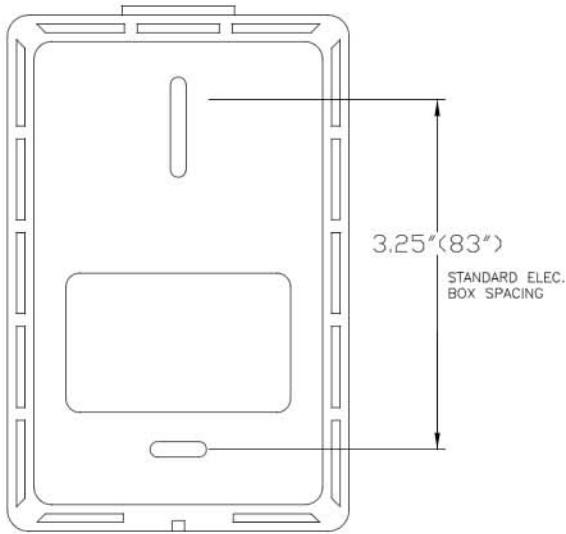
- ROOM TEMPERATURE MEASURED WITH 10Kohm TYPE J THERMISTOR WITH AN ACCURACY OF +/- 0.5 DEG. F, FROM 55 DEG F TO 85 DEG F (+/- 0.25 DEG C FROM 13 DEG C to 25 DEG C)
- LCD SCREEN WITH RGB BACKLIGHT
- PUSH BUTTON SETPOINT ADJUSTMENT
- SYSTEM SETUP AND BALANCING DIRECTLY FROM THERMOSTAT

ALL METRIC DIMENSIONS () ARE SOFT CONVERTED. IMPERIAL DIMENSIONS ARE CONVERTED TO METRIC AND ROUNDED TO THE NEAREST MILLIMETER.

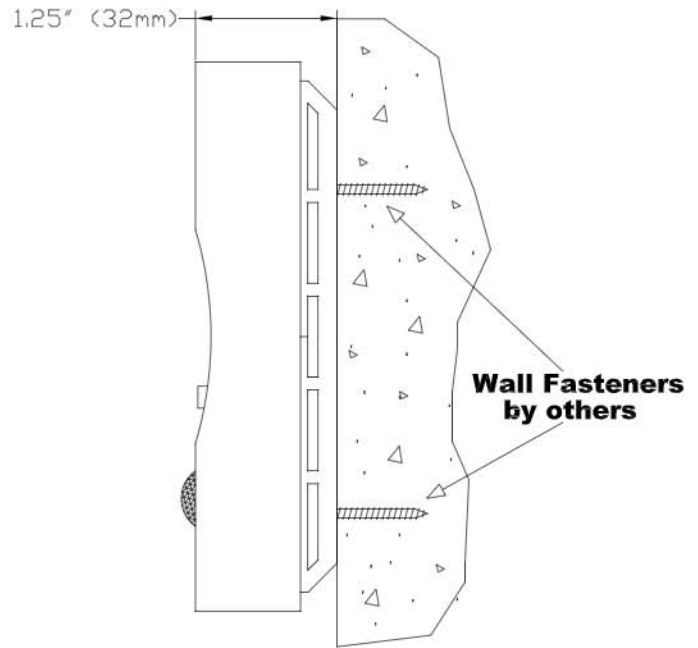
PROJECT:		PRICE®
ENGINEER:		
CUSTOMER:		<i>BC MB</i>
SUBMITTAL DATE:		270637
SPEC. SYMBOL:		2018/12/20
		PRICE CONTROLS CO2/RH THERMOSTAT LCD DISPLAY

**Price LCD Thermostat with Motion Sensor
Part# 250053-100**

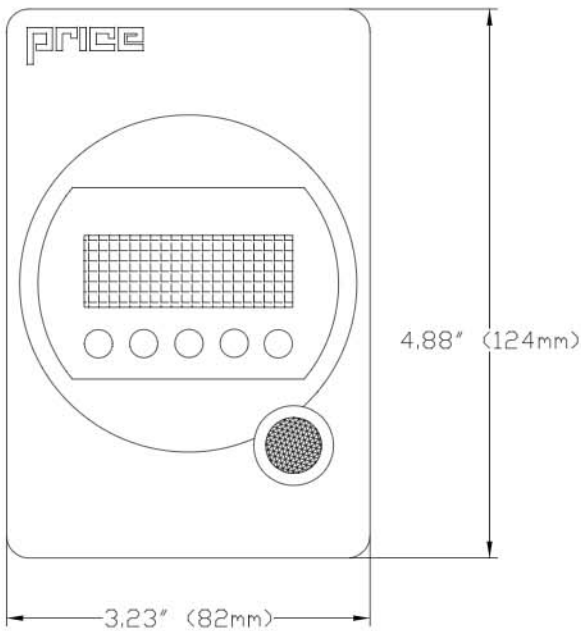
Backplate - Rear View



Surface Mount Detail



Face View



SPECIFICATIONS:

POWER REQUIREMENTS:

- POWER IS SUPPLIED FROM THE MAIN CONTROLLER (PIC, PRODIGY, ETC.)



COMMUNICATION PORT:

- RJ-45 CONNECTION TO THE MAIN CONTROLLER
- RJ-12 SERVICE PORT

FEATURES:

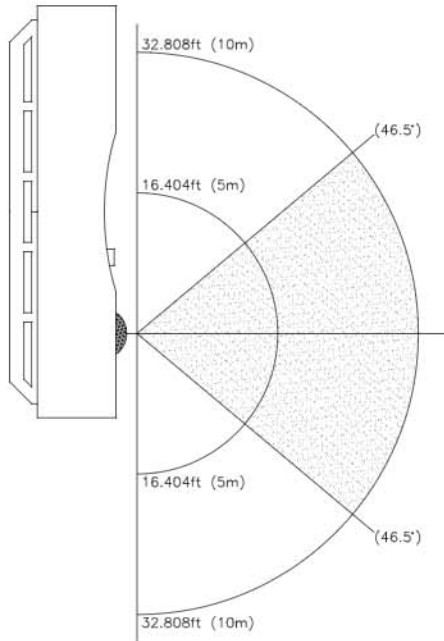
- ROOM TEMPERATURE IS MEASURED BY AN INTERNAL 10K TYPE J THERMISTOR WITH AN ACCURACY OF +/- 0.5°F FROM 55°F TO 85°F (+/- 0.25°C FROM 13°C TO 25°C)
- LCD SCREEN WITH BACKLIGHT
- PUSH BUTTON SETPOINT ADJUSTMENT
- SYSTEM SETUP AND BALANCING DIRECTLY FROM THERMOSTAT
- BUILT IN PASSIVE INFRARED (PIR) MOTION SENSOR FOR AUTOMATIC DETECTION OF OCCUPANCY (SEE SHEET 2)

ALL METRIC DIMENSIONS () ARE SOFT CONVERTED. IMPERIAL DIMENSIONS ARE CONVERTED TO METRIC AND ROUNDED TO THE NEAREST MILLIMETER.

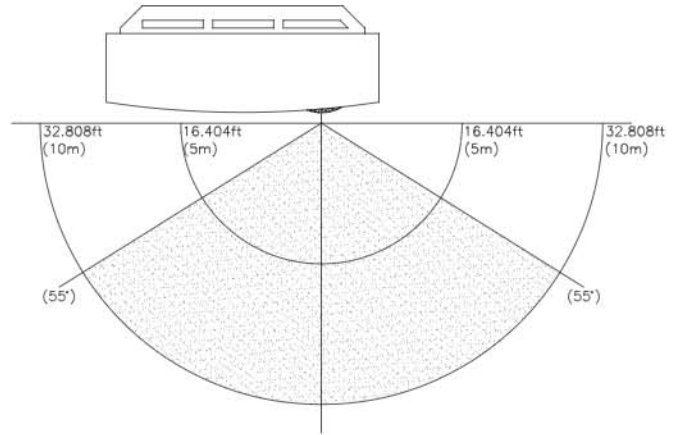
PROJECT:		
ENGINEER:		
CUSTOMER:		
SUBMITTAL DATE:		250053
SPEC. SYMBOL:		2018/12/20
		CONTROLS PRICE LCD THERMOSTAT with MOTION SENSOR

**Price LCD Thermostat with Motion Sensor
Part# 250053-100**

Side View



Top View



SPECIFICATIONS: (CONT'D)

PASSIVE INFRARED (PIR) MOTION SENSOR:

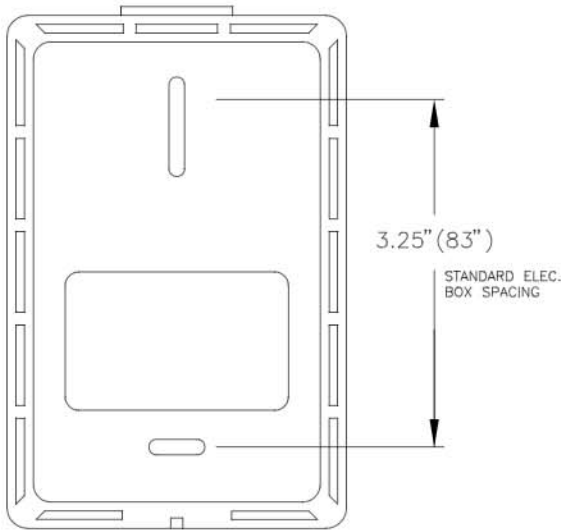
- WIDE DETECTION AREA, 10 METERS MAXIMUM DETECTION RANGE
- DETECTS CHANGE IN BACKGROUND AND DETECTION TARGET (4°C/7.2F)
- PRICE CONTROLS READ OCCUPANCY SENSOR AND FEATURE AN ADJUSTABLE OCCUPANCY TIMEOUT (MINUTES)
- SEPARATE LIGHTING TIMER ALSO AVAILABLE ON SOME CONTROLS
- ADJUSTABLE SENSITIVITY AND BUILT IN MOTION TEST (BEEPER)

ALL METRIC DIMENSIONS () ARE SOFT CONVERTED. IMPERIAL DIMENSIONS ARE CONVERTED TO METRIC AND ROUNDED TO THE NEAREST MILLIMETER.

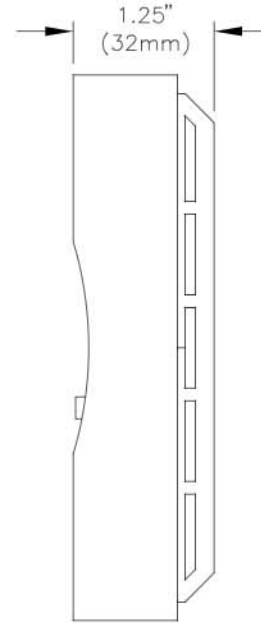
PROJECT:		PRICE[®]
ENGINEER:		
CUSTOMER:		CONTROLS
SUBMITTAL DATE:		PRICE LCD THERMOSTAT with MOTION SENSOR
SPEC. SYMBOL:		250053
		2018/12/20

**Price Wireless Base Receiver
Part# 250054-001**

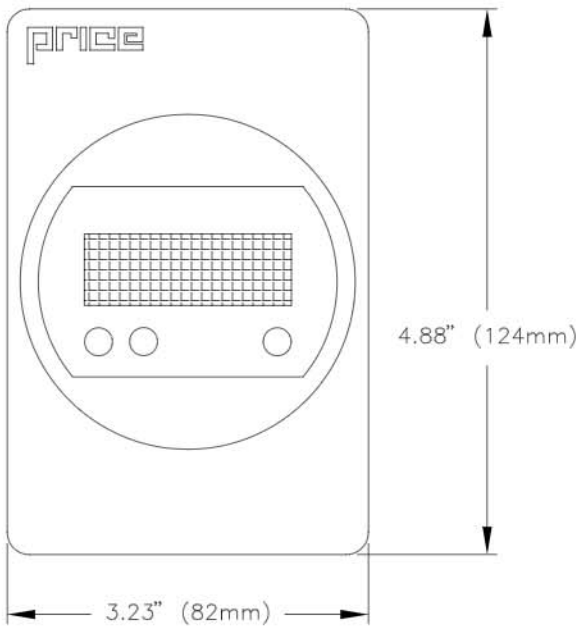
Backplate - Rear View



Surface Mount Detail



Face View



SPECIFICATIONS:

POWER REQUIREMENTS:

- POWER IS SUPPLIED FROM THE MAIN CONTROLLER (PIC, PRODIGY, ETC.)

COMMUNICATION PORT:

- FCC CERTIFIED WIRELESS MODULE
- RJ-45 CONNECTION TO THE MAIN CONTROLLER

FEATURES:


- LCD SCREEN WITH BACKLIGHT
 - WIRELESS SETUP INFORMATION
 - RANGE UP TO 50 FEET
- NOTE: CONCRETE OR METAL WALLS AND FLOOR TILES WILL REDUCE THE RANGE.

IMPORTANT NOTES:

For Underfloor applications the BASE receiver must be mounted in a plastic DBS (Round Damper Basket) to allow RF signals to pass through the metal tiles.

Wireless BASE receiver cannot access the controller's service menu, therefore at least one LCD thermostat (P/N 250052-100) must be present onsite to access the controller's service menu.

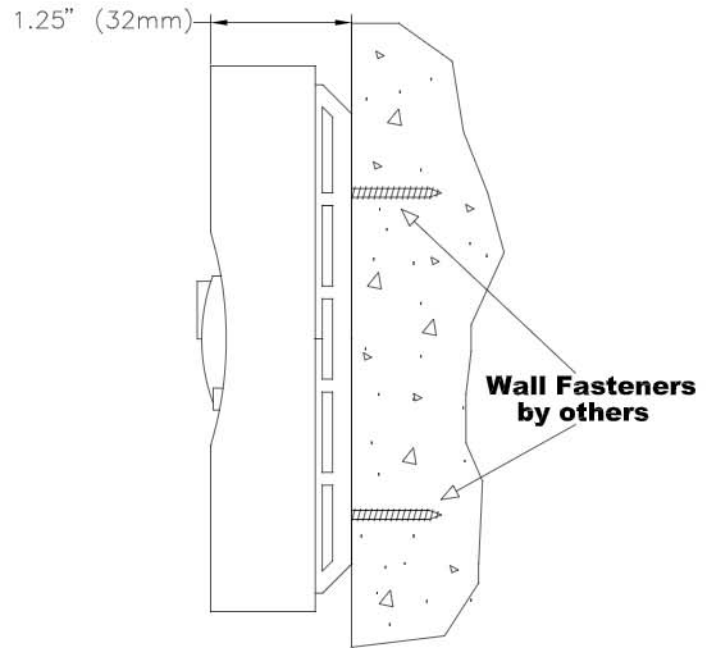
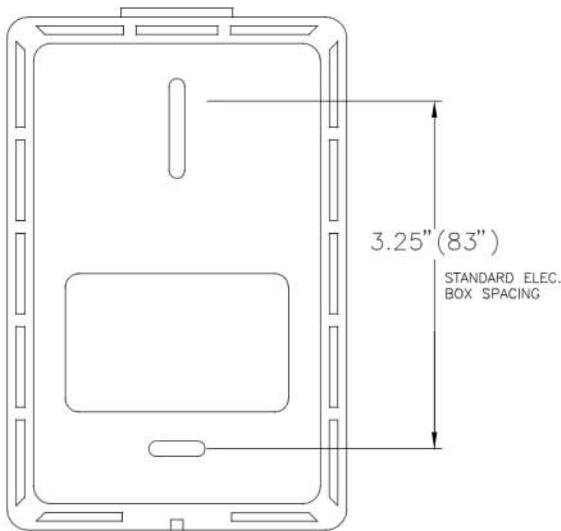
ALL METRIC DIMENSIONS () ARE SOFT CONVERTED. IMPERIAL DIMENSIONS ARE CONVERTED TO METRIC AND ROUNDED TO THE NEAREST MILLIMETER.

PROJECT:		
ENGINEER:		
CUSTOMER:		CONTROLS PRICE WIRELESS BASE RECEIVER THERMOSTAT
SUBMITTAL DATE:		
SPEC. SYMBOL:		

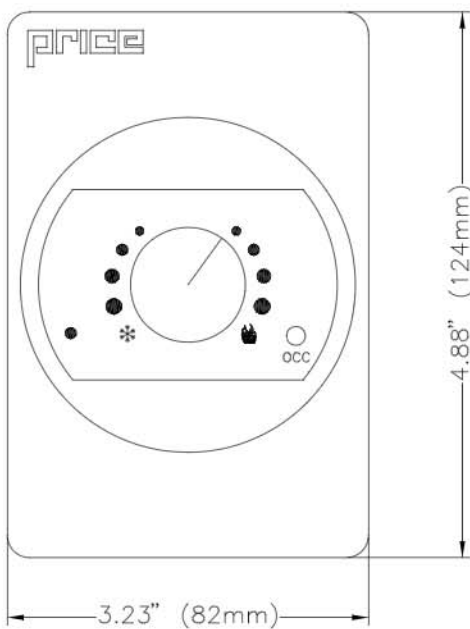
**Price Wireless Remote Dial Thermostat
Part# 250054-002**

Surface Mount Detail

Backplate - Rear View



Face View



SPECIFICATIONS:

POWER REQUIREMENTS:

- 2 AA LITHIUM BATTERIES

COMMUNICATION:

- FCC CERTIFIED WIRELESS MODULE

FEATURES:

- DIAL ADJUSTMENT FOR TEMPERATURE CONTROL
- ROOM TEMPERATURE IS MEASURED BY AN INTERNAL 10K TYPE J THERMISTOR
- PUSHBUTTON AND LED FOR STATUS INDICATION
- RANGE UP TO 50 FEET

NOTE: CONCRETE OR METAL WALLS AND FLOOR TILES WILL REDUCE THE RANGE.

ALL METRIC DIMENSIONS () ARE SOFT CONVERTED. IMPERIAL DIMENSIONS ARE CONVERTED TO METRIC AND ROUNDED TO THE NEAREST MILLIMETER.

PROJECT:		PRICE[®]	CONTROLS PRICE WIRELESS REMOTE DIAL THERMOSTAT
ENGINEER:			
CUSTOMER:		250054	
SUBMITTAL DATE:	SPEC. SYMBOL:	2018/12/27	
		REV C	