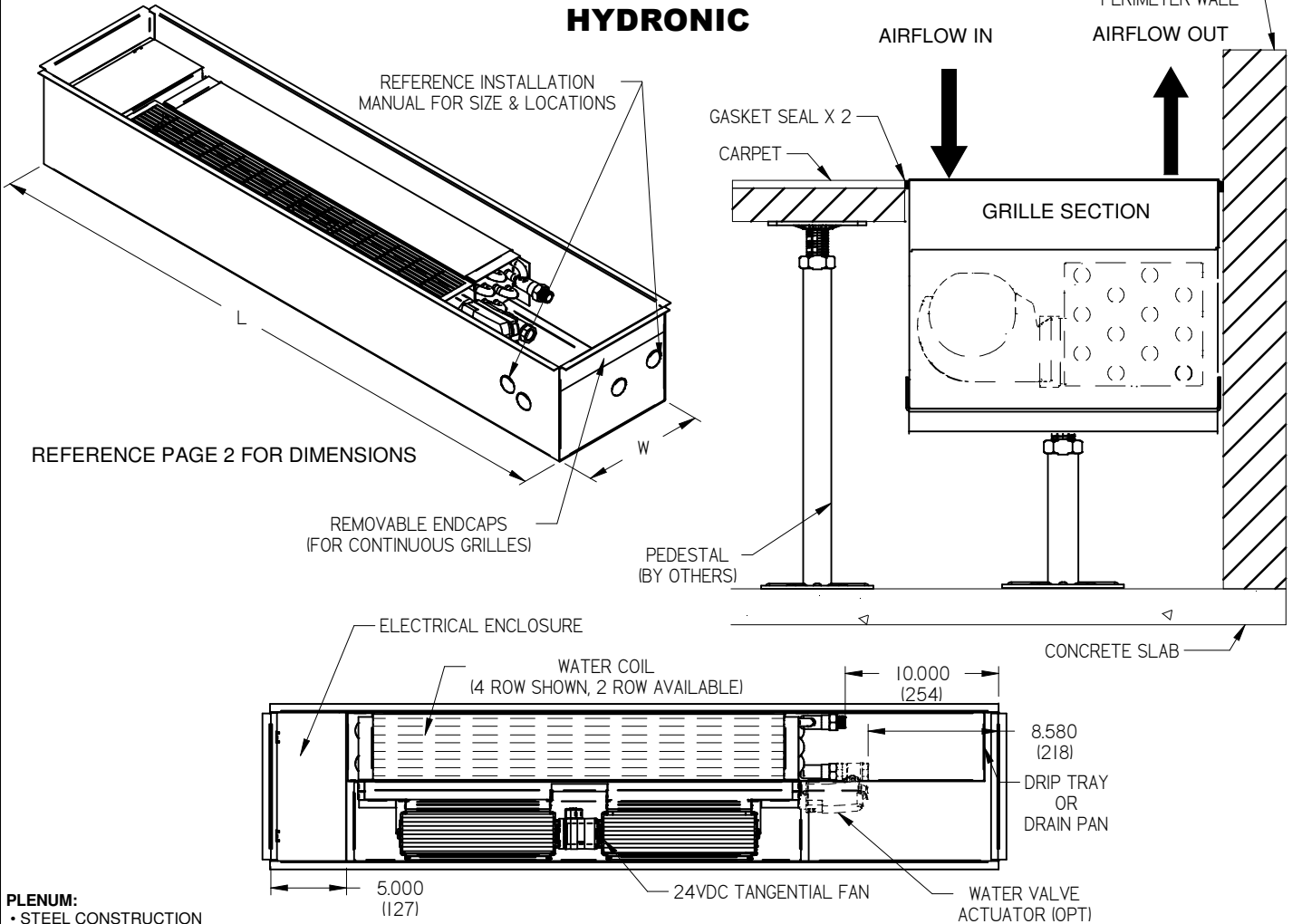


**LFT - LINEAR FAN TERMINAL
HYDRONIC**



PLENUM:
 • STEEL CONSTRUCTION
 • POWDER COATED BLACK FINISH
 • FRONT AND SIDE K.O. FOR COIL CONNECTIONS

DRIP/DRAIN PAN:
 • STAINLESS STEEL DRIP OR DRAIN PAN

EC FAN:
 • 24VDC POWER
 • MAXIMUM 19W EACH

COIL TYPE:
 • 2 PIPE OR 4 PIPE
 • 12 FPI

CONTROLS:
 • PCM-LFT SHOULD BE ORDERED SEPARATELY

NOTES:
 • FACTORY TOLERANCE +/- 1/32" (1)
 • PEDESTAL AND PEDESTAL HEAD BY OTHERS
 • GRILLES MUST BE ORDERED SEPARATELY
 • NOMINAL SIZE (L X W) = ROUGH OPENING
 • NOMINAL LFG SIZE = L - .125" (3) X W - .125" (3)
 • NOMINAL RFG SIZE = L X W

PLENUM STYLE
 F - FLANGED PLENUM, ORDER W/ LFG 1000 STYLE - 20 GA
 NF - NON - FLANGED, ORDER W/ LFG 125 OR 187 STYLE - 20 GA
 FL - FLARED, ORDER WITH RFG - 18 GA

SUPPORT STYLE
 NONE (FLOOR TILE SUPPORTED)
 LF - LEVELING FEET (ADDS MINIMUM 0.500" IN HEIGHT)
 PEDESTAL BRACKETS (OPTIONAL FOR FLOOR TILE SUPPORTED PLENUM)
 - 2 FOR 48" UNITS
 - 3 FOR 72" UNITS
 - 4 FOR 96" UNITS

WC TYPE
 2P 2R - 2 PIPE 2 ROW COIL
 2P 4R - 2 PIPE 4 ROW COIL
 4P 3R - 4 PIPE 3 ROW COIL

WC CONNECTION TYPE
 1/2" MNPT CONNECTION
 SWEAT CONNECTION

FAN FILTER
 FILTER

ALL METRIC DIMENSIONS () ARE SOFT CONVERTED. IMPERIAL DIMENSIONS ARE CONVERTED TO METRIC AND ROUNDED TO THE NEAREST MILLIMETER.

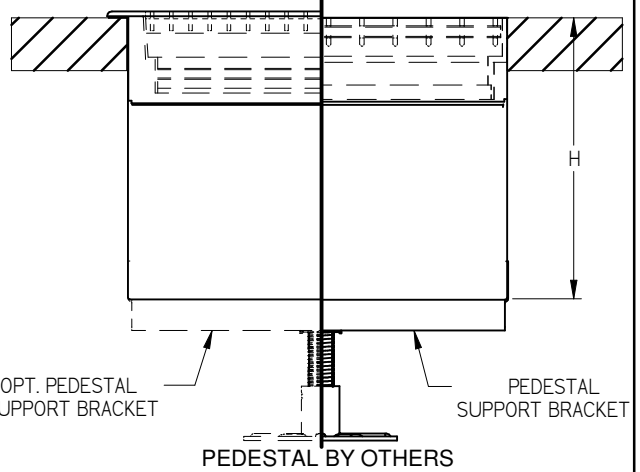
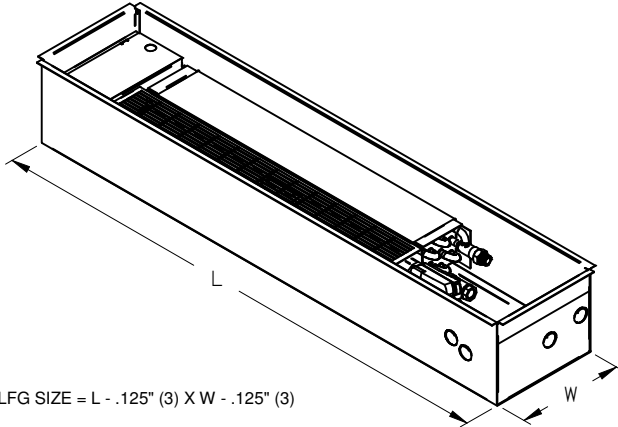
PROJECT:		<p style="font-size: 2em; font-weight: bold; margin: 0;">NS</p> <p style="font-weight: bold; margin: 0;">271290</p> <p style="font-weight: bold; margin: 0;">2021/11/03</p>	<p style="font-weight: bold; margin: 0;">LFT</p> <p style="font-weight: bold; margin: 0;">LINEAR FAN TERMINAL HYDRONIC</p>
ENGINEER:			
CUSTOMER:			
SUBMITTAL DATE:	SPEC. SYMBOL:		

**LFT - LINEAR FAN TERMINAL
HYDRONIC
GRILLES ORDERED SEPARATELY**

1000 STYLE (F) 125 / 187 STYLE (NF)

NOMINAL PLENUM DIMENSIONS (ROUGH OPENING)				AMPS(A) FAN ONLY
HEIGHT (H)	WC TYPE	WIDTH (W)	LENGTH (L)	
5.500 (140)*	2P 2R	8.000 (203)	48.000 (1219), 72.000 (1829), 96.000 (2438)	0.4, 0.8, 1.3
7.625 (194)**	2P 2R	8.000 (203)	48.000 (1219), 72.000 (1829), 96.000 (2438)	0.8, 1.6, 2.4
	2P 4R	10.000 (254)		
	4P 3R	11.250 (286)		

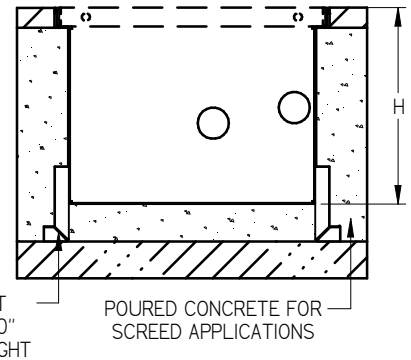
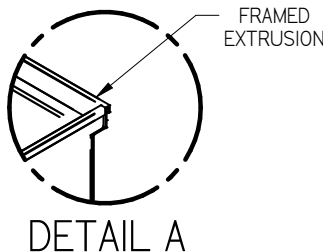
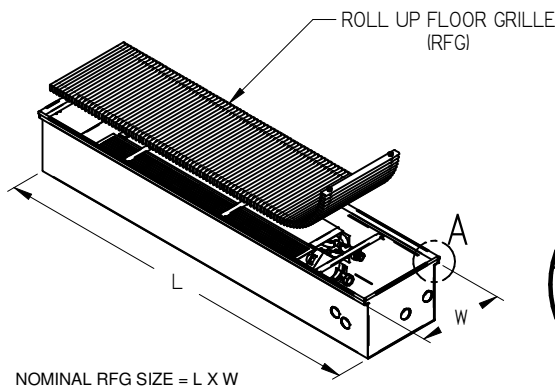
NOTES: * COMES WITH DRIP PAN
** COMES WITH DRAIN PAN



RFG STYLE (FL)

NOMINAL PLENUM DIMENSIONS (ROUGH OPENING)				AMPS (A) FAN ONLY
HEIGHT (H)	WC TYPE	WIDTH (W)	LENGTH (L)	
4.000 (102)*	2P 2R	9.000 (229)	48.000 (1219), 72.000 (1829), 96.000 (2438)	0.4, 0.8, 1.3
6.125 (156)**	2P 2R	9.000 (229)	48.000 (1219), 72.000 (1829), 96.000 (2438)	0.8, 1.6, 2.4
	2P 4R	11.000 (279)		
	4P 3R	12.250 (311)		

NOTES: * COMES WITH DRIP PAN
** COMES WITH DRAIN PAN



- PLENUM BORDER FINISH (FL PLENUM STYLE)**
- MILL - NON TREATED FROM THE MILL - UNPAINTED
 - PA - PREPARED ALUMINUM - MILL FINISH FACTORY CLEANED
 - AB - BLACK ANODIZED
 - AC - CLEAR ANODIZED
 - ALB - LIGHT BRONZE ANODIZED
 - AMB - MEDIUM BRONZE ANODIZED
 - ADB - DARK BRONZE ANODIZED
 - ACH - CHAMPAGNE ANODIZED
 - ASPL - SPECIAL ANODIZED FINISHES OTHER THAN ABOVE

ALL METRIC DIMENSIONS () ARE SOFT CONVERTED. IMPERIAL DIMENSIONS ARE CONVERTED TO METRIC AND ROUNDED TO THE NEAREST MILLIMETER.

PROJECT:		 NS 271290 2021/11/03	LFT LINEAR FAN TERMINAL HYDRONIC
ENGINEER:			
CUSTOMER:			
SUBMITTAL DATE:	SPEC. SYMBOL:		