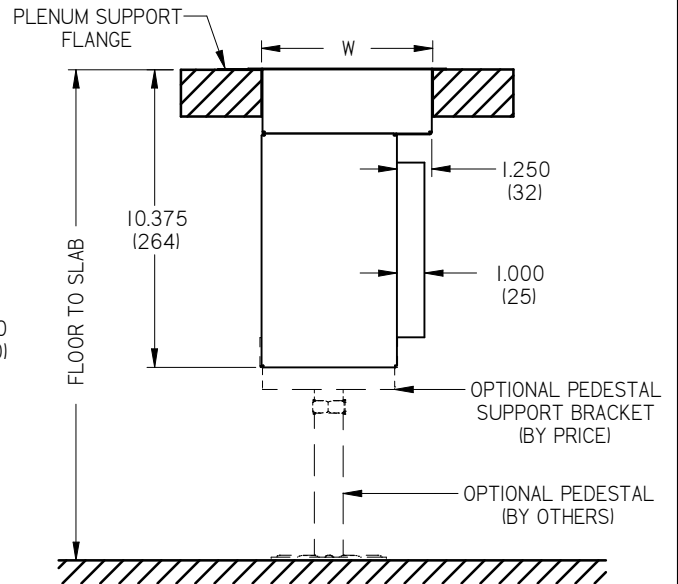
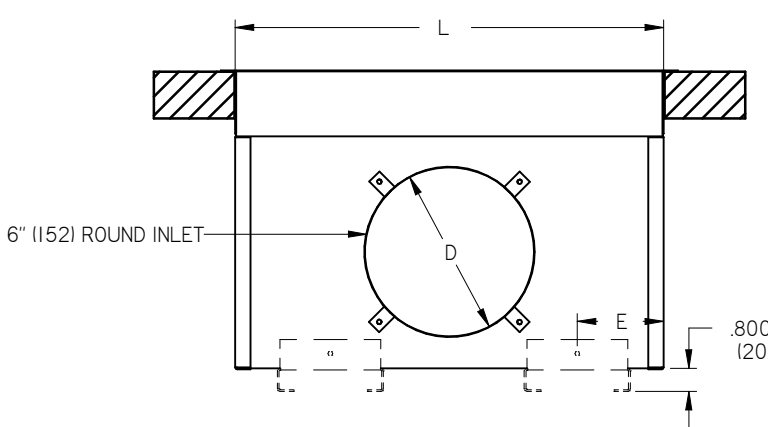
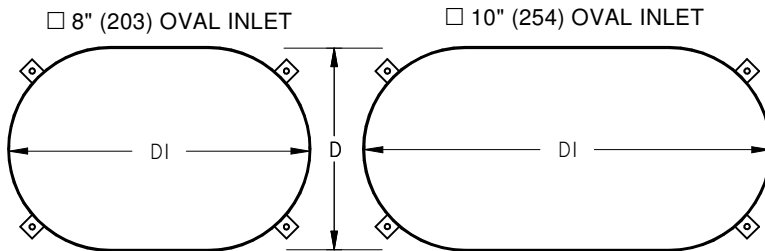


**LFP - LINEAR FLOOR PLENUM
FLOOR TILE SUPPORTED**



INLET



| INLET | | |
|----------|-------------|--------------|
| SIZE | D | D1 |
| 6" ROUND | 5.875 (149) | N/A |
| 8" OVAL | 6 (152) | 8.937 (227) |
| 10" OVAL | 6 (152) | 12.078 (307) |

NOTE:

- NOMINAL SIZE (L X W) = ROUGH OPENING
- LFG GRILLE ORDERED SEPARATELY WITH 1000 STYLE BORDER
- NOMINAL GRILLE SIZE = L - 0.125" (3) X W - 0.125" (3)
- LFP WITH LFG INSTALLED IS DESIGNED TO WITHSTAND LIGHT FOOT TRAFFIC

SIZES:

- MINIMUM 12" X 6" (305 X 152)
- MAXIMUM 48" X 10" (1219 X 254)

PLENUM:

- PLENUM LENGTH = L - 0.125" (3)
- PLENUM WIDTH = W - 0.125" (3)
- 20 GAUGE STEEL CONSTRUCTION
- BLACK FINISH
- DROP - IN INSTALLATION FROM ABOVE FLOOR
- COMES WITH REMOVABLE ENDCAPS FOR CONTINUOUS & DISCRETE GRILLE INSTALLATIONS

ACOUSTIC LINER:

- 1/2" INTERNAL FIBER FREE INSULATION LINER (3LB DENSITY MIN.)

INLET:

- 6" (152) ROUND
- 8" (203) OVAL
- 10" (254) OVAL (L >= 15 (381))
- FIELD CUT (NO INLET)

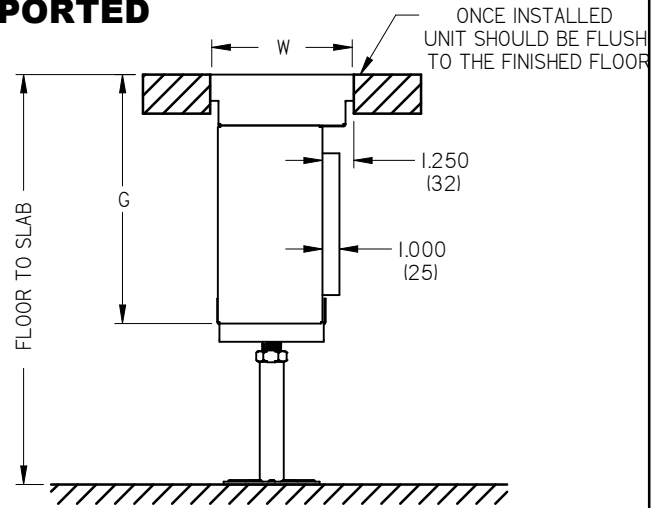
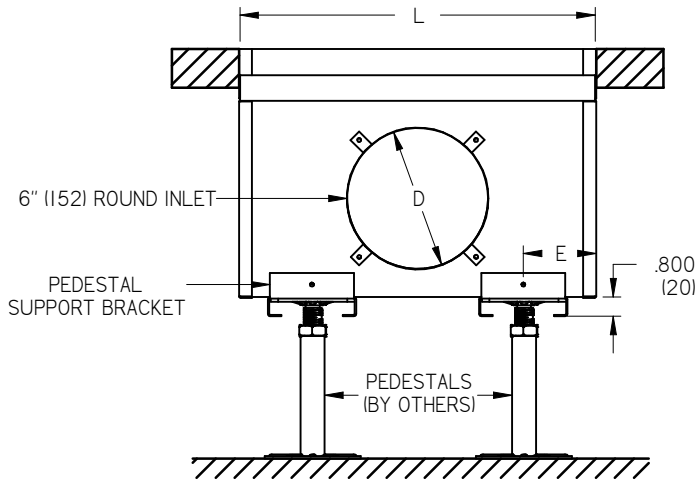
PEDESTAL BRACKETS OPTION:

- PEDESTAL BRACKETS
 - FOR L <= 30" (762); E = 3" (76)
 - FOR L > 30" (762); E = 6" (152)

ALL METRIC DIMENSIONS () ARE SOFT CONVERTED. IMPERIAL DIMENSIONS ARE CONVERTED TO METRIC AND ROUNDED TO THE NEAREST MILLIMETER.

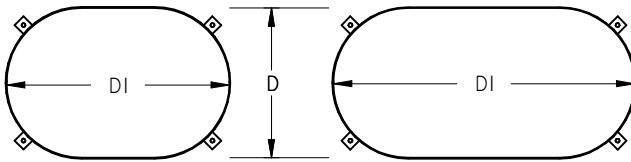
| | | |
|--|--|--------------|
| PROJECT: | | PRICE |
| ENGINEER: | | |
| CUSTOMER: | | NS |
| SUBMITTAL DATE: | | 269127 |
| SPEC. SYMBOL: | | 2020-04-09 |
| LFP LINEAR FLOOR PLENUM FLOOR TILE SUPPORTED 1000 STYLE | | |

**LFP - LINEAR FLOOR PLENUM
PEDESTAL SUPPORTED**



INLET

- 8" (203) OVAL INLET
- 10" (254) OVAL INLET



| INLET | | |
|----------|-------------|--------------|
| SIZE | D | D1 |
| 6" ROUND | 5.875 (149) | N/A |
| 8" OVAL | 6 (152) | 8.937 (227) |
| 10" OVAL | 6 (152) | 12.078 (307) |

| ASSEMBLY HEIGHT WITH LFG INSTALLED | |
|------------------------------------|--------------|
| CORE STYLE | G |
| PRESSED CORE | 10.550 (268) |
| MANDREL CORE | 10.375 (264) |

NOTE:

- NOMINAL SIZE (L X W) = ROUGH OPENING
- LFG GRILLE ORDERED SEPARATELY WITH 125/187 STYLE BORDER
- NOMINAL GRILLE SIZE = L - 0.125" (3) X W - 0.125" (3)
- LFP WITH LFG INSTALLED IS DESIGNED TO WITHSTAND LIGHT FOOT TRAFFIC

SIZES:

- MINIMUM 12" X 6" (305 X 152)
- MAXIMUM 48" X 10" (1219 X 254)

PLENUM:

- PLENUM LENGTH = L - 0.125" (3)
- PLENUM WIDTH = W - 0.125" (3)
- 20 GAUGE STEEL CONSTRUCTION
- BLACK FINISH
- DROP-IN INSTALLATION FROM ABOVE FLOOR
- COMES WITH REMOVABLE ENDCAPS FOR CONTINUOUS & DISCRETE GRILLE INSTALLATIONS

PEDESTAL SUPPORT BRACKETS:

- PEDESTAL SUPPORT BRACKETS SUPPLIED & MOUNTED BY PRICE
- PEDESTAL & PEDESTAL HEAD SUPPLIED BY OTHERS
- FOR L <= 30" (762); E = 3" (76)
- FOR L > 30" (762); E = 6" (152)

ALL METRIC DIMENSIONS () ARE SOFT CONVERTED. IMPERIAL DIMENSIONS ARE CONVERTED TO METRIC AND ROUNDED TO THE NEAREST MILLIMETER.

| | | |
|------------------------|--------|---|
| PROJECT: | | PRICE |
| ENGINEER: | | |
| CUSTOMER: | | LFP LINEAR FLOOR PLENUM PEDESTAL SUPPORTED 125/187 STYLE |
| SUBMITTAL DATE: | | |
| SPEC. SYMBOL: | 269128 | 2020-02-26 |