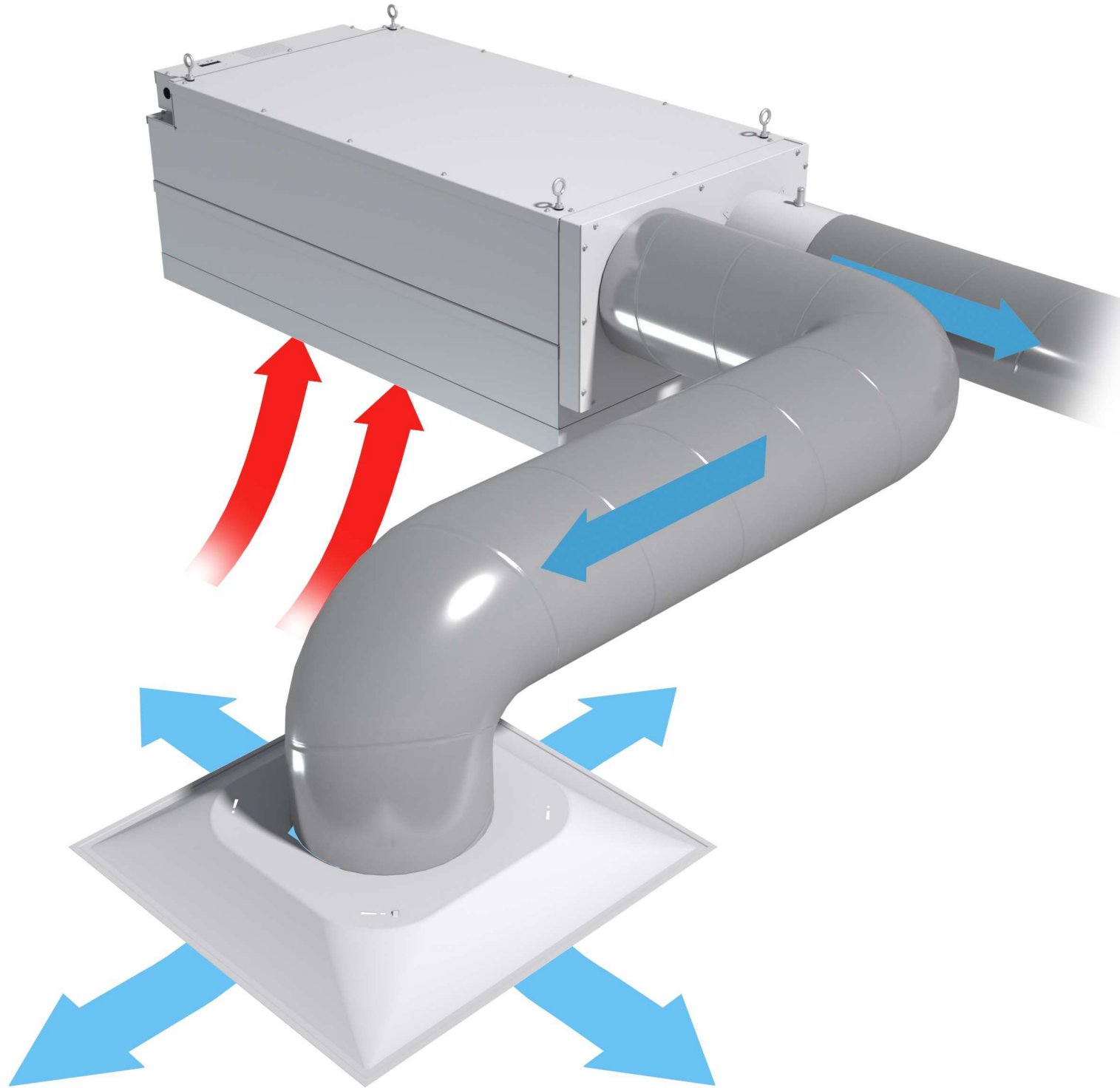


PURAFLO®

CLEANROOM TECHNOLOGIES FOR COMMERCIAL APPLICATIONS

FEATURES:

- THE PURAFLO PROVIDES HEPA FILTRATION AND INCREASED ROOM AIR CHANGES, EFFECTIVELY REDUCING THE CONCENTRATION OF, AND THEREFORE THE PROBABILITY OF EXPOSURE TO, AIRBORNE PATHOGENS* AND OTHER CONTAMINANTS.
- QUICK AND EASY TO INSTALL WITH NO IMPACT ON THE EXISTING HVAC SYSTEM
- OPTIMIZED FOR BOTH CEILING MOUNT AND PORTABLE FLOOR MOUNT INSTALLATIONS
- SUPPLY, REVERSE FLOW, AND DUAL-OUTLET EXHAUST AND RECIRCULATING FLOW CONFIGURATIONS TO SUIT THE NEEDS OF ANY APPLICATION
- EASY MAINTENANCE WITH ROOM SIDE REPLACEABLE FILTERS



*Removal of 99.9% of airborne Phi-X174 (virus), A. niger (mold), and P. citrinum (fungus) was demonstrated by third-party laboratory within 30 minutes when Puraflo was operated at minimum air flow setting (254 CFM), or within 15 minutes if operated at maximum airflow setting (750 CFM), in a 10'x10'x10' room at ambient temperature and humidity.

PRICE | **CRITICAL ENVIRONMENTS**

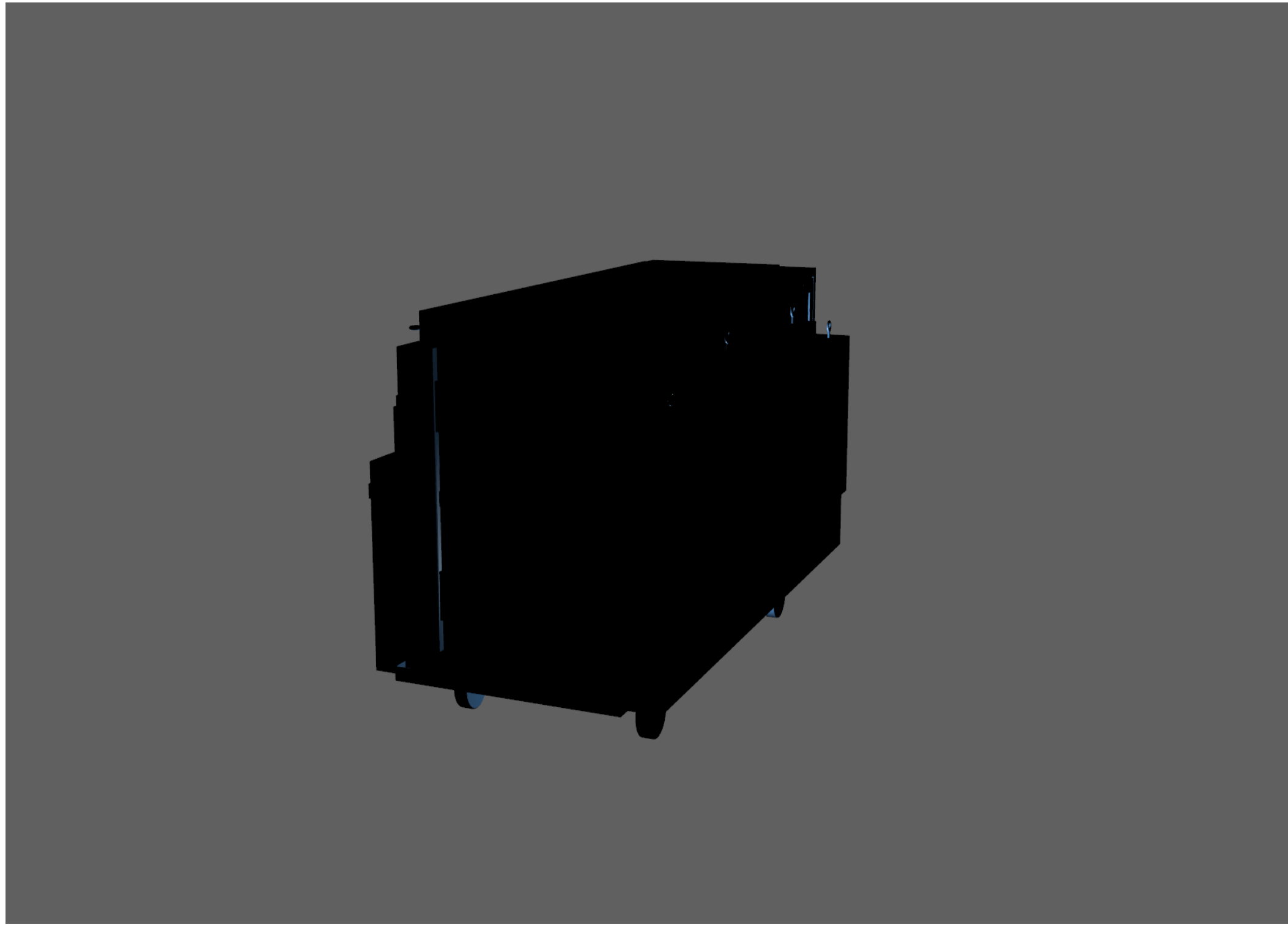
PROJECT:

272979

Revision: E

03-24-2023

CLEANROOM TECHNOLOGIES FOR COMMERCIAL APPLICATIONS
3D INTERACTIVE MODELS



PRODUCT CONFIGURATIONS
(CLICK BUTTONS TO TOGGLE VIEWS)

- USE THE SCROLL WHEEL TO ZOOM
- HOLD DOWN THE LEFT MOUSE BUTTON TO ROTATE
- HOLD DOWN CTRL AND LEFT MOUSE BUTTON TO MOVE

PROJECT:		
272979	Revision: E	03-24-2023

CLEANROOM TECHNOLOGIES FOR COMMERCIAL APPLICATIONS CONSTRUCTION DETAILS AND OPTIONS - SUPPLY

STANDARD CONSTRUCTION

- ALUMINUM PLENUM, EXTRUDED KNIFE EDGE FRAME
- GALVANIZED STEEL CONTROL BOX W/ DISCONNECT SWITCH
- 51% OPEN AREA ALUMINUM PERFORATED FACE
- FORWARD CURVED BLOWER WHEEL
- MOTOR/BLOWER ACCESSIBLE FROM ROOMSIDE AND TOPSIDE
- ROOMSIDE REMOVABLE FILTER, PACKAGED SEPARATELY FOR JOBSITE INSTALLATION BY OTHERS
- EXTRUDED ALUMINUM FILTER FRAME WITH URETHANE GEL
- WALKABLE PLENUM (250 LBS)
- STATIC PRESSURE AND AEROSOL SAMPLE PORT
- FOR SURFACE CEILING MOUNT INSTALLATION ORDER SEPARATE HGMF FRAME. SEE HGMF SUBMITTAL (271137)
- SQUARE INLET COLLAR
- MERV8 PRE-FILTER (w/ SIDE ACCESS HOUSING FOR DUCTED UNITS)

FINISH

- B12 STANDARD WHITE

INLET SIZES

- NONE (UNDUCTED)
- 10" [254mm] ROUND
- 12" [305mm] ROUND
- 14" [356mm] ROUND

FILTER

- HEPA - 2" - IEST RP CC001 TYPE J
- ULPA - 2" - IEST RP CC001 TYPE F

FAN POWER VOLTAGE

- 115V
- 208V
- 240V
- 277V

MOTOR

- PSC MOTOR, 60Hz, 1 PHASE
- EC MOTOR, 50/60 Hz, 1 PHASE

FAN CONTROLLER

- PSC MOTOR STANDARD UNIVERSAL SPEED CONTROLLER
- EC MOTOR STANDARD SPEED CONTROLLER
- BACnet FLOW CONTROLLER. MOTOR AND FILTER STATUS OVER BACnet. SEE BFC MANUAL FOR DETAILS. (EC MOTOR ONLY)

FILTER AND MOTOR STATUS LIGHTS

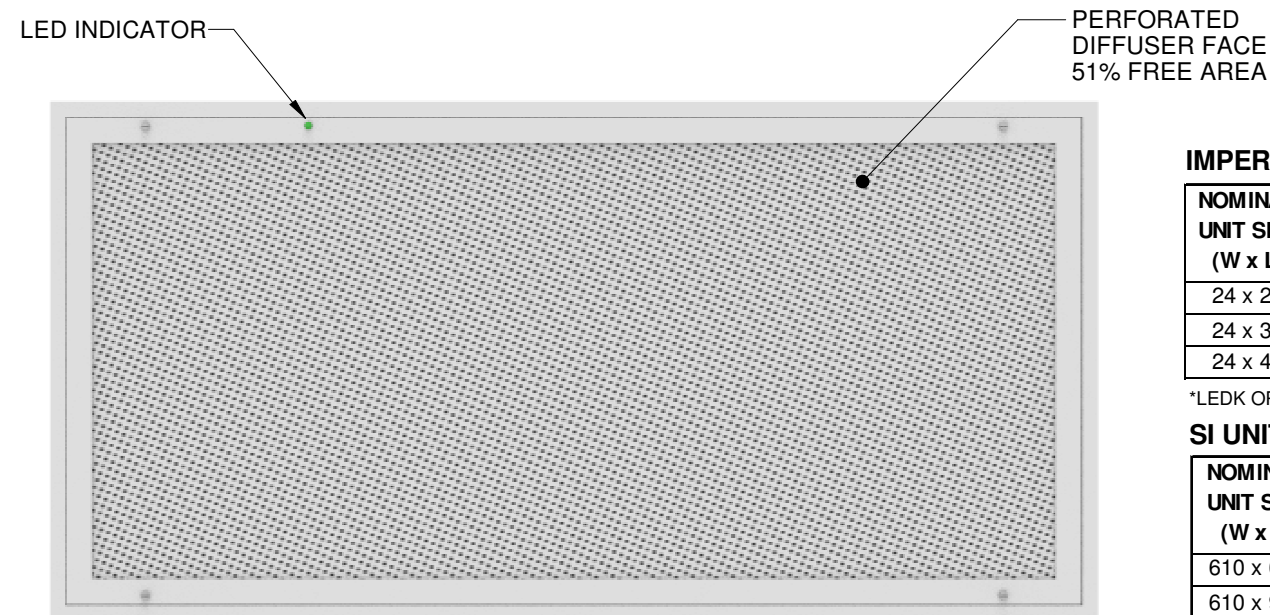
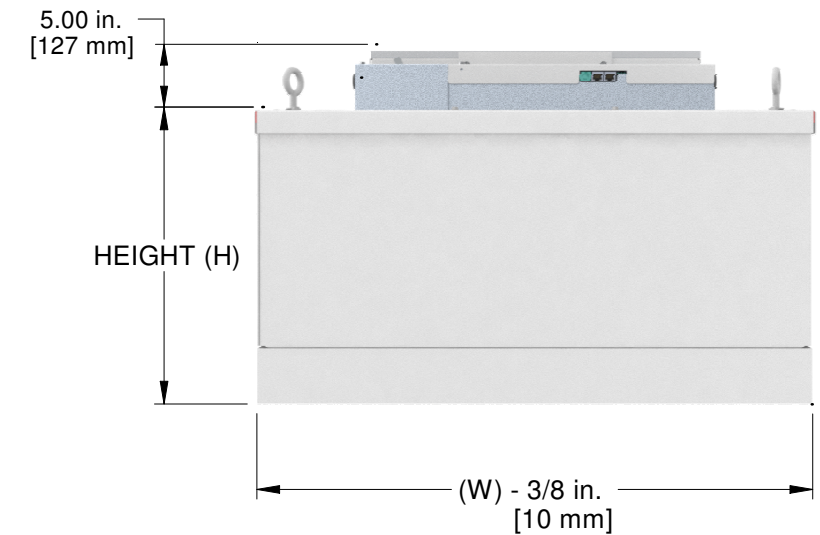
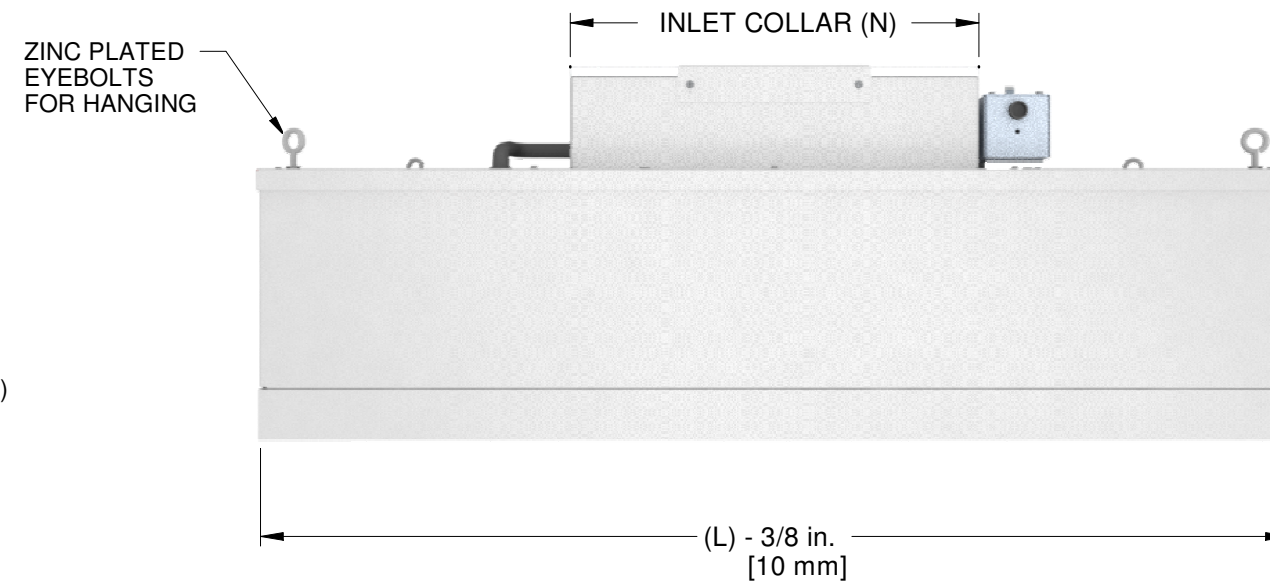
- TRI-COLOR FACE MOUNTED LED FILTER AND MOTOR STATUS LIGHT
- EC MOTOR LED INTEGRATES WITH BACnet, PSC MOTOR LED INCLUDES 6" TALL CONTROL BOX

MOTOR PROGRAM

- CONSTANT FLOW
- CONSTANT TORQUE

OPTIONS

- WALL MOUNTED SPEED CONTROL (SEE FFUCS SUBMITTAL 269849)
- POWER CORD (8ft 115V or 6ft 277V)
- ROOMSIDE + TOP ACCESSIBLE CONTROLS
- BIPOLAR IONIZATION



IMPERIAL UNITS (INCHES)

NOMINAL UNIT SIZE (W x L)	ACTUAL WIDTH	ACTUAL LENGTH	HEIGHT (H)*	INLET COLLAR (N)	MAX AMPS FAN (PSC) (115/240/277)	MAX AMPS FAN (EC) (115/240/277)
24 x 24	23.625	23.625	12.750	16.000	2.3/1.3/1.2	2.6/2.0/1.7
24 x 36	23.625	35.625	12.750	20.000	3.9/1.9/1.8	4.4/2.7/2.5
24 x 48	23.625	47.625	12.750	20.000	4.7/2.0/1.8	4.8/3.0/2.7

*LEDK OPTION WITH PSC MOTOR ADDS 6" TALL LED BOX

SI UNITS (MM)

NOMINAL UNIT SIZE (W x L)	ACTUAL WIDTH	ACTUAL LENGTH	HEIGHT (H)*	INLET COLLAR (N)	MAX AMPS FAN (PSC) (115/240/277)	MAX AMPS FAN (EC) (115/240/277)
610 x 610	600	600	324	406	2.3/1.3/1.2	2.6/2.0/1.7
610 x 915	600	905	324	508	3.9/1.9/1.8	4.4/2.7/2.5
610 x 1220	600	1210	324	508	4.7/2.0/1.8	4.8/3.0/2.7

*LEDK OPTION WITH PSC MOTOR ADDS 152 mm TALL LED BOX

PRICE | **CRITICAL ENVIRONMENTS**

PROJECT:

272979

Revision: E

03-24-2023

CLEANROOM TECHNOLOGIES FOR COMMERCIAL APPLICATIONS CONSTRUCTION DETAILS AND OPTIONS - REVERSE FLOW

STANDARD CONSTRUCTION

- ALUMINUM PLENUM, EXTRUDED KNIFE EDGE FRAME
- GALVANIZED STEEL CONTROL BOX W/ DISCONNECT SWITCH
- 51% OPEN AREA ALUMINUM PERFORATED FACE
- FORWARD CURVED BLOWER WHEEL
- MOTOR/BLOWER ACCESSIBLE FROM ROOMSIDE
- ROOMSIDE REMOVABLE FILTER, PACKAGED SEPARATELY FOR JOBSITE INSTALLATION BY OTHERS
- EXTRUDED ALUMINUM FILTER FRAME WITH URETHANE GEL
- WALKABLE PLENUM (250 LBS)
- FOR SURFACE CEILING MOUNT INSTALLATION ORDER SEPARATE HGMF FRAME. SEE HGMF SUBMITTAL (271137)
- ROUND OUTLET COLLAR
- MERV8 PRE-FILTER (FACE FRAME ACCESS)

FINISH

- B12 STANDARD WHITE

OUTLET SIZES

- 8" [203mm] ROUND
- 10" [254mm] ROUND
- 12" [305mm] ROUND

FILTER

- HEPA - 2" - IEST RP CC001 TYPE J
- ULPA - 2" - IEST RP CC001 TYPE F

FAN POWER VOLTAGE

- 115V
- 208V
- 240V
- 277V

MOTOR

- PSC MOTOR, 60Hz, 1 PHASE
- EC MOTOR, 50/60 Hz, 1 PHASE

FAN CONTROLLER

- PSC MOTOR STANDARD UNIVERSAL SPEED CONTROLLER
- EC MOTOR STANDARD SPEED CONTROLLER
- BACnet FLOW CONTROLLER. MOTOR AND FILTER STATUS OVER BACnet. SEE BFC MANUAL FOR DETAILS. (EC MOTOR ONLY)

FILTER AND MOTOR STATUS LIGHTS

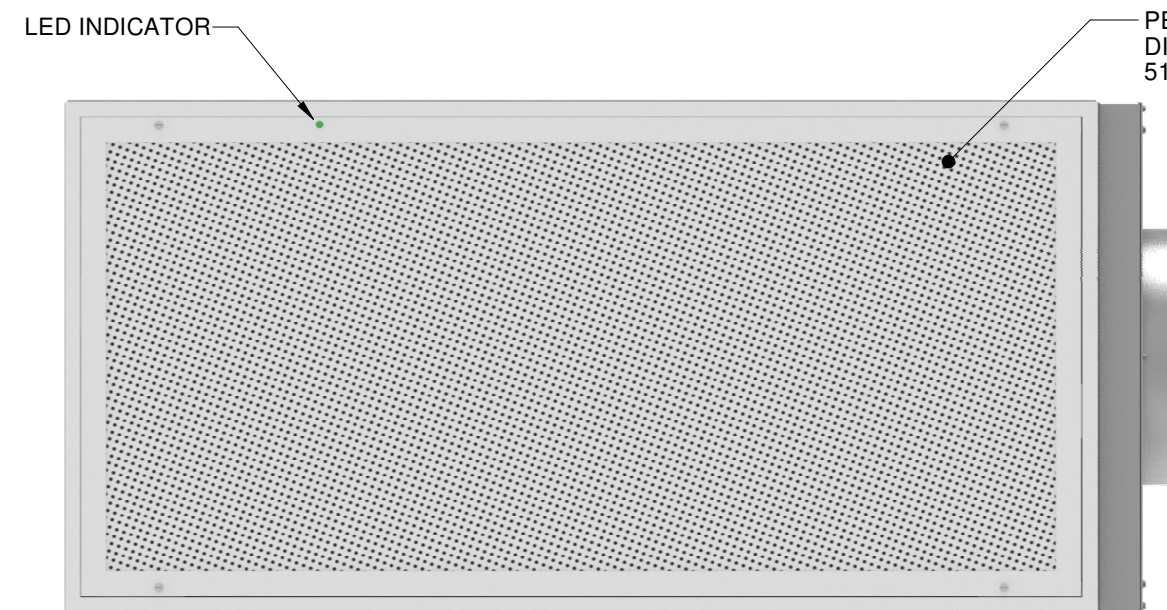
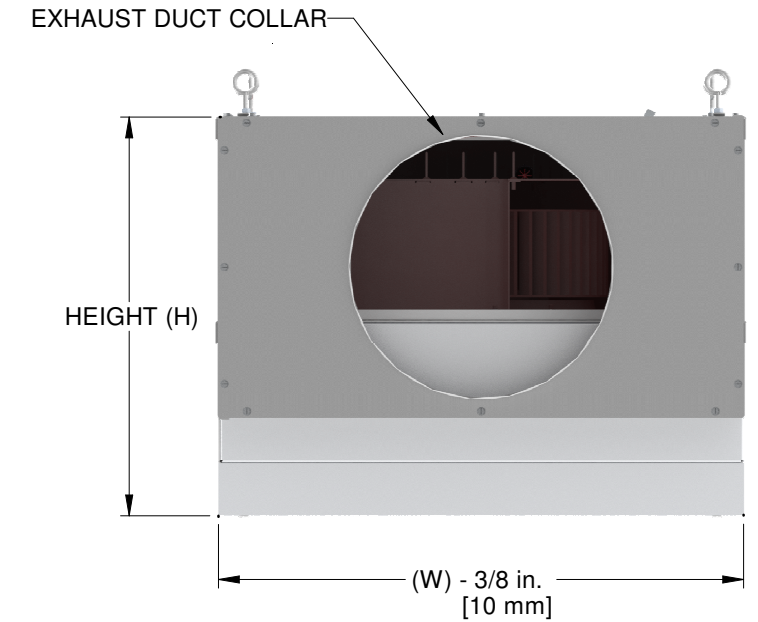
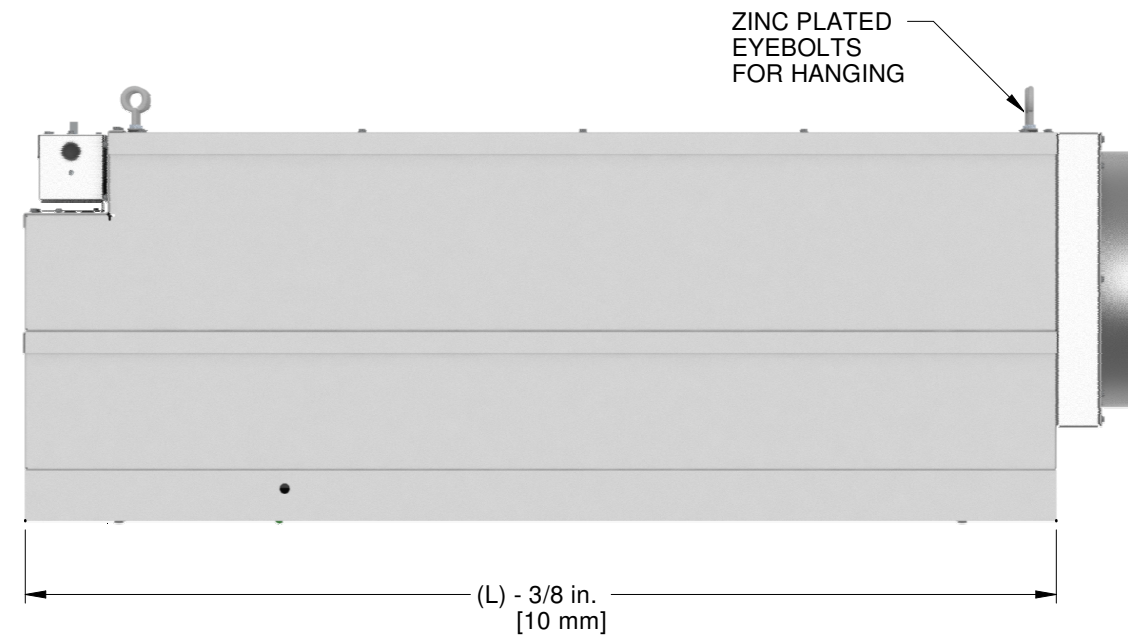
- TRI-COLOR FACE MOUNTED LED FILTER AND MOTOR STATUS LIGHT
- EC MOTOR LED INTEGRATES WITH BACnet (W/ BFC CONTROLLER ONLY)

MOTOR PROGRAM

- CONSTANT FLOW
- CONSTANT TORQUE

OPTIONS

- WALL MOUNTED SPEED CONTROL (SEE FFUCS SUBMITTAL 269849)
- POWER CORD (8ft 115V or 6ft 277V)
- BIPOLAR IONIZATION
- ULTRAVIOLET LIGHT (24x48" ONLY)
- BIPOLAR IONIZATION & ULTRAVIOLET LIGHT (24x48" ONLY)



IMPERIAL UNITS (INCHES)

NOMINAL UNIT SIZE (W x L)	ACTUAL WIDTH	ACTUAL LENGTH	HEIGHT (H)*	MAX AMPS FAN (PSC) (115/240/277)	MAX AMPS FAN (EC) (115/240/277)
24 x 24	23.625	23.625	20.500	2.8/1.3/1.3	3.1/2.0/1.7
24 x 48	23.625	47.625	18.000	5.1/2.2/2.2	4.8/3.0/2.7
24 x 48 (w/ UVC)	23.625	47.625	20.900	5.1/2.2/2.2	5.1/3.1/2.8

*LEDK OPTION WITH PSC MOTOR ADDS 6" TALL LED BOX

SI UNITS (MM)

NOMINAL UNIT SIZE (W x L)	ACTUAL WIDTH	ACTUAL LENGTH	HEIGHT (H)*	MAX AMPS FAN (PSC) (115/240/277)	MAX AMPS FAN (EC) (115/240/277)
610 x 610	600	600	521	2.8/1.3/1.3	3.1/2.0/1.7
610 x 1220	600	1210	457	5.1/2.2/2.2	4.8/3.0/2.7
610 x 1220 (w/ UVC)	600	1210	531	5.1/2.2/2.2	5.1/3.1/2.8

*LEDK OPTION WITH PSC MOTOR ADDS 152mm TALL LED BOX

PRICE | **CRITICAL ENVIRONMENTS**

PROJECT:

272979

Revision: E

03-24-2023

CLEANROOM TECHNOLOGIES FOR COMMERCIAL APPLICATIONS CONSTRUCTION DETAILS AND OPTIONS - DUAL-OUTLET EXHAUST & RECIRCULATING OUTLETS

STANDARD CONSTRUCTION

- ALUMINUM PLENUM, EXTRUDED KNIFE EDGE FRAME
- GALVANIZED STEEL CONTROL BOX W/ DISCONNECT SWITCH
- 51% OPEN AREA ALUMINUM PERFORATED FACE
- FORWARD CURVED BLOWER WHEEL
- MOTOR/BLOWER ACCESSIBLE FROM ROOMSIDE
- ROOMSIDE REMOVABLE FILTER, PACKAGED SEPARATELY FOR JOBSITE INSTALLATION BY OTHERS
- EXTRUDED ALUMINUM FILTER FRAME WITH URETHANE GEL
- WALKABLE PLENUM (250 LBS)
- FOR SURFACE CEILING MOUNT INSTALLATION ORDER SEPARATE HGMF FRAME. SEE HGMF SUBMITTAL (271137)
- ROUND EXHAUST AND RECIRCULATING OUTLETS
- MERV8 PRE-FILTER (FACE FRAME ACCESS)

FINISH

- B12 STANDARD WHITE

PRIMARY DUCT

- 8" [203mm] ROUND RECIRCULATION DUCT COLLAR
- 10" [254mm] ROUND RECIRCULATION DUCT COLLAR
- 12" [305mm] ROUND RECIRCULATION DUCT COLLAR (w/ 8" [203mm] EXHAUST DUCT COLLAR ONLY)

SECONDARY DUCT

- 8" [203mm] ROUND EXHAUST DUCT COLLAR (w/ MANUAL DAMPER)
- 10" [254mm] ROUND EXHAUST DUCT COLLAR (w/ MANUAL DAMPER)

FILTER

- HEPA - 2" - IEST RP CC001 TYPE J
- ULPA - 2" - IEST RP CC001 TYPE F

FAN POWER VOLTAGE

- 115V
- 208V
- 240V
- 277V

MOTOR

- PSC MOTOR, 60Hz, 1 PHASE
- EC MOTOR, 50/60 Hz, 1 PHASE

FAN CONTROLLER

- PSC MOTOR STANDARD UNIVERSAL SPEED CONTROLLER
- EC MOTOR STANDARD SPEED CONTROLLER
- BACnet FLOW CONTROLLER. MOTOR AND FILTER STATUS OVER BACnet. SEE BFC MANUAL FOR DETAILS. (EC MOTOR ONLY)

FILTER AND MOTOR STATUS LIGHTS

- TRI-COLOR FACE MOUNTED LED FILTER AND MOTOR STATUS LIGHT
- EC MOTOR LED INTEGRATES WITH BACnet (W/ BFC CONTROLLER ONLY)

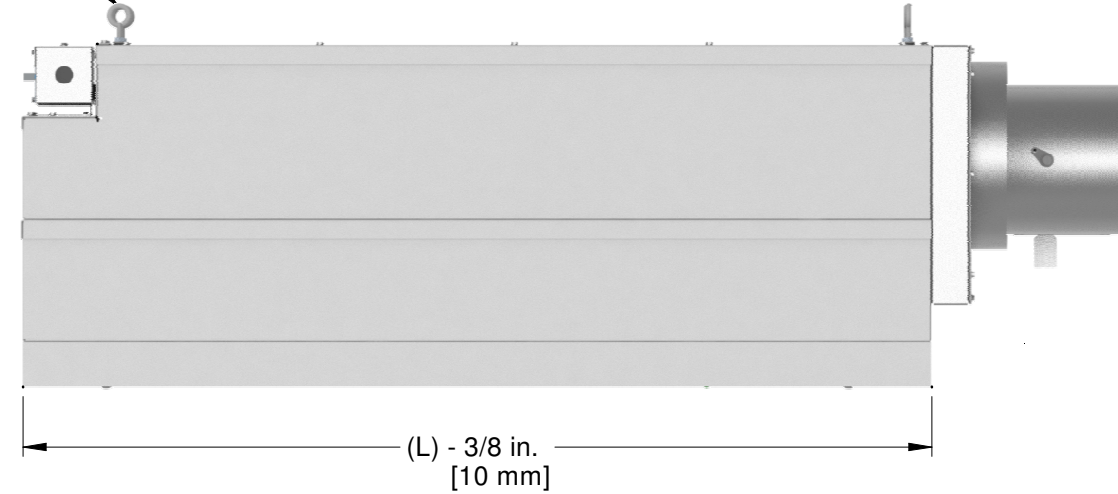
MOTOR PROGRAM

- CONSTANT FLOW
- CONSTANT TORQUE

OPTIONS

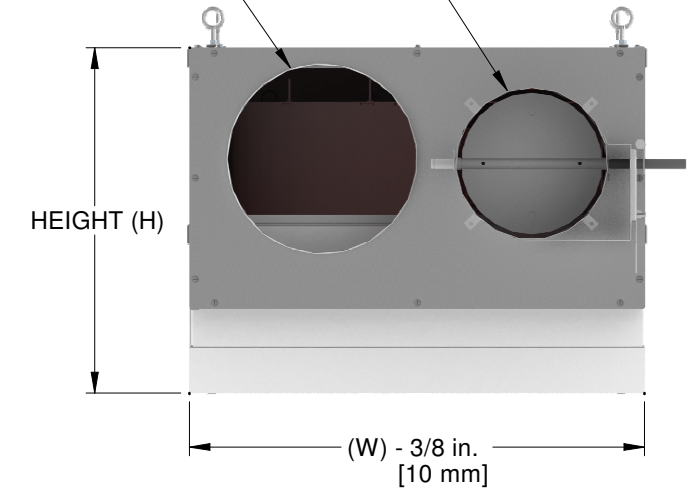
- WALL MOUNTED SPEED CONTROL (SEE FFUCS SUBMITTAL 269849)
- POWER CORD (8ft 115V or 6ft 277V)
- BIPOLAR IONIZATION
- ULTRAVIOLET LIGHT (24x48" ONLY)
- BIPOLAR IONIZATION & ULTRAVIOLET LIGHT (24x48" ONLY)

ZINC PLATED EYEBOLTS FOR HANGING

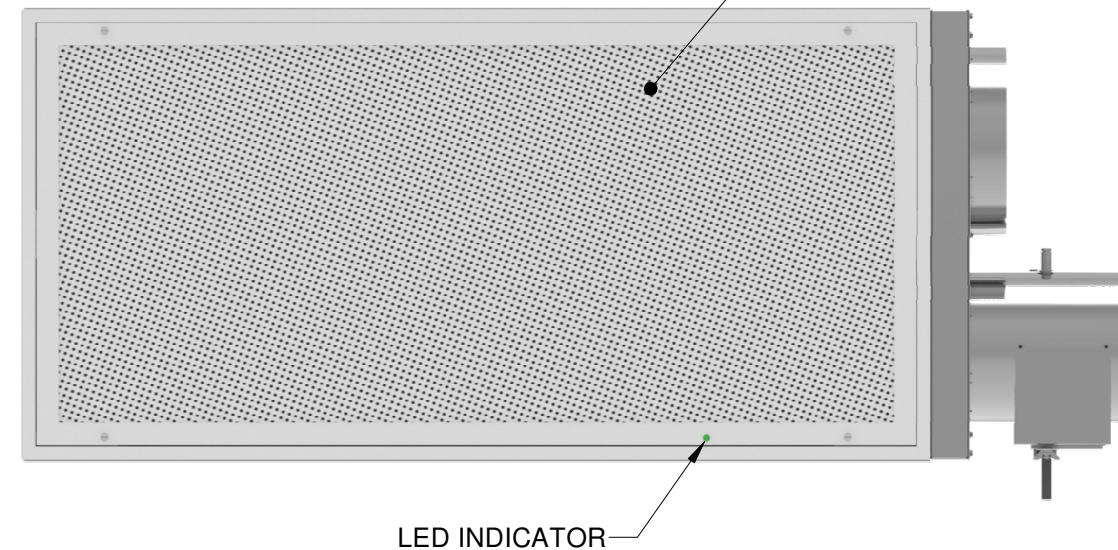


RECIRCULATION DUCT COLLAR

EXHAUST DUCT COLLAR WITH MANUAL DAMPER



PERFORATED DIFFUSER FACE 51% FREE AREA



LED INDICATOR

IMPERIAL UNITS (INCHES)

NOMINAL UNIT SIZE (W x L)	ACTUAL WIDTH	ACTUAL LENGTH	HEIGHT (H)*	MAX AMPS FAN (PSC) (115/240/277)	MAX AMPS FAN (EC) (115/240/277)
24 x 24	23.625	23.625	20.500	2.8/1.3/1.3	3.1/2.0/1.7
24 x 48	23.625	47.625	18.000	5.1/2.2/2.2	4.8/3.0/2.7
24 x 48 (w/ UVC)	23.625	47.625	20.900	5.1/2.2/2.2	5.1/3.1/2.8

*LEDK OPTION WITH PSC MOTOR ADDS 6" TALL LED BOX

SI UNITS (MM)

NOMINAL UNIT SIZE (W x L)	ACTUAL WIDTH	ACTUAL LENGTH	HEIGHT (H)*	MAX AMPS FAN (PSC) (115/240/277)	MAX AMPS FAN (EC) (115/240/277)
610 x 610	600	600	521	2.8/1.3/1.3	3.1/2.0/1.7
610 x 1220	600	1210	457	5.1/2.2/2.2	4.8/3.0/2.7
610 x 1220 (w/ UVC)	600	1210	531	5.1/2.2/2.2	5.1/3.1/2.8

*LEDK OPTION WITH PSC MOTOR ADDS 152mm TALL LED BOX

PRICE | **CRITICAL ENVIRONMENTS**

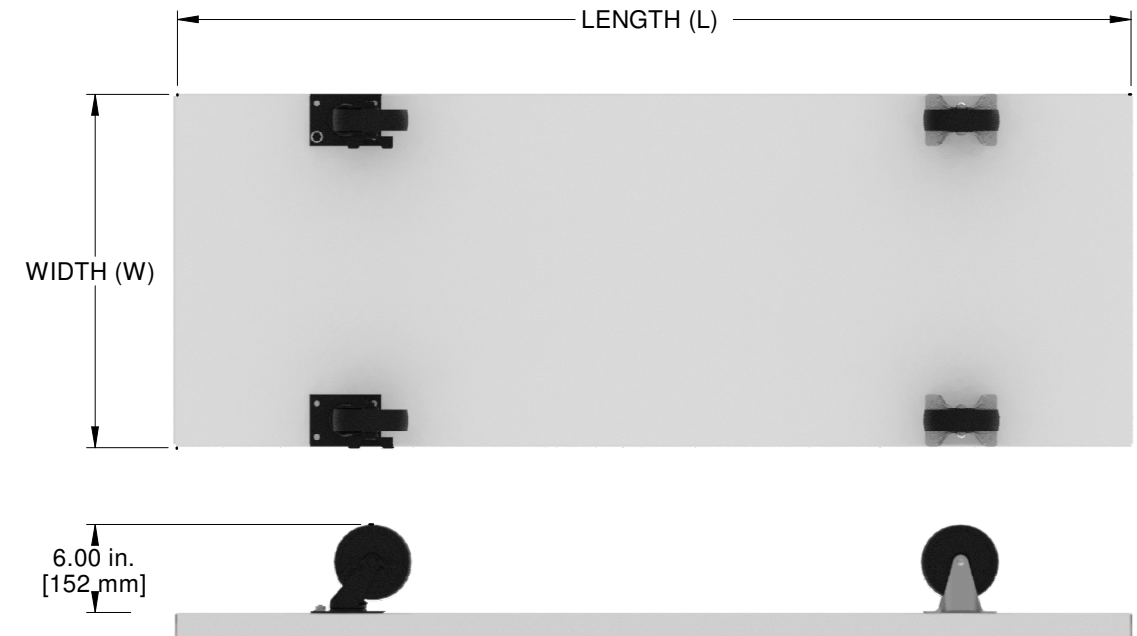
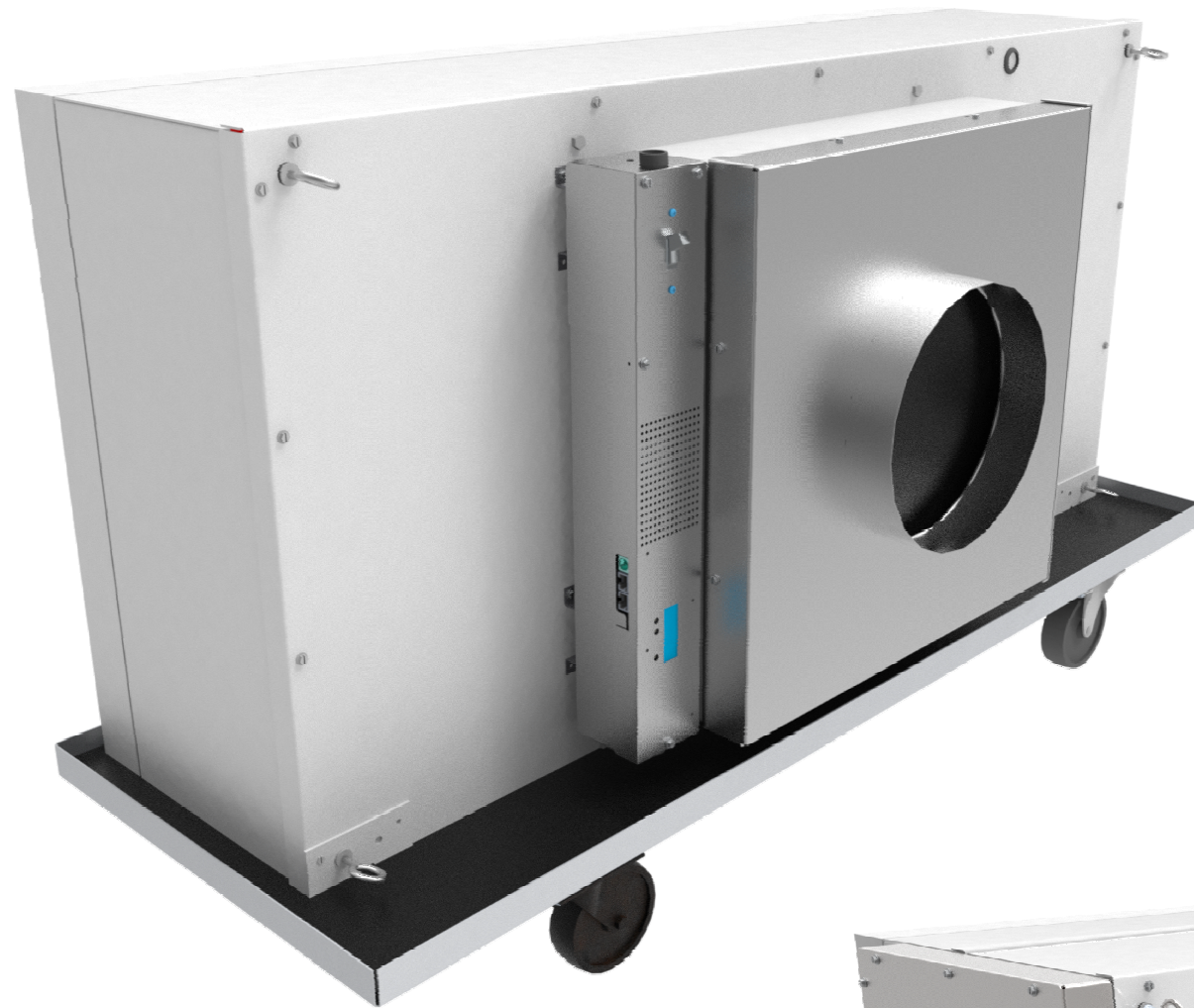
PROJECT:

272979

Revision: E

03-24-2023

CLEANROOM TECHNOLOGIES FOR COMMERCIAL APPLICATIONS CONSTRUCTION DETAILS - PORTABLE CART



IMPERIAL UNITS (INCHES)

NOMINAL UNIT SIZE	CONFIGURATION	WIDTH (W)	LENGTH (L)
24 x 24 in.	SUPPLY	18.48	26.23
24 x 24 in.	EXHAUST / DUAL OUTLET	20.98	26.23
24 x 36 in.	SUPPLY	18.48	38.23
24 x 48 in.	SUPPLY	18.48	50.23
24 x 48 in.	EXHAUST / DUAL OUTLET	18.48	50.23
24 x 48 in.	UVC OPTION	21.42	50.23

SI UNITS (MM)

NOMINAL UNIT SIZE	CONFIGURATION	WIDTH (W)	LENGTH (L)
610 x 610	SUPPLY	469	666
610 x 610	EXHAUST / DUAL OUTLET	533	666
610 x 915	SUPPLY	469	971
610 x 1220	SUPPLY	469	1275
610 x 1220	EXHAUST / DUAL OUTLET	469	1275
610 x 1220	UVC OPTION	544	1275

STANDARD CONSTRUCTION

- TWO RIGID & TWO LOCKING CASTOR WHEELS PER CART
- INSULATION BETWEEN THE UNIT AND THE METAL CART
- STEEL CONSTRUCTION

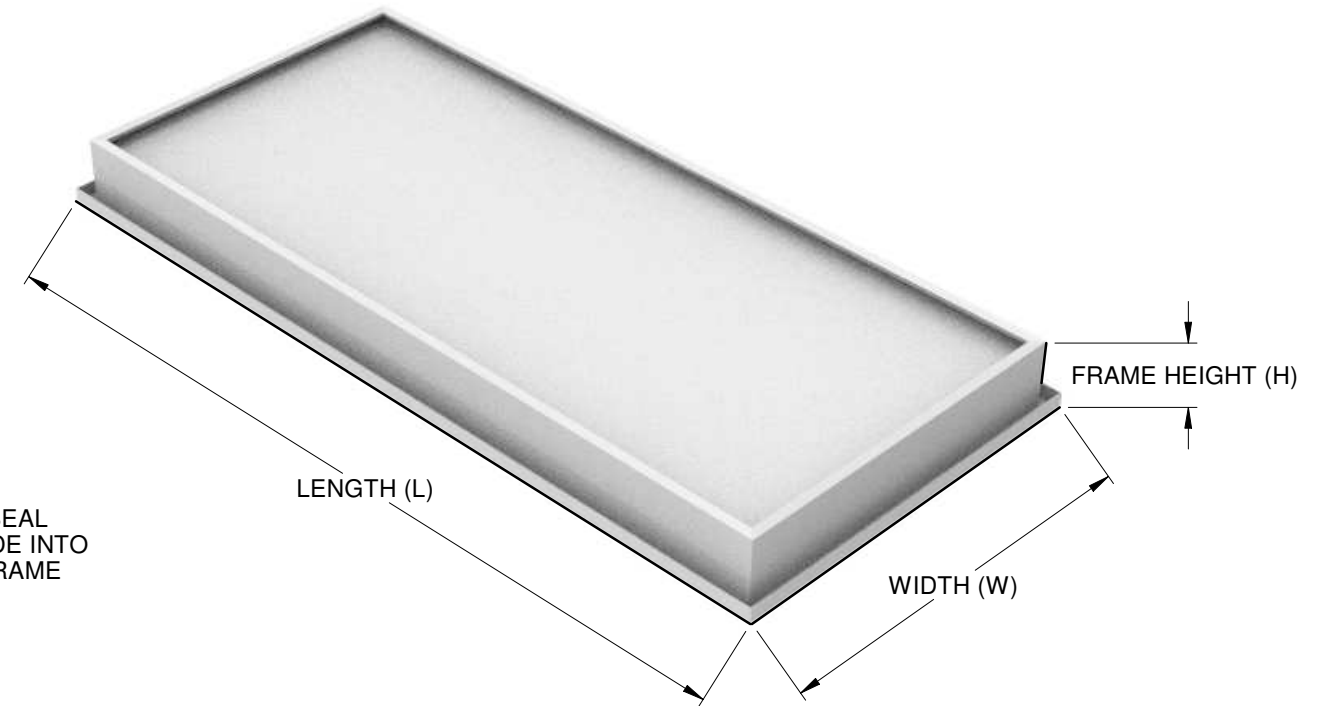
PRICE | **CRITICAL ENVIRONMENTS**

PROJECT:

272979

Revision: E

03-24-2023



FILTER WITH GEL SEAL
INSTALLS ROOMSIDE INTO
FFU KNIFE EDGE FRAME

NOTES

- FILTER PLEATS RUN PARALLEL TO THE WIDTH (W) DIMENSION
- DIMENSIONS L & W TOLERANCES $\pm \frac{1}{16}$ "
- FILTERS COME WITH GEL SEAL FILLED CHANNEL
- EXPANDED PAINTED WHITE SCREEN ON THE DOWNSTREAM SIDE
- FRAME DETAILS:
 - MATERIAL: ANODIZED EXTRUDED ALUMINUM
 - THICKNESS: $\frac{1}{16}$ " (MINIMUM)
- HEPA FILTERS EFFICIENCY AND LEAK SCAN TESTED TO IEST RP CC001 TYPE J
- HEPA FILTERS EFFICIENCY AND LEAK SCAN TESTED TO IEST RP CC001 TYPE F
- FILTER PACKAGED SEPERATELY FROM DIFFUSER FOR JOB SITE INSTALLATION BY OTHERS
- MERV8 PRE-FILTER IS ROOM-SIDE REPLACEABLE ON EXHAUST UNITS AND CEILING ACCESSIBLE ON SUPPLY UNITS

IMP UNITS (INCHES)

NOMINAL UNIT SIZE	ACTUAL FILTER SIZE		
	WIDTH (W)	LENGTH (L)	HEIGHT (H)
24 x 24	20.69	20.69	2.88
24 x 36	20.69	32.69	2.88
24 x 48	20.69	44.69	2.88

SI UNITS (MM)

NOMINAL UNIT SIZE	ACTUAL FILTER SIZE		
	WIDTH (W)	LENGTH (L)	HEIGHT (H)
610 x 610	526	526	73
610 x 915	526	830	73
610 x 1220	526	1135	73



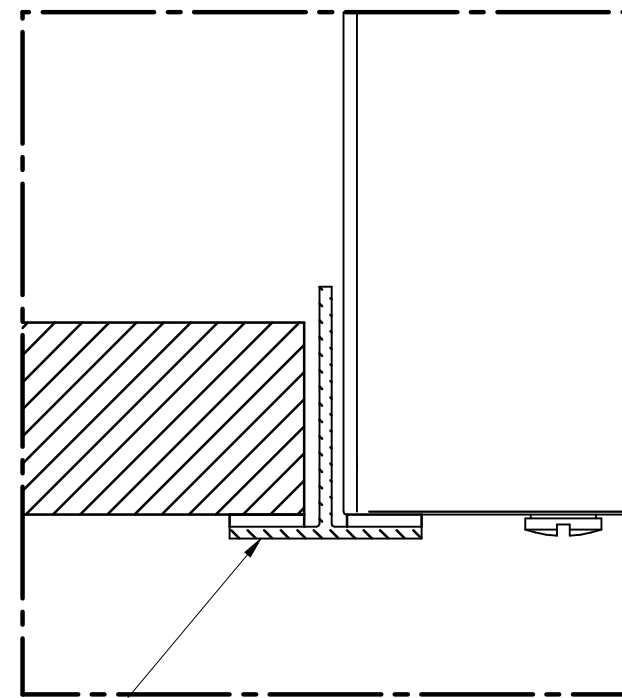
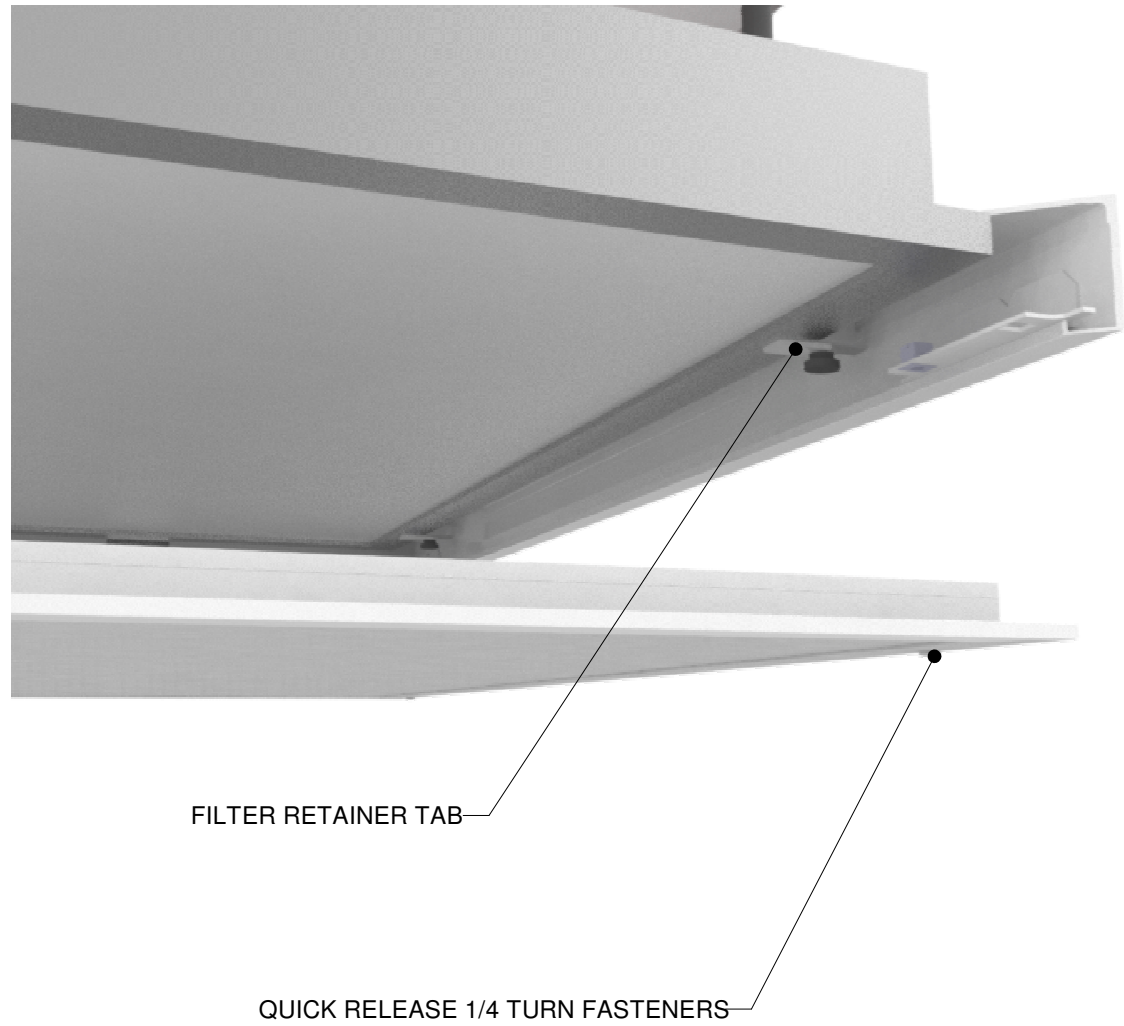
PROJECT:

272979

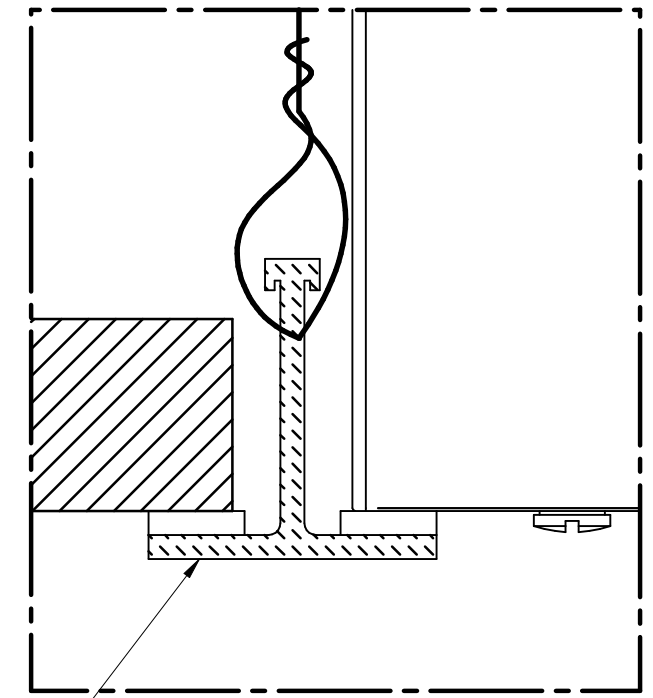
Revision: E

03-24-2023

CLEANROOM TECHNOLOGIES FOR COMMERCIAL APPLICATIONS FILTER & CEILING MOUNT DETAILS



FOR 15/16" (23), 1-1/2" (38) CLEANROOM TEE
INSTALLED BY OTHERS



SURFACE MOUNTING
USING HGMF OR MOUNTING FRAME
BY OTHERS

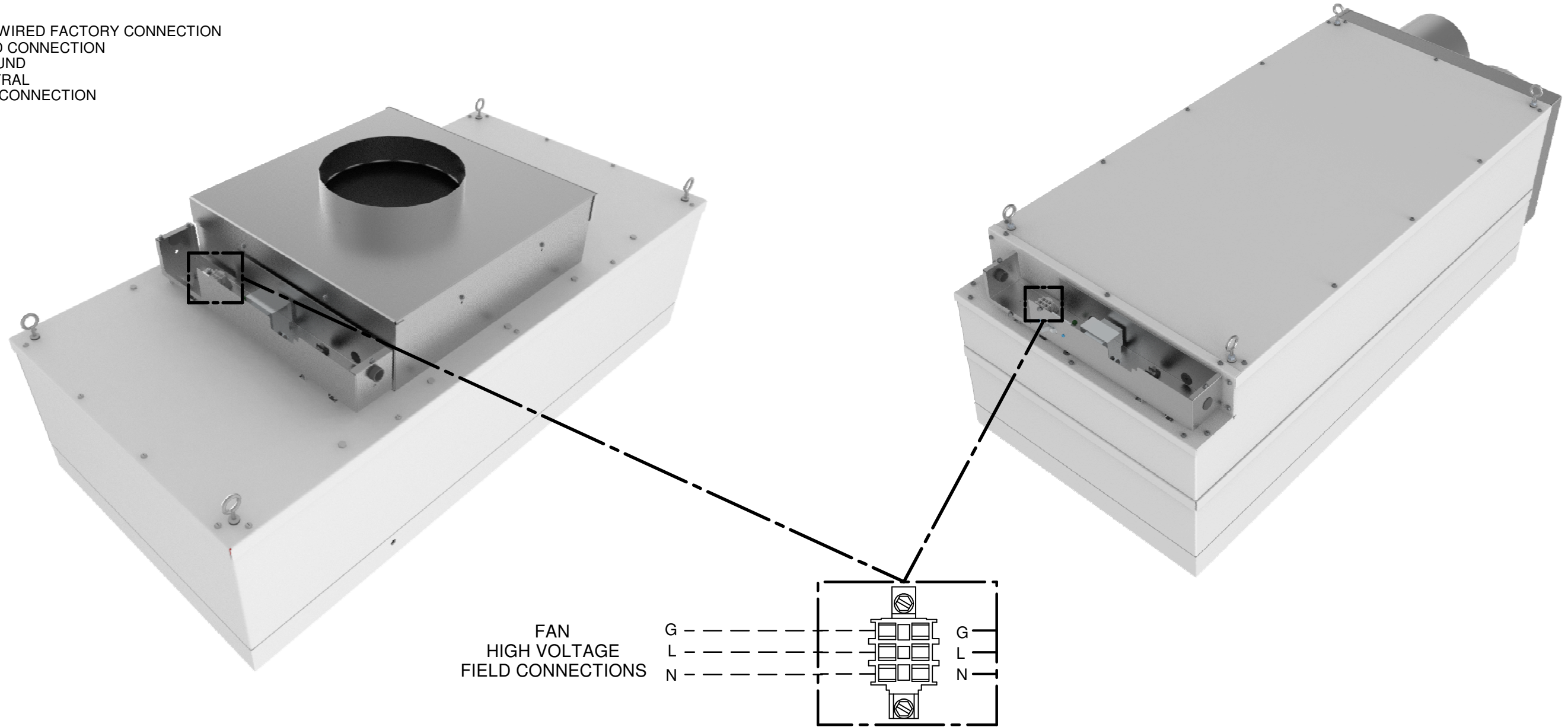
NOTES:

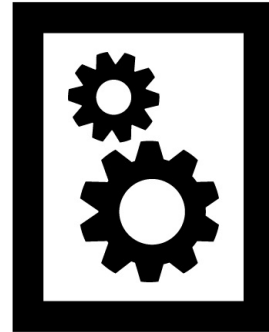
- LAY IN CEILING INSTALLATION ONLY. UNIT SIZE DESIGNED FOR 1" WIDE T-BAR OR 1.5" WIDE T-BAR.
- FOR SURFACE MOUNT INSTALLATION ORDER SEPARATE HOSPITAL GRADE MOUNTING FRAME. SEE HGMF SUBMITTAL HERE.

VISIT PRICE INDUSTRIES WEBSITE FOR FILTER QUICK START GUIDE
<https://www.priceindustries.com/content/uploads/assets/literature/manuals/section%20e/ptr-room-side-replaceable-filter-rsr-quick-start-guide.pdf>

CLEANROOM TECHNOLOGIES FOR COMMERCIAL APPLICATIONS FIELD CONNECTION DETAILS

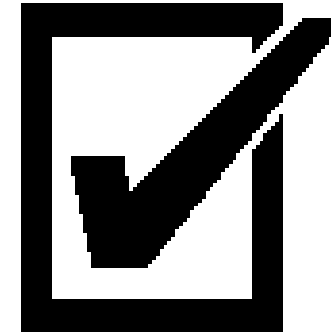
——— PRE-WIRED FACTORY CONNECTION
 - - - - - FIELD CONNECTION
 G GROUND
 N NEUTRAL
 L LINE CONNECTION





MANUALS

- FFU/PURAFLO INSTALLATION MANUAL
- FFU/PURAFLO WIRING DIAGRAMS
- BFC BACnet FLOW CONTROLLER MANUAL
- BACnet WIRING GUIDELINES FOR PRICE CONTROLS MANUAL
- BIPOLAR IONIZATION MANUAL
- UVC MANUAL



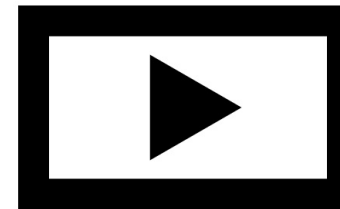
SUBMITTALS

- PURAFLO RETROFIT ACCESSORIES SUBMITTAL
- HGMF HOSPITAL GRADE MOUNTING FRAME SUBMITTAL



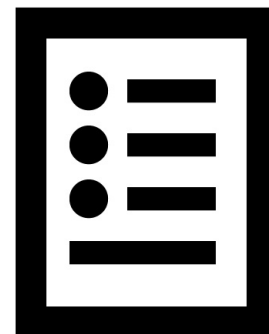
CATALOG / PERFORMANCE

- PURAFLO CLEANROOM TECHNOLOGIES FOR COMMERCIAL APPLICATIONS CATALOG
- PURAFLO CLEANROOM TECHNOLOGIES FOR COMMERCIAL APPLICATIONS PERFORMANCE DATA



VIDEOS

- HIGH PERFORMANCE MANUFACTURING ON CRITICAL ENVIRONMENTS PRODUCTS
- BFC BACnet FLOW CONTROLLER START-UP GUIDE AND BASICS



SPECIFICATIONS

- PURAFLO SUPPLY SPECIFICATION
- PURAFLO REVERSE FLOW SPECIFICATION
- PURAFLO DUAL-OUTLET EXHAUST AND RECIRCULATION SPECIFICATION



FOR MORE INFORMATION ON PURAFLO, VISIT [PRICEINDUSTRIES.COM](https://www.priceindustries.com)