

HE / HEPA / ULPA FILTER

ROOM-SIDE REMOVABLE FILTER (RSR) INSTALLATION INSTRUCTIONS

Filters should be installed in teams of 2 or 3 installers, with 1 or 2 installers on the floor unpacking the filters, as they are needed. The filters should then be handed to the filter installers, who work on scaffolding or ladders (as applicable).

EXTREME CAUTION SHOULD BE TAKEN TO AVOID CONTACT WITH MEDIA

STEP 1: UNPACK FILTER



A) CAREFULLY CUT OPEN BOX AND REMOVE INNER FILTER PACKAGING. AVOID APPLYING PRESSURE TO FILTER WHILE HANDLING PACKAGING.



B) PLACE UNIT ON FLAT SURFACE OR TABLE AND OPEN INNER PACKAGING.



C) CUT PLASTIC BAG AND REMOVE WITH CARE.



D) TO HANDLE THE FILTER, GRASP IT BY THE FRAME ONLY.

WARNING!

TOUCHING FILTER MEDIA WILL RESULT IN DAMAGE TO THE MEDIA THAT WILL AFFECT THE PERFORMANCE OF THE FILTER

Damage to filters occurring during or after installation and leak qualification testing failures. The filters supplied by Price have been 100% tested and certified by the manufacturer to be free of defects and leaks. Price cannot accept responsibility for damage that occurs after shipment, whether through transit, handling or installation, and will not replace filters under our standard warranty.

HE / HEPA / ULPA FILTER

ROOM-SIDE REMOVABLE FILTER (RSR) INSTALLATION INSTRUCTIONS

STEP 2: PREPARE FILTER FOR INSTALLATION

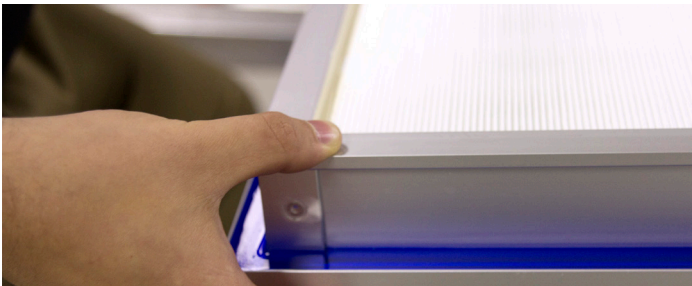


A) LOOSEN CAM LOCKS.



B) NOTE LOCATION OF FILTER ALIGNMENT GUIDE (MINIMUM ONE PER SIDE, DEPENDENT ON SIZE).

STEP 3: PLACING THE FILTER

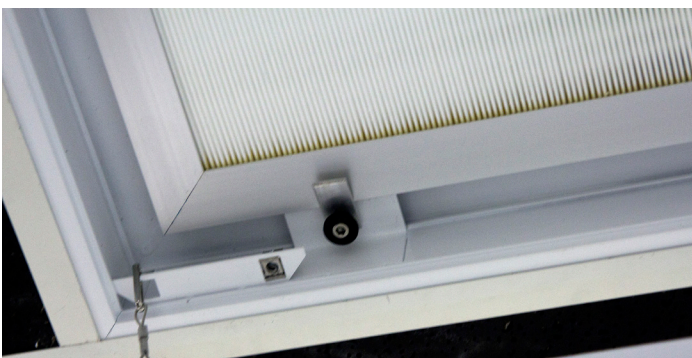


A) USING TWO PEOPLE AND BEING CAREFUL NOT TO CONTACT FILTER MEDIA RAISE THE FILTER INTO PLACE.

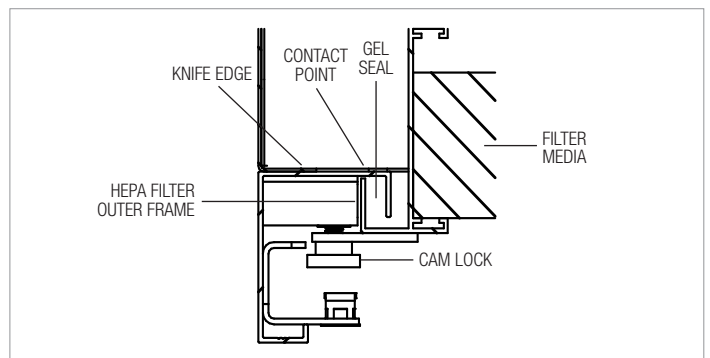


B) ENSURE KNIFE EDGE OF PLENUM SEATS INTO GEL CHANNEL. USE GUIDES TO ASSIST WITH PROPER KNIFE EDGE ALIGNMENT.

STEP 4: INSTALLING THE FILTER



A) SECURE FILTER INTO PLACE USING FOUR CAM LOCKS. TIGHTEN UNTIL NO FURTHER ROTATIONS CAN BE MADE.



B) TO ENSURE YOUR HEPA FILTER IS SEATED PROPERLY, THE HEPA FILTER OUTER FRAME MUST BE IN CONTACT WITH THE HORIZONTAL FRAME OF THE KNIFE EDGE EXTRUSION. NOTE THAT DIFFUSER KNIFE EDGE CANNOT BOTTOM OUT IN HEPA FILTER GEL SEAL.

**FOR ASSISTANCE, PLEASE CONTACT THE PRICE APPLICATIONS ENGINEERING TEAM
BY PHONE AT (204) 654-5613 OPTION 5 OR BY EMAIL AT CRITICALENVIRONMENTS@PRICEINDUSTRIES.COM**

To reorder new filters please contact your local Price Sales Representative at
www.priceindustries.com/criticalenvironments/contact