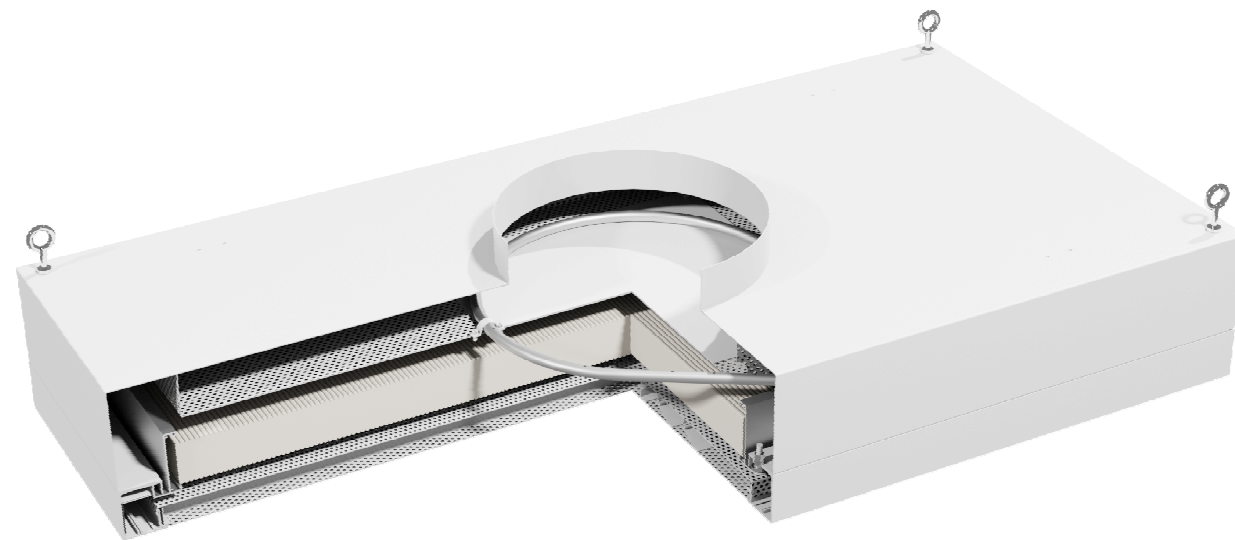


# FRFDC

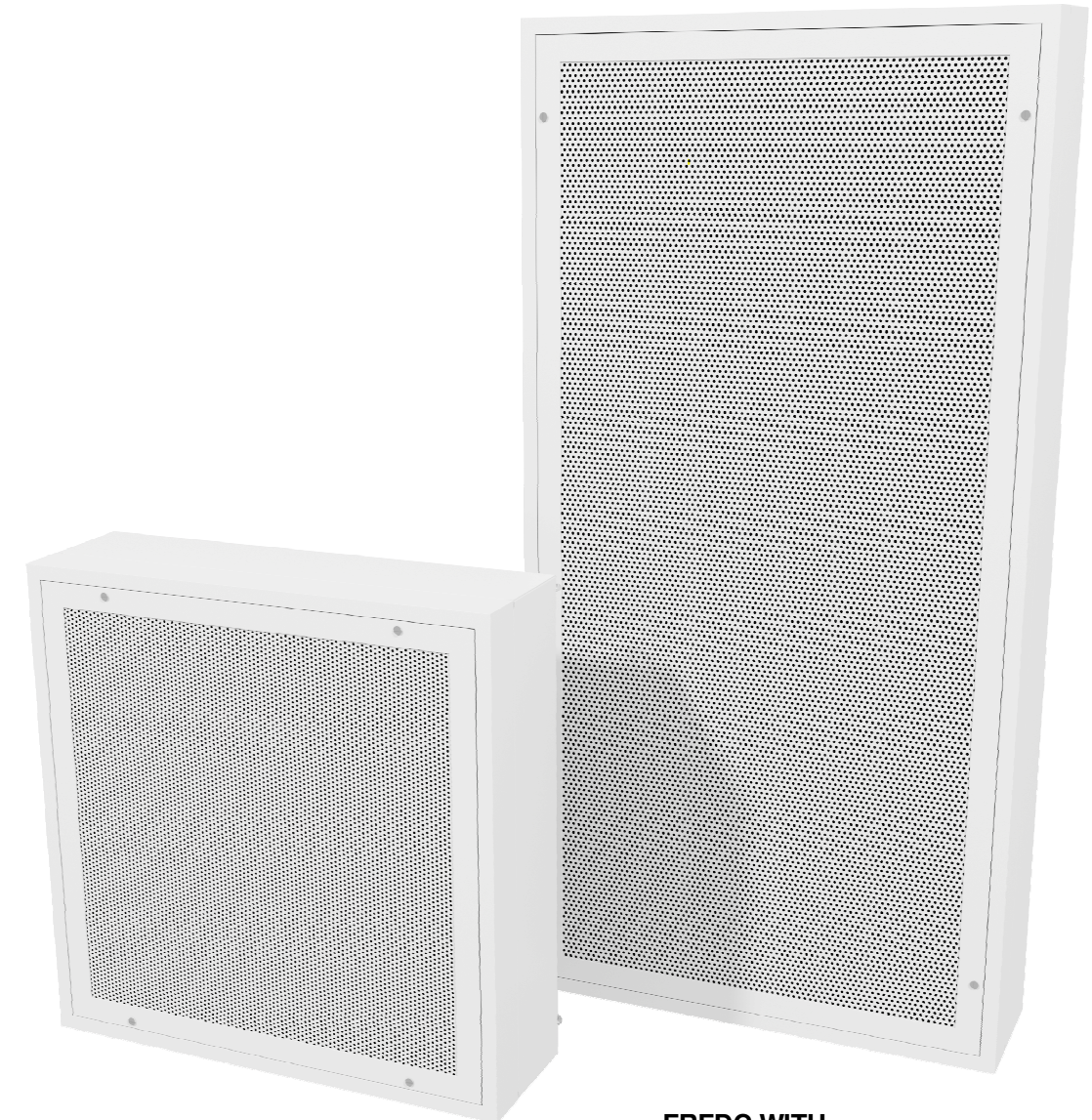
## FLUSH FACE RADIAL FLOW DIFFUSER WITH HEPA FILTER

### FEATURES:

- THE FRFDC IS DESIGNED TO PROVIDE HIGH-CAPACITY FILTERED AIRFLOW WITH A FULL RADIAL AIRFLOW PATTERN, LOW INITIAL FACE VELOCITY, AND MINIMAL ENTRAINMENT OF ROOM AIR.
- RADIAL FLOW DIFFUSERS ARE COMMONLY USED IN LABORATORIES AND AIRBORNE INFECTIOUS ISOLATION ROOMS WHERE SHORT THROW AND HIGH CAPACITY, FILTERED AIRFLOW ARE REQUIRED TO PROVIDE A HIGH LEVEL OF DILUTION WHILE MAINTAINING OCCUPANT COMFORT.
- THE FLUSH FACE DESIGN PREVENTS INTERFERENCE WITH CEILING MOUNTED EQUIPMENT AND IS AVAILABLE WITH ANGLED DEFLECTOR VANES OR A PERFORATED FACE.
- ROOM-SIDE REPLACEABLE HEPA FILTER REMOVES 99.99% OF AIRBORNE CONTAMINANTS
- AEROSOL SAMPLE AND STATIC PRESSURE PORT AND OPTIONAL AEROSOL INJECTION PORT FACILITATE ROOM-SIDE AEROSOL CHALLENGE OF THE DIFFUSER



FRFDC WITH  
AEROSOL TEST  
SYSTEM (ATS)



FRFDC WITH  
PERFORATED FACE

**PRICE** | **CRITICAL ENVIRONMENTS**

PROJECT:

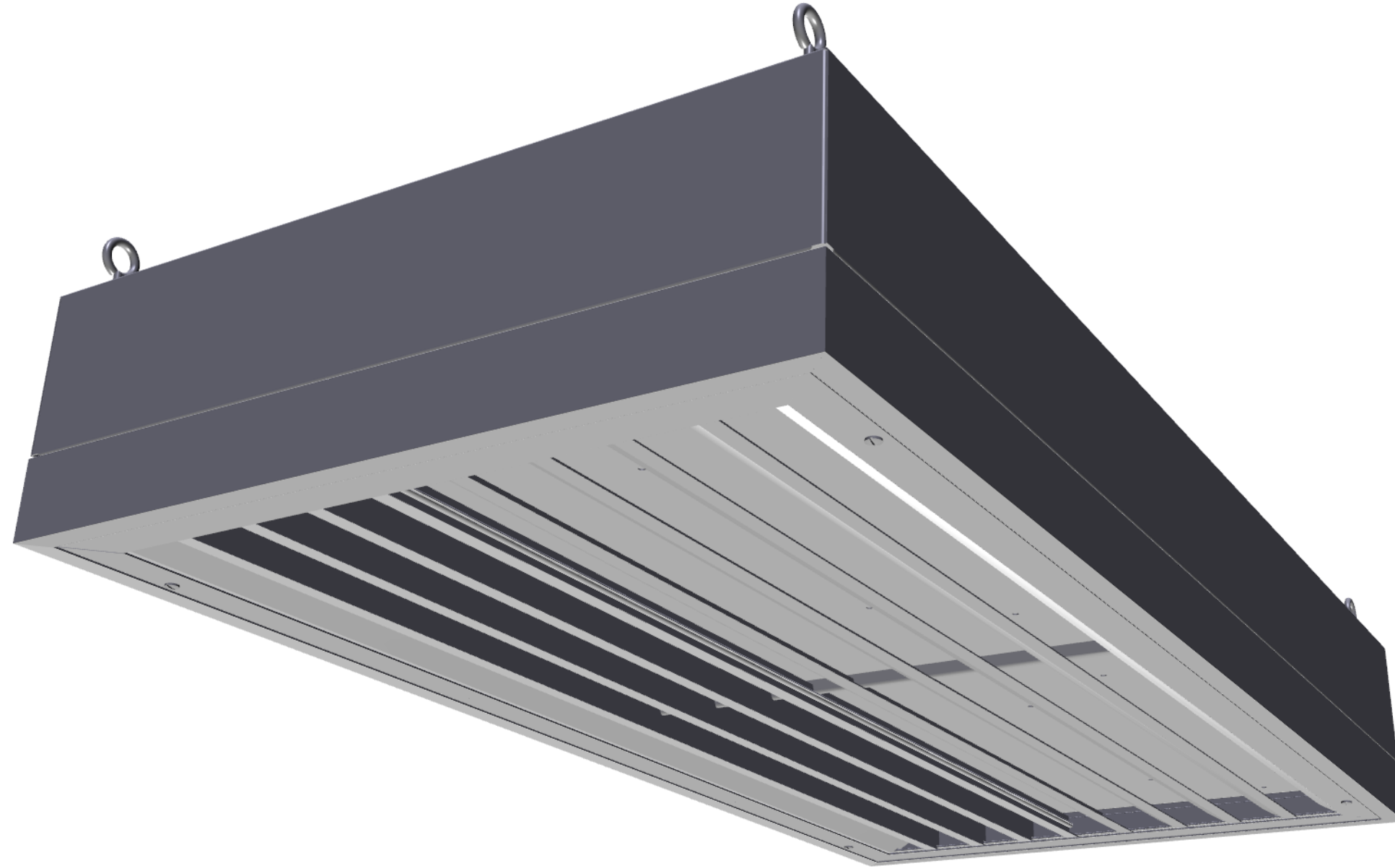
274675

Revision: A

04-06-2023

**FRFDC** <sup>360°</sup>

**FLUSH FACE RADIAL FLOW DIFFUSER WITH HEPA FILTER**  
**3D INTERACTIVE MODELS**



**PRODUCT CONFIGURATIONS**  
(CLICK BUTTONS TO TOGGLE VIEWS)

- USE THE SCROLL WHEEL TO ZOOM
- HOLD DOWN THE LEFT MOUSE BUTTON TO ROTATE
- HOLD DOWN CTRL AND LEFT MOUSE BUTTON TO MOVE

**PRICE** | **CRITICAL ENVIRONMENTS**

PROJECT:

274675

Revision: A

04-06-2023

# FRFDC

## FLUSH FACE RADIAL FLOW DIFFUSER WITH HEPA FILTER CONSTRUCTION DETAILS AND OPTIONS

### IMPERIAL UNITS (INCHES)

NOMINAL UNIT SIZE (W x L)	ACTUAL WIDTH	ACTUAL LENGTH	FILTER AREA (sq.ft.)
24 X 48	23.625	47.625	5.3
24 X 24	23.625	23.625	2.3

### SI UNITS (MM)

NOMINAL UNIT SIZE (W x L)	ACTUAL WIDTH	ACTUAL LENGTH	FILTER AREA (m <sup>2</sup> )
610 x 1220	600	1210	0.49
610 x 610	600	600	0.21

### STANDARD CONSTRUCTION

- PLENUM SEALED WITH ADHESIVE SEALANT
- SPOT WELDED PLENUM SEAMS
- CONTINUOUSLY WELDED VERTICAL AND HORIZONTAL KNIFE EDGE SEAMS
- EXTRUDED ALUMINUM FILTER FRAME WITH URETHANE GEL
- STATIC PRESSURE AND AEROSOL SAMPLE PORT
- TWO STAINLESS STEEL RETAINER CABLES PER UNIT
- FACTORY TOLERANCE +/-  $\frac{1}{32}$ "

### PLENUM CONSTRUCTION

- ALUMINUM PLENUM, EXTRUDED KNIFE EDGE FRAME
- STAINLESS STEEL - 304 PLENUM & KNIFE EDGE FRAME

### FACE CONSTRUCTION

- ALUMINUM - PERFORATED PANEL AND EXTRUDED INNER FRAME
- STAINLESS STEEL - 304 PERFORATED PANEL AND INNER FRAME

### PLENUM FINISH

- B12 STANDARD WHITE
- STAINLESS STEEL - 2B PLENUM & STAINLESS STEEL #4 KNIFE EDGE
- B25 CUSTOM MATCHED COLOR

### FACE AND FRAME FINISH

- B12 STANDARD WHITE
- #4 BRUSHED STAINLESS (ONLY AVAILABLE WITH STAINLESS FACE)
- B25 CUSTOM MATCHED COLOR

### INLET SIZES

- 10" (254 mm) ROUND
- 12" (305 mm) ROUND

### FACE STYLE

- 1-WAY HALF RADIAL PATTERN
- 2-WAY FULL RADIAL PATTERN
- PERFORATED FACE WITH 1-WAY HALF RADIAL PATTERN
- PERFORATED FACE WITH 2-WAY FULL RADIAL PATTERN

### FILTER

- NO-FTR - NO FILTER
- HEPA - 99.99% (0.3 MICRON)
- ULPA - 99.9995% (0.12 MICRON)
- FRB - FILTER REPLACEMENT BAFFLE

### DAMPER (OPTIONAL)

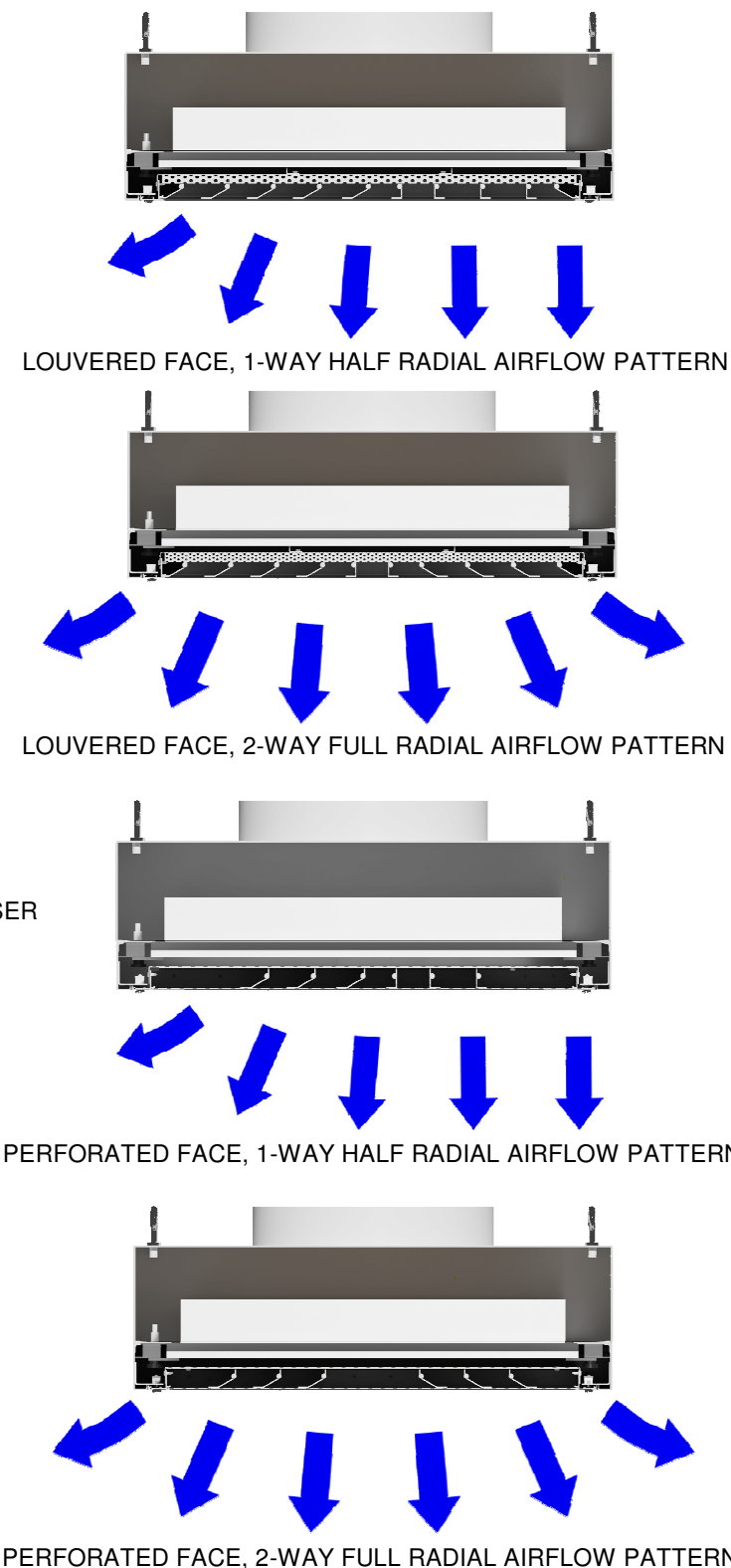
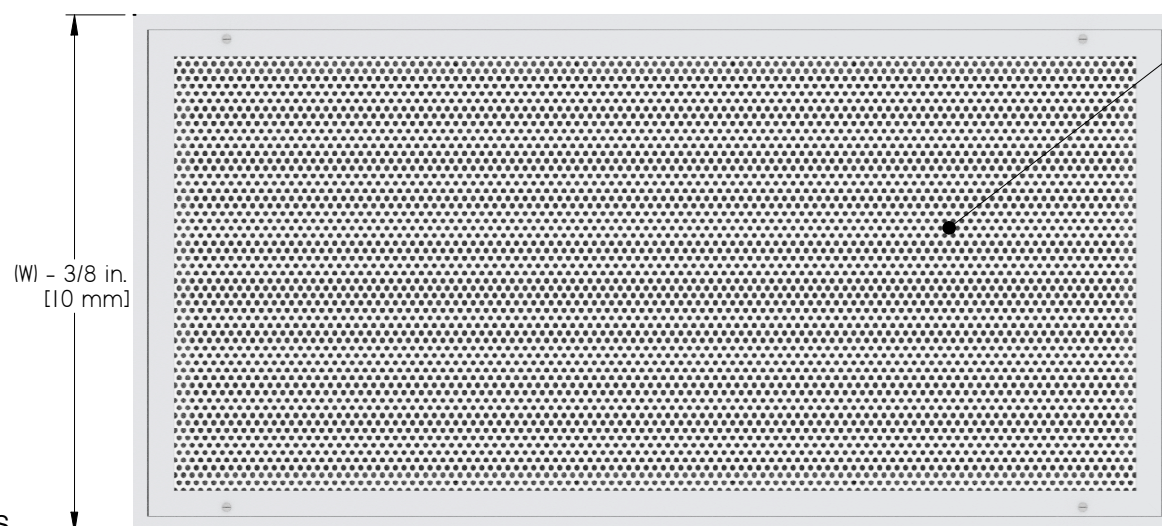
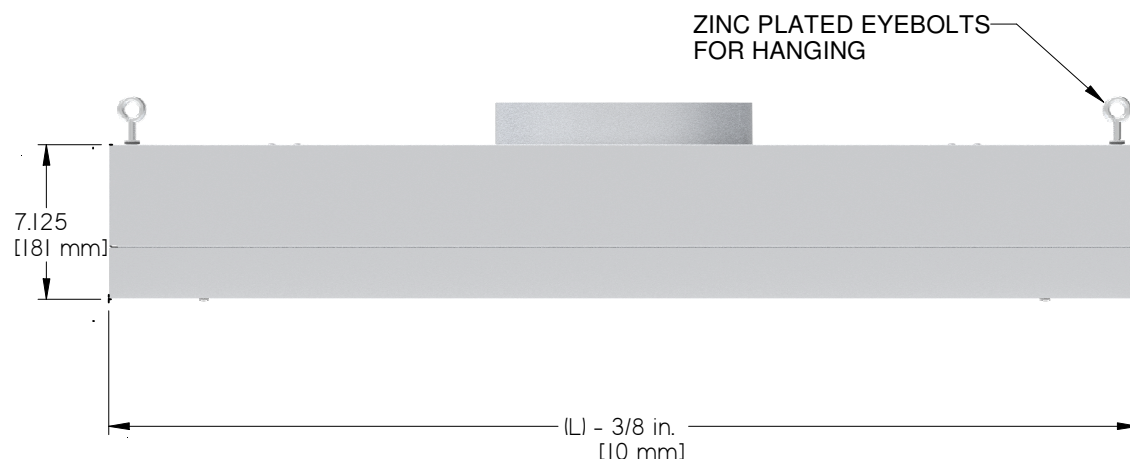
- VRC8EC - BUTTERFLY DAMPER, WHITE POWDER COATED STEEL BLADES
- VRC8ECSS - BUTTERFLY DAMPER, STAINLESS STEEL BLADES

### OPTIONS

- FL - FILTER INDICATOR LIGHT ON FACE
- FL+FBAS - FILTER INDICATOR LIGHT ON FACE AND FILTER BAS SIGNAL
- INJ - AEROSOL INJECTION SYSTEM WITH INLET EQUALIZATION BAFFLE
- CW - CONTINUOUSLY WELDED VERTICAL PLENUM SEAMS, SPOT WELDED INLET
- AFI-0.5: 0.5" THICK ALUMINUM FOIL-BACKED FIBERGLASS EXTERNAL INSULATION
- AFI-1.5: 1.5" THICK ALUMINUM FOIL BACKED FIBERGLASS EXTERNAL INSULATION
- PF - PROTECTIVE FILM

### NOTES:

- FILTER PACKAGED SEPERATELY FROM DIFFUSER HOUSING FOR JOB SITE INSTALLATION BY OTHERS
- PLENUM FACTORY SCANNED FOR LEAKS IN ACCORDANCE WITH IEST-RP-CC034
- LAY IN CEILING INSTALLATION ONLY. UNIT SIZE DESIGNED FOR 1" WIDE T-BAR OR 1.5" WIDE T-BAR WITH 1/8" NOMINAL SIZE INCREASE PER FOOT
- FOR SURFACE MOUNT INSTALLATION, ORDER SEPERATE HOSPITAL GRADE MOUNTING FRAME. SEE HGMF SUBMITTAL (271137)



**PRICE** | **CRITICAL ENVIRONMENTS**

PROJECT:

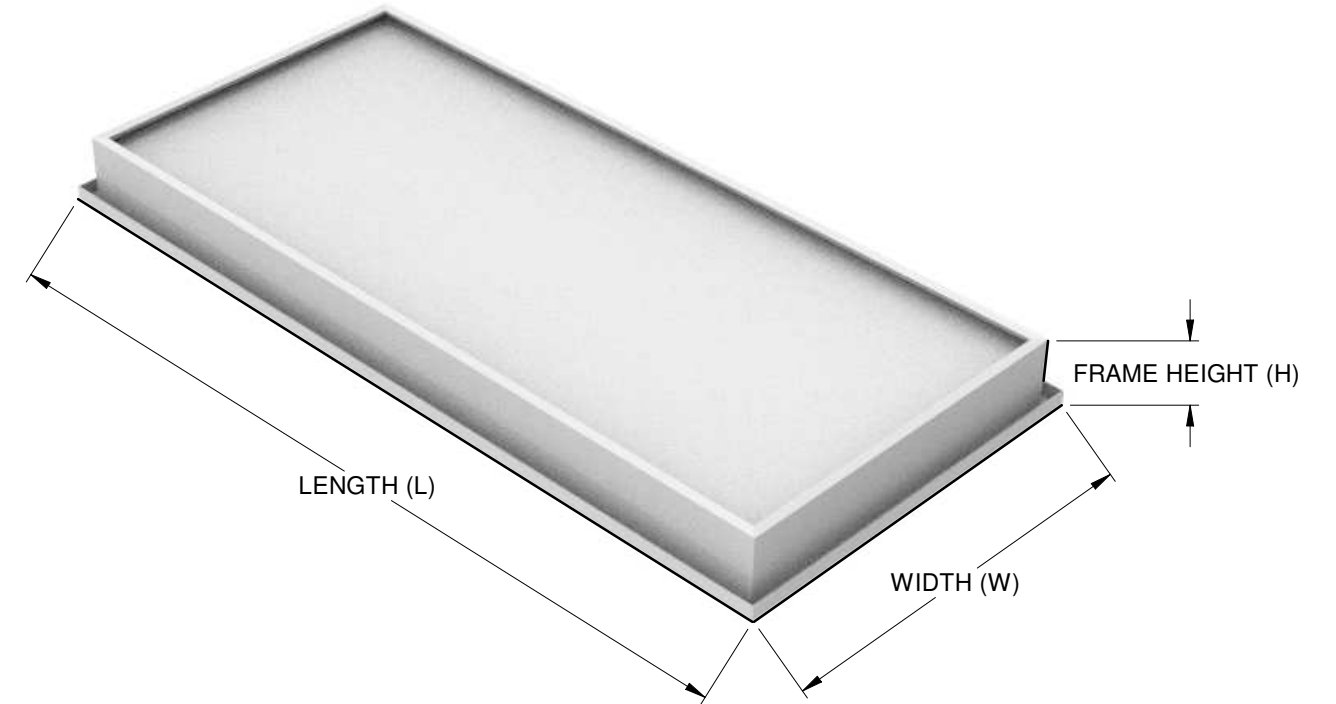
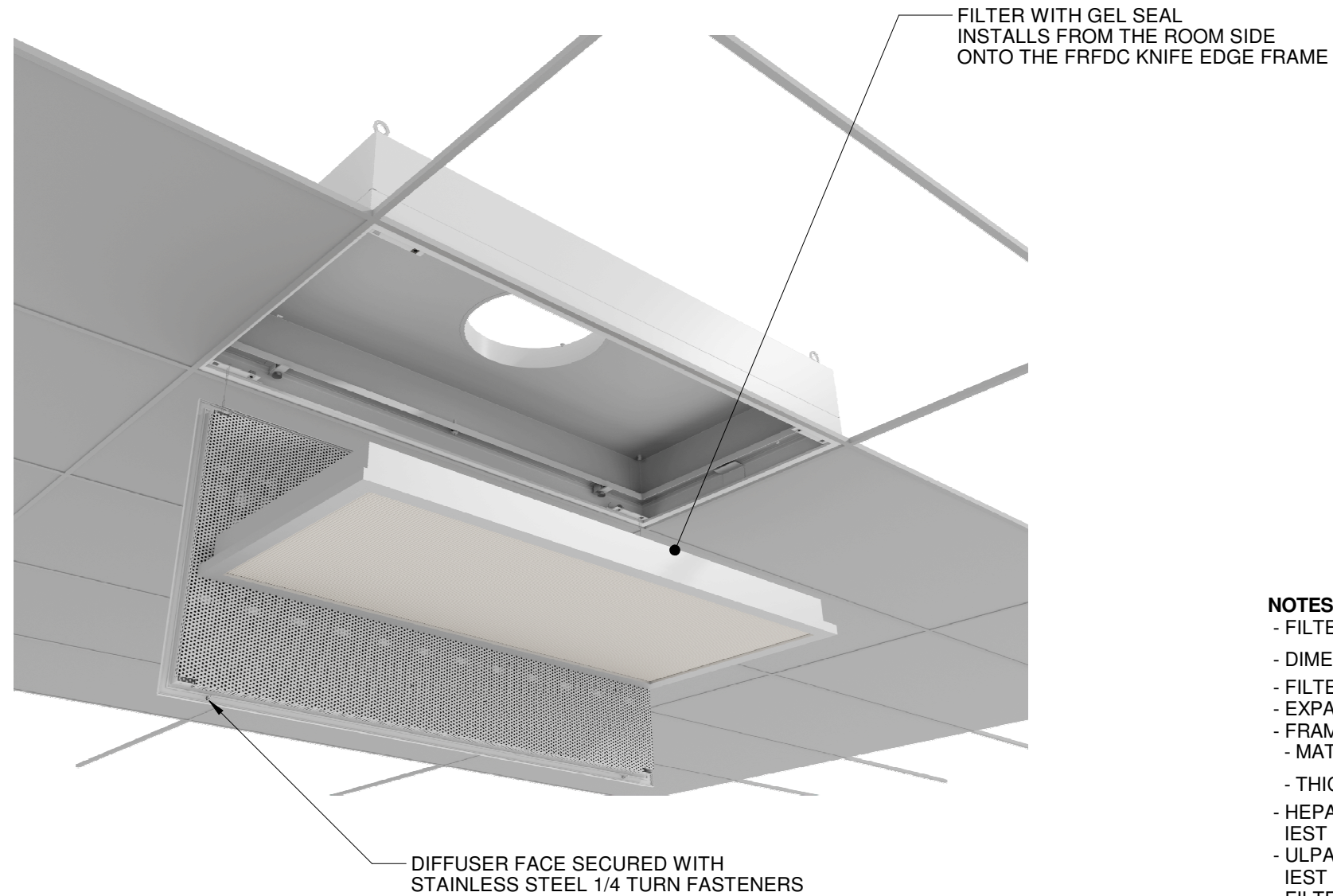
274675

Revision: A

04-18-2023

# FRFDC

## FLUSH FACE RADIAL FLOW DIFFUSER WITH HEPA FILTER FILTER DETAILS



### NOTES

- FILTER PLEATS RUN PARALLEL TO THE WIDTH (W) DIMENSION
- DIMENSIONS L & W TOLERANCES  $\pm \frac{1}{16}$ "
- FILTERS COME WITH GEL SEAL FILLED CHANNEL
- EXPANDED PAINTED WHITE SCREEN ON THE DOWNSTREAM SIDE
- FRAME DETAILS:
  - MATERIAL: ANODIZED EXTRUDED ALUMINUM
  - THICKNESS:  $\frac{1}{16}$ " (MINIMUM)
- HEPA FILTERS EFFICIENCY AND LEAK SCAN TESTED TO IEST RP CC001 TYPE J
- ULPA FILTERS EFFICIENCY AND LEAK SCAN TESTED TO IEST RP CC001 TYPE F
- FILTER PACKAGED SEPERATELY FROM DIFFUSER FOR JOB SITE INSTALLATION BY OTHERS

### IMPERIAL UNITS (INCHES)

ACTUAL FILTER SIZE		
WIDTH (W)	LENGTH (L)	HEIGHT (H)
20.69	20.69	2.88
20.69	44.69	2.88

### SI UNITS (MM)

ACTUAL FILTER SIZE		
WIDTH (W)	LENGTH (L)	HEIGHT (H)
526	526	73
526	1135	73

**PRICE** | **CRITICAL ENVIRONMENTS**

PROJECT:

274675

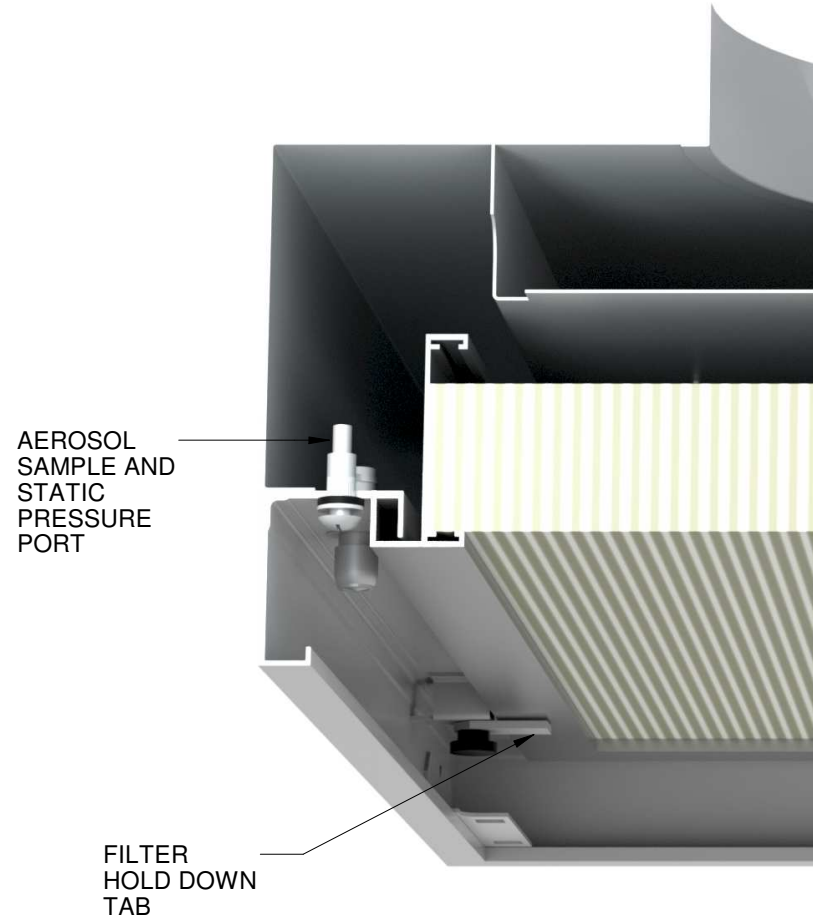
Revision: A

04-06-2023

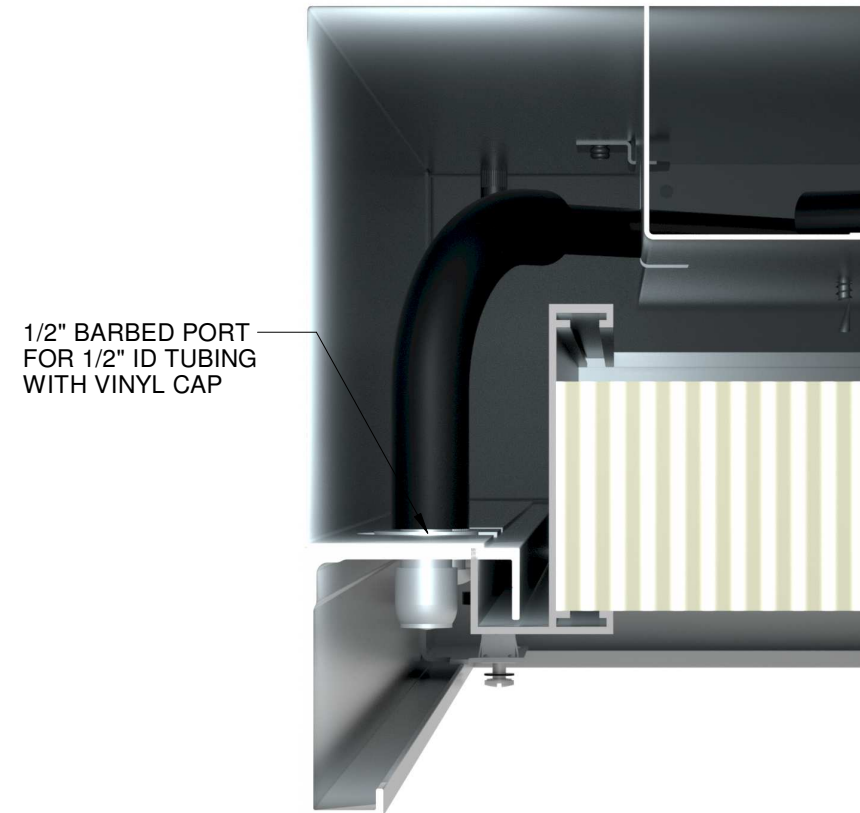
# FRFDC

## FLUSH FACE RADIAL FLOW DIFFUSER WITH HEPA FILTER DETAIL VIEWS

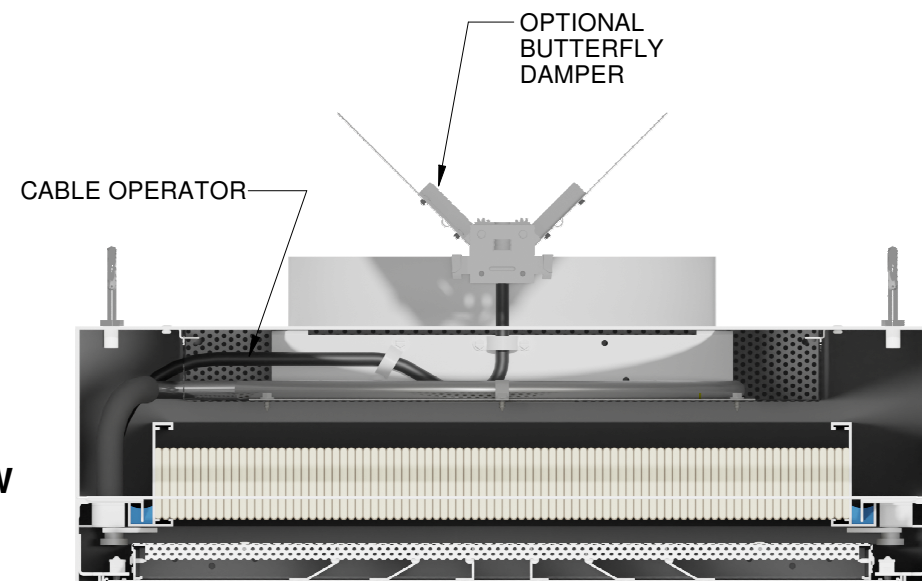
### AEROSOL/STATIC PORT DETAIL VIEW



### INJ - AEROSOL INJECTION PORT DETAIL VIEW



### EXPLODED VIEW LOUVERED FLUSH FACE OPTION SHOWN



### DAMPER DETAIL VIEW

**PRICE** | **CRITICAL ENVIRONMENTS**

PROJECT:

274675

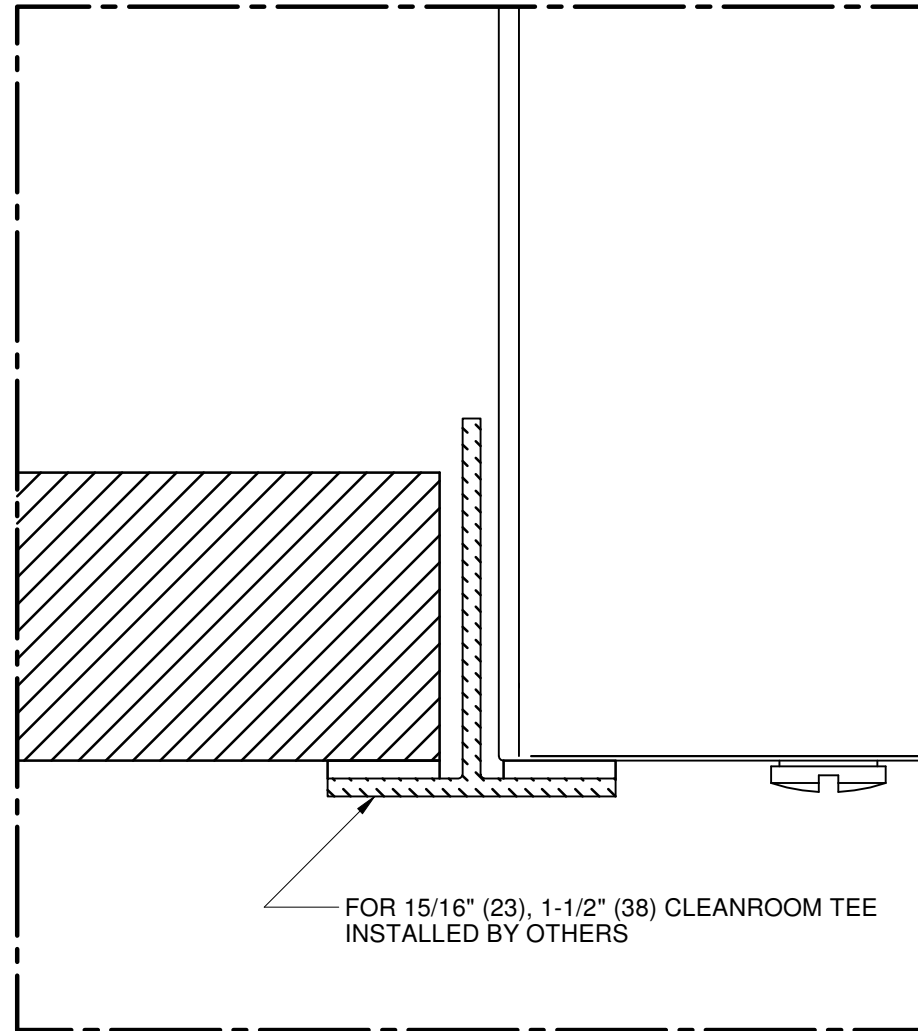
Revision: A

04-06-2023

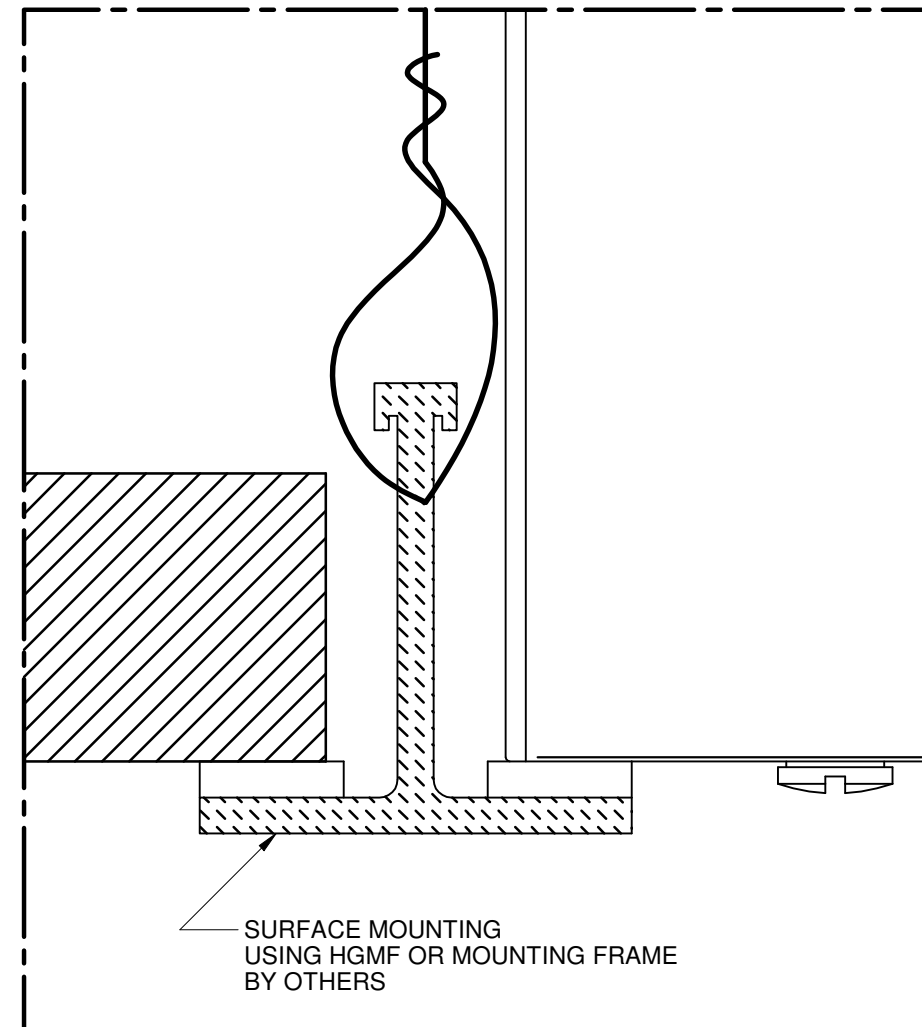
# FRFDC

## FLUSH FACE RADIAL FLOW DIFFUSER WITH HEPA FILTER MOUNTING DETAILS

### T-BAR MOUNTING



### SURFACE MOUNTING



#### NOTES:

- LAY IN CEILING INSTALLATION ONLY. UNIT SIZE DESIGNED FOR 1" WIDE T-BAR OR 1.5" WIDE T-BAR.
- FOR SURFACE MOUNT INSTALLATION ORDER SEPARATE HOSPITAL GRADE MOUNTING FRAME.

**PRICE** | **CRITICAL ENVIRONMENTS**

PROJECT:

274675

Revision: A

04-06-2023

# FRFDC

## FLUSH FACE RADIAL FLOW DIFFUSER WITH HEPA FILTER SUPPORTING CONTENT

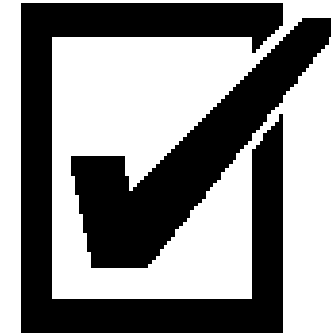


### CATALOG / PERFORMANCE

FLUSH FACE RADIAL FLOW DIFFUSER WITH HEPA FILTER CATALOG

FLUSH FACE RADIAL FLOW DIFFUSER WITH HEPA FILTER PERFORMANCE DATA

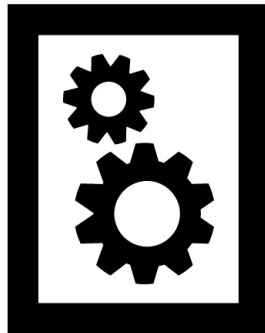
FLUSH FACE RADIAL FLOW DIFFUSER WITH HEPA FILTER PERFORMANCE DATA  
(METRIC)



### SUBMITTALS

FTR REPLACEMENT FILTER SUBMITTAL

HGMF HOSPITAL GRADE MOUNTING FRAME SUBMITTAL



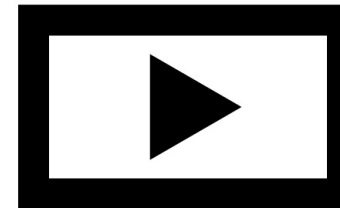
### MANUALS

CRITICAL ENVIRONMENTS DIFFUSER INSTALLATION MANUAL

FTR ROOM-SIDE REPLACEABLE FILTER (RSR) QUICK START GUIDE

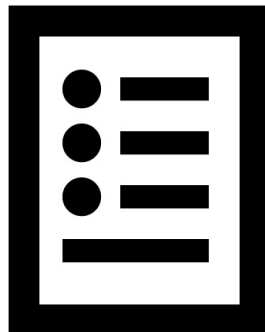
INJ AEROSOL INJECTION PORT USER MANUAL

INJ AERSOL INJECTION PORT INSTALLATION MANUAL



### VIDEOS

FILTER TESTING & AEROSOL INJECTION



### SPECIFICATIONS

FLUSH FACE RADIAL FLOW DIFFUSER WITH HEPA FILTER SPECIFICATION



FOR MORE INFORMATION ON PRICE LAMINAR FLOW DIFFUSERS,  
VISIT [PRICEINDUSTRIES.COM](http://PRICEINDUSTRIES.COM)

**PRICE** | **CRITICAL ENVIRONMENTS**

PROJECT:

274675

Revision: A

04-06-2023