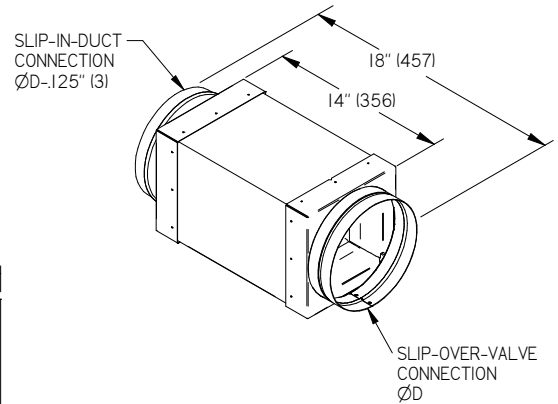
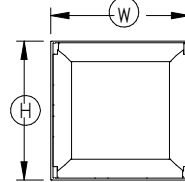
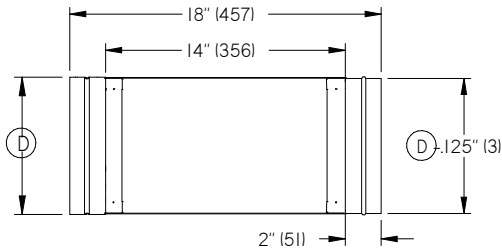


Product Submittal

SINGLE VALVE

UNIT SIZE	W	H	D
	in. (mm)	in. (mm)	in. (mm)
108	8 (203)	8 (203)	8 (203)
110	10 (254)	10 (254)	10 (254)
112	12 (305)	12 (305)	12 (305)
114	14 (356)	14 (356)	14 (356)



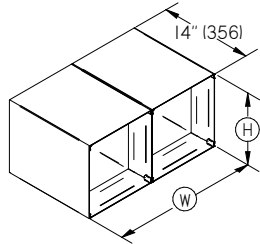
MULTIBODY VALVE

UNIT SIZE	W	H
	in. (mm)	in. (mm)
210	22 (559)	11 (279)
212	26 (660)	13 (330)
214	30 (762)	15 (381)
312	39 (991)	13 (330)
314	45 (1143)	15 (381)
412	52 (1321)	13 (330)
414	60 (1524)	15 (381)

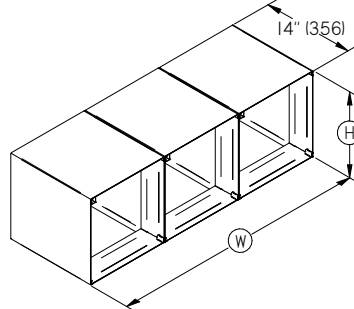
SLIP END SPECIFICATIONS

UNIT SIZE	DUCT
	in. (mm)
210	22.25"(565) x 11.25"(286)
212	26.25"(667) x 13.25"(337)
214	30.25"(768) x 15.25"(387)
312	39.25"(997) x 13.25"(337)
314	45.25"(1149) x 15.25"(387)
412	52.25"(1327) x 13.25"(337)
414	60.25"(1530) x 15.25"(387)

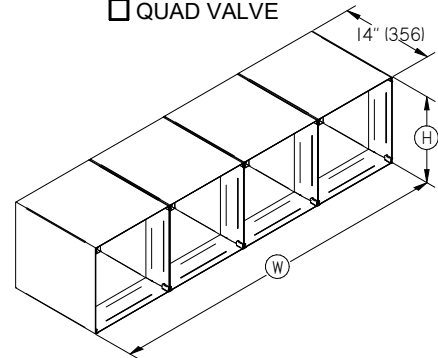
DUAL VALVE



TRIPLE VALVE



QUAD VALVE

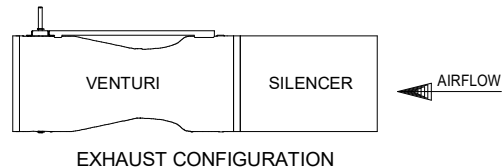
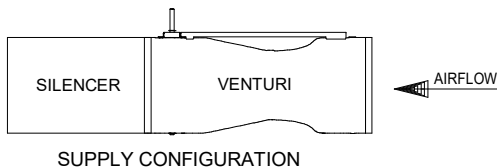


SILENCER CONSTRUCTION OPTIONS:

- GALVANIZED STEEL (GALV), 22ga
- 316 STAINLESS STEEL (316SS), 24ga

- NOTES:**
1. PACKLESS SILENCER, NO ABSORPTIVE MEDIA, MECHANICALLY FASTENED CONSTRUCTION.
 2. ALL MATERIALS USED IN CONSTRUCTION OF SILENCER MEET OR EXCEED FLAME SPREAD CLASSIFICATION OF 25 AND A SMOKE DEVELOPMENT RATING OF 50 WHEN TESTED IN ACCORDANCE WITH ASTM E84, UL723 AND NEPA255.
 3. SLIP CONNECTION BOTH ENDS.
 4. SHIPPED LOOSE FOR FIELD INSTALLATION.

SILENCER ARRANGEMENTS:



ALL METRIC DIMENSIONS () ARE SOFT CONVERTED. IMPERIAL DIMENSIONS ARE CONVERTED TO METRIC AND ROUNDED TO THE NEAREST MILLIMETER. SPECIFICATIONS ARE SUBJECT TO CHANGE WITHOUT NOTICE.

DYNAMIC INSERTION LOSS (DIL):

UNIT SIZE	OCTAVE BAND DYNAMIC INSERTION LOSS (dB)					
	125 Hz	250 Hz	500 Hz	1000 Hz	2000 Hz	4000 Hz
108	2	4	4	12	9	5
110	2	2	2	11	8	4
112	2	1	2	10	6	4
114	2	1	2	10	5	3
210	2	2	2	11	8	4
212	2	1	2	10	6	4
214	2	1	2	10	5	3
312	2	1	2	10	6	4
314	2	1	2	10	5	3
412	2	1	2	10	6	4
414	2	1	2	10	5	3

ALL METRIC DIMENSIONS () ARE SOFT CONVERTED. IMPERIAL DIMENSIONS ARE CONVERTED TO METRIC AND ROUNDED TO THE NEAREST MILLIMETER. SPECIFICATIONS ARE SUBJECT TO CHANGE WITHOUT NOTICE.