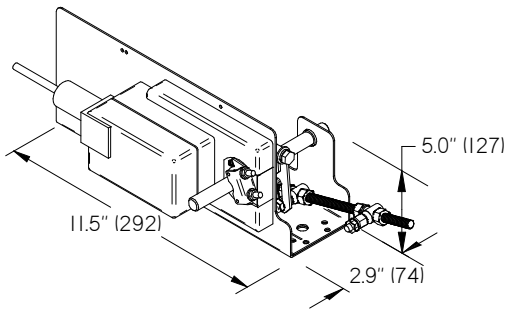
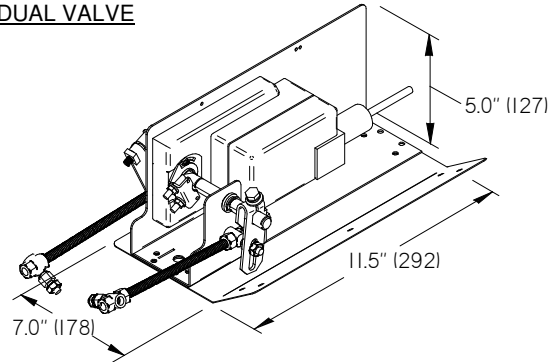


VVR SPECIFICATIONS:	
ENVIRONMENTAL (OPERATING)	50°F to 122°F (10°C to 50°C), 5% to 95% R.H.(NON-CONDENSING)
ENVIRONMENTAL (STORAGE)	-22°F to 122°F (-30°C to 50°C), 0% to 95% R.H.(NON-CONDENSING)
MOUNTING PLATE	.060in (2mm) GALV STEEL, TO BE MOUNTED IN THE FIELD DIRECTLY ON RETROFIT VALVE, NO MOUNTING HARDWARE INCLUDED

SINGLE VALVE

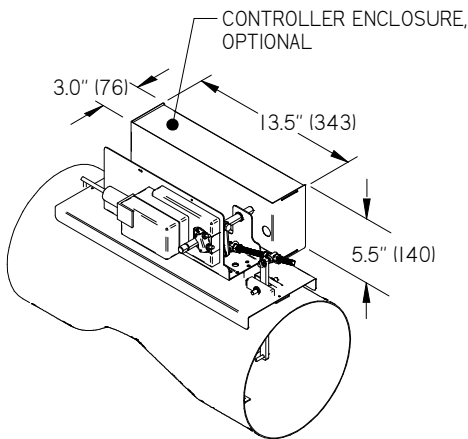


DUAL VALVE

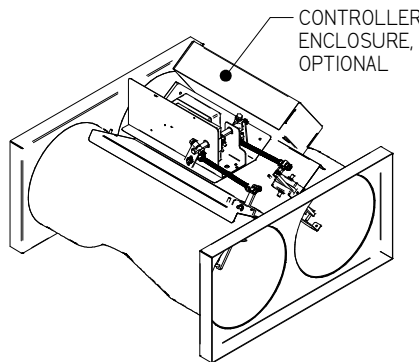


MOUNTING SPECIFICATIONS:

SINGLE VALVE

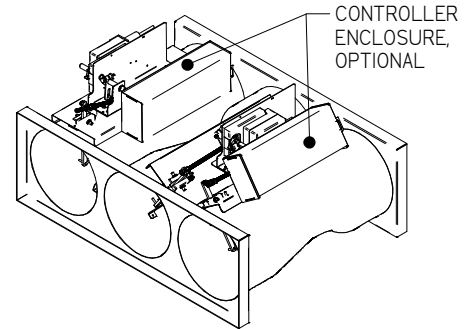


DUAL VALVE



TRIPLE VALVE*

*COMBINATION OF SINGLE VALVE AND DUAL VALVE RETROFIT KITS.



PRESSURE RANGE OPTIONS:

- MEDIUM PRESSURE (M) - 0.6 to 3.0 in.w.c. (150-750 Pa), MEASURED ACROSS VALVE
- LOW PRESSURE (L) - 0.3 to 3.0 in.w.c. (75-750 Pa), MEASURED ACROSS VALVE

ACTUATOR FAIL SAFE OPTIONS:

- FAIL IN PLACE (FLP)
- FAIL OPEN POSITION (FOP)
- FAIL CLOSED POSITION (FCP)

ACTUATOR SPEED OPTIONS:

- STANDARD SPEED (SSA), FLP ONLY
- HIGH SPEED (HSA)

ACTUATOR CONTROL OPTIONS:

- VDC CONTROL SIGNAL (VDC)
- 2-POSITION CONTROL SIGNAL (2P)

CONTROLLER ENCLOSURE OPTIONS:

- CONTROLLER ENCLOSURE ASSEMBLY (ENCL), PACE, FVM or LMX ENCLOSURE MOUNTED

NOTE: PLEASE REFER TO PROJECT SUBMITTAL SCHEDULE FOR SELECTED OPTIONS. SPECIFICATIONS ARE SUBJECT TO CHANGE WITHOUT NOTICE.
ALL METRIC DIMENSIONS () ARE SOFT CONVERTED. IMPERIAL DIMENSIONS ARE CONVERTED TO METRIC AND ROUNDED TO THE NEAREST MILLIMETER.

ACTUATOR REFERENCE CHART

UNIT SIZE	ACTUATOR CONTROL	ACTUATOR RESPONSE	ACTUATOR FAIL POSITION	PART #	QTY
108	VDC	SSA	FLP	019127-002	1
		HSA		019127-001	1
		FOP/FCP	019127-003	1	
	2P	SSA	FLP	019128-001	1
		HSA		019128-003	1
		FOP/FCP	019127-007	1	
110	VDC	SSA	FLP	019127-002	1
		HSA		019127-001	1
		FOP/FCP	019127-003	1	
	2P	SSA	FLP	019128-001	1
		HSA		019128-003	1
		FOP/FCP	019127-007	1	
112	VDC	SSA	FLP	019127-005	1
		HSA		019127-004	1
		FOP/FCP	019127-003	1	
	2P	SSA	FLP	019128-002	1
		HSA		019128-009	1
		FOP/FCP	019127-007	1	
114	VDC	SSA	FLP	019127-005	1
		HSA		019127-004	1
		FOP/FCP	019127-003	1	
	2P	SSA	FLP	019128-002	1
		HSA		019128-009	1
		FOP/FCP	019127-007	1	
210	VDC	SSA	FLP	019127-005	1
		HSA		019127-004	1
		FOP/FCP	019127-003	1	
	2P	SSA	FLP	019128-002	1
		HSA		019128-009	1
		FOP/FCP	019127-007	1	
212	VDC	SSA	FLP	019127-005	1
		HSA		019127-004	1
		FOP/FCP	019127-003	1	
	2P	SSA	FLP	019128-002	1
		HSA		019128-009	1
		FOP/FCP	019127-007	1	
214	VDC	SSA	FLP	019127-005	1
		HSA		019127-006	1
		FOP/FCP	019127-003	1	
	2P	SSA	FLP	019128-002	1
		HSA		019128-009	1
		FOP/FCP	019127-007	1	

NOTE: SEE VALVE ACTUATOR PRODUCT SUBMITTAL FOR ACTUATOR SPECIFICATIONS.

NOTE: PLEASE REFER TO PROJECT SUBMITTAL SCHEDULE FOR SELECTED OPTIONS. SPECIFICATIONS ARE SUBJECT TO CHANGE WITHOUT NOTICE.
ALL METRIC DIMENSIONS () ARE SOFT CONVERTED. IMPERIAL DIMENSIONS ARE CONVERTED TO METRIC AND ROUNDED TO THE NEAREST MILLIMETER.