

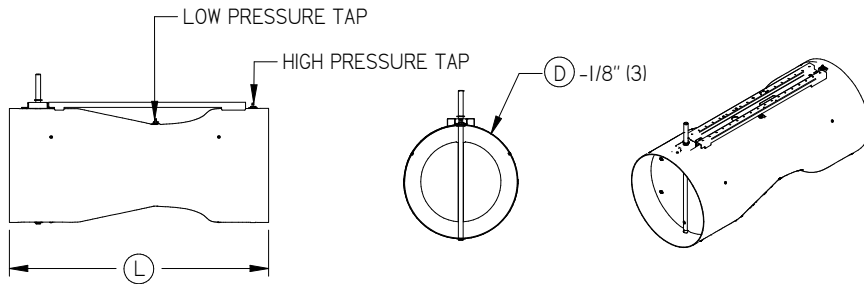
VFX SPECIFICATIONS:	
ENVIRONMENTAL (OPERATING)	50°F to 122°F (10°C to 50°C), 5% to 95% R.H.(NON-CONDENSING)
ENVIRONMENTAL (STORAGE)	-22°F to 122°F (-30°C to 50°C), 0% to 95% R.H.(NON-CONDENSING)
VALVE BODY	14 Ga ALUMINUM
DAMPER ASSEMBLY	UNCOATED: TWO 24 Ga GALVANIZED STEEL PLATES AND TEFLON GASKET MOUNTED ON A ZINC PLATED STEEL SHAFT. COATED: TWO 22 Ga 316 STAINLESS STEEL PLATES AND A TEFLON GASKET MOUNTED ON A 316 STAINLESS STEEL SHAFT.
PRESSURE SENSOR	316 STAINLESS STEEL TUBES

SINGLE VALVE			
UNIT SIZE	D in.(mm)	L in.(mm)	WEIGHT* lb.(kg)
108	8 (203)	23.50 (597)	19 (9)
110	10 (254)	21.75 (552)	20 (9)
112	12 (305)	27.00 (686)	22 (10)
114	14 (356)	30.00 (762)	24 (11)

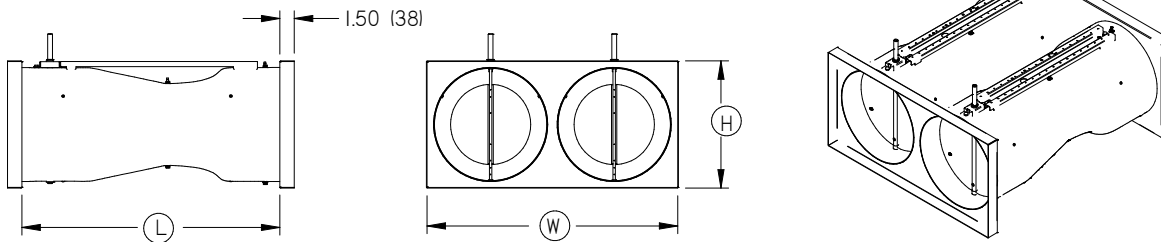
DUAL VALVE				
UNIT SIZE	L in.(mm)	H in.(mm)	W in (mm)	WEIGHT* lb (kg)
212	27.00 (686)	13.250 (337)	26.250 (667)	40 (18)
214	30.00 (762)	15.250 (387)	30.250 (768)	45 (20)

*WEIGHTS ARE ± 5lbs (2kg) DEPENDING ON OPTIONS

SINGLE VALVE



DUAL VALVE



VFX OPERATIONAL RANGE					
SINGLE VALVE			DUAL VALVE		
UNIT SIZE	MIN. AIRFLOW CFM (L/s)	MAX AIRFLOW CFM (L/s)	UNIT SIZE	MIN. AIRFLOW CFM (L/s)	MAX AIRFLOW CFM (L/s)
108	80 (38)	800 (378)	212	360 (170)	3600 (1700)
110	120 (57)	1300 (614)	214	500 (236)	5000 (2360)
112	180 (85)	1800 (850)			
114	250 (118)	2500 (1180)			

UNIT SIZE	K-FACTOR
108	600
110	975
112	1400
114	1985
212	2800
214	4000

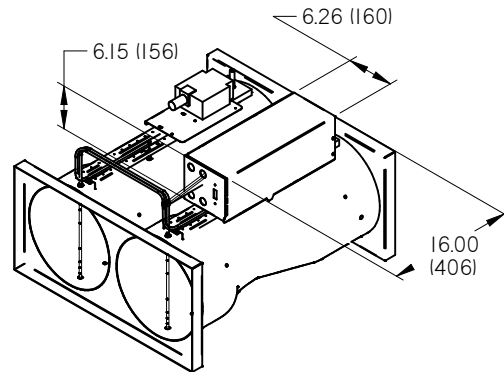
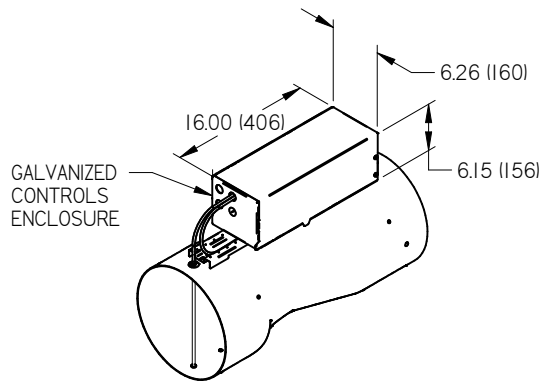
NOTE: SEE PROJECT SUBMITTAL SCHEDULE FOR SELECTED OPTIONS.

ALL METRIC DIMENSIONS () ARE SOFT CONVERTED. IMPERIAL DIMENSIONS ARE CONVERTED TO METRIC AND ROUNDED TO THE NEAREST MILLIMETER. SPECIFICATIONS ARE SUBJECT TO CHANGE WITHOUT NOTICE.

U.S. Patent No. 10,451,461

CONTROL OPTIONS:

- VARIABLE VOLUME (VAV & VDC) WITH PACE-TRACK - STANDARD SPEED ACTUATOR ONLY
- VARIABLE VOLUME (VAV & VDC) WITH PACE
- VARIABLE VOLUME (VAV & VDC) WITH FVM - HIGH SPEED ACTUATOR ONLY
- VARIABLE VOLUME (VAV & VDC) WITH PTX



ACTUATOR FAIL SAFE OPTIONS

- FAIL IN PLACE (FLP)
- FAIL OPEN POSITION (FOP)
- FAIL CLOSED POSITION (FCP)

ACTUATOR SPEED OPTIONS

- STANDARD SPEED (SSA)
- HIGH SPEED (HSA)

INSULATION OPTION

- 3/4" EXTERNAL FIBER FREE FOAM INSULATION (IN)

COATING OPTION

- PHENOLIC COATING - VALVE BODY (P1)

NOTE: PLEASE REFER TO VFX MANUAL FOR INSTALLATION INSTRUCTIONS.
SEE PROJECT SUBMITTAL SCHEDULE FOR SELECTED OPTIONS.

ALL METRIC DIMENSIONS () ARE SOFT CONVERTED. IMPERIAL DIMENSIONS ARE CONVERTED TO METRIC AND ROUNDED TO THE NEAREST MILLIMETER.
SPECIFICATIONS ARE SUBJECT TO CHANGE WITHOUT NOTICE.

U.S. Patent No. 10,451,461

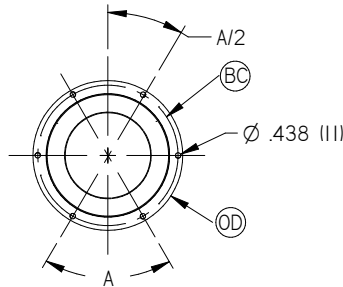
CONNECTION OPTIONS

- SLIP CONNECTION (SL) - VALVE SLIPPED INTO DUCT WITH 1" OVERLAP, SINGLE SIZES

SLIP END SPECIFICATIONS

UNIT SIZE	SINGLE DUCT	UNIT SIZE	DUAL DUCT
	in. (mm)		in. (mm)
108	Ø 8" (203)	212	26"(660) x 13"(330)
110	Ø 10" (254)	214	30"(762) x 15"(381)
112	Ø 12" (305)		
114	Ø 14" (356)		

- FLANGED CONNECTION (FL), SINGLE SIZES

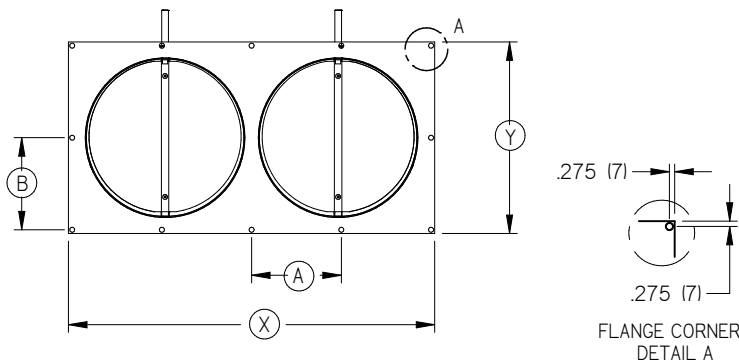


FLANGED END SPECIFICATIONS
SINGLE VALVE

UNIT SIZE	NUMBER OF BOLT HOLES	BC	OD	A
		in. (mm)	in. (mm)	Degrees
108	6	Ø 9.25" (235)	Ø 10" (254)	60
110	6	Ø 11.25" (286)	Ø 12" (305)	60
112	6	Ø 13.25" (337)	Ø 15" (381)	60
114	8	Ø 15.75" (400)	Ø 17" (432)	45

- FLANGED CONNECTION (FL), DUAL SIZES

FLANGED END SPECIFICATIONS,
DUAL VALVES



UNIT SIZE	X	Y	A	B
	in.(mm)	in.(mm)	in. (mm)	in. (mm)
212	27.250 (692)	14.250 (362)	6.675(170)	6.850 (174)
214	31.250 (794)	16.250 (413)	7.675 (195)	7.850 (199)

NOTE: PLEASE REFER TO VFX MANUAL FOR INSTALLATION INSTRUCTIONS.
SEE PROJECT SUBMITTAL SCHEDULE FOR SELECTED OPTIONS.

ALL METRIC DIMENSIONS () ARE SOFT CONVERTED. IMPERIAL DIMENSIONS ARE CONVERTED TO METRIC AND ROUNDED TO THE NEAREST MILLIMETER.
SPECIFICATIONS ARE SUBJECT TO CHANGE WITHOUT NOTICE.

U.S. Patent No. 10,451,461

ACTUATOR REFERENCE CHART

UNIT SIZE	ACTUATOR RESPONSE	ACTUATOR FAIL POSITION	PART #	QTY
108	SSA	FLP	019127-002	1
		FOP/FCP	019128-014	1
	HSA	FLP	019127-001	1
		FOP/FCP	019127-003	1
110	SSA	FLP	019127-002	1
		FOP/FCP	019128-014	1
	HSA	FLP	019127-001	1
		FOP/FCP	019127-003	1
112	SSA	FLP	019127-002	1
		FOP/FCP	019128-014	1
	HSA	FLP	019127-001	1
		FOP/FCP	019127-003	1
114	SSA	FLP	019127-002	1
		FOP/FCP	019128-014	1
	HSA	FLP	019127-001	1
		FOP/FCP	019127-003	1
212	SSA	FLP	019127-002	2
		FOP/FCP	019128-014	2
	HSA	FLP	019127-001	2
		FOP/FCP	019127-003	2
214	SSA	FLP	019127-002	2
		FOP/FCP	019128-014	2
	HSA	FLP	019127-001	2
		FOP/FCP	019127-003	2

NOTE: SEE VALVE ACTUATOR PRODUCT SUBMITTAL FOR ACTUATOR SPECIFICATIONS.

NOTE: PLEASE REFER TO VFX MANUAL FOR INSTALLATION INSTRUCTIONS.
SEE PROJECT SUBMITTAL SCHEDULE FOR SELECTED OPTIONS.

ALL METRIC DIMENSIONS () ARE SOFT CONVERTED. IMPERIAL DIMENSIONS ARE CONVERTED TO METRIC AND ROUNDED TO THE NEAREST MILLIMETER.
SPECIFICATIONS ARE SUBJECT TO CHANGE WITHOUT NOTICE.

U.S. Patent No. 10,451,461