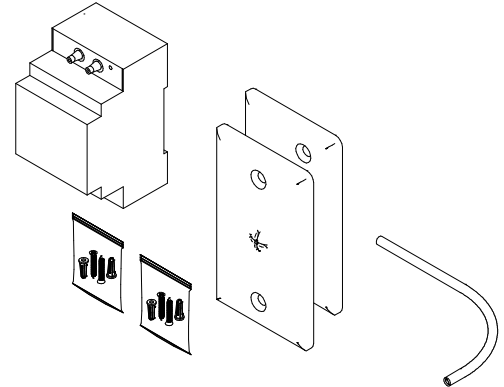


SRPS SPECIFICATIONS:		
ENVIRONMENTAL (OPERATING)	50°F to 95°F (10°C to 35°C), 0% to 95% R.H.(NON-CONDENSING)	
ENVIRONMENTAL (STORAGE)	-22°F to 122°F (-30°C to 50°C), 0% to 95% R.H.(NON-CONDENSING)	
INPUT POWER	POWERED FROM PMT OR PACE	
RANGE	+/- 0.1 in.w.c. (+/- 25 Pa)	
ACCURACY	3% OF READING	
PRESSURE TUBING	96in. (2438mm) LONG, CLEAR, FIRE RATED	
MOUNT	SRPS	DIN RAIL MOUNT (INCLUDED)
	FACE PLATES	STANDARD 2in. x 4in. (51mm x 102mm) J-BOX or DRY WALL MOUNT

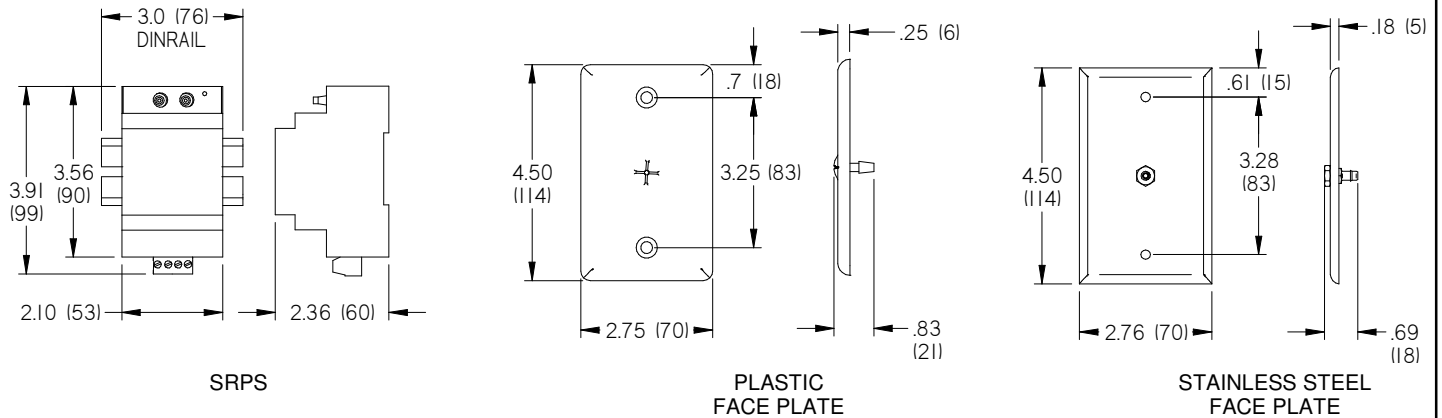


FACE PLATES:

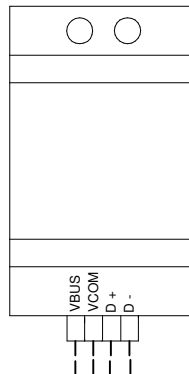
- ABS PLASTIC, WHITE (INCLUDES MOUNTING HARDWARE)
- STAINLESS STEEL (INCLUDES MOUNTING HARDWARE)

PLASTIC FACE PLATE SHOWN

DIMENSIONS:



TERMINATION:



VBUS	INPUT POWER, HOT
VCOM	INPUT POWER, GROUND
D +	NET +
D -	NET -

INDICATORS:

STATUS LED	CONDITION
ON	SIN COMMUNICATION ERROR
OFF	SIN CONNECTED
FLASHING GREEN	RESPONDING TO PING

NOTE: PLEASE REFER TO PACE MANUAL FOR INSTALLATION AND SETUP INSTRUCTIONS.
SEE PROJECT SUBMITTAL SCHEDULE FOR SELECTED OPTIONS.

ALL METRIC DIMENSIONS () ARE SOFT CONVERTED. IMPERIAL DIMENSIONS ARE CONVERTED TO METRIC AND ROUNDED TO THE NEAREST MILLIMETER.
SPECIFICATIONS ARE SUBJECT TO CHANGE WITHOUT NOTICE.