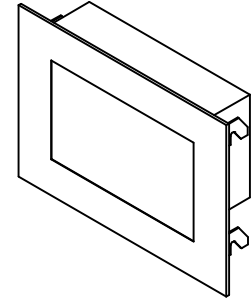
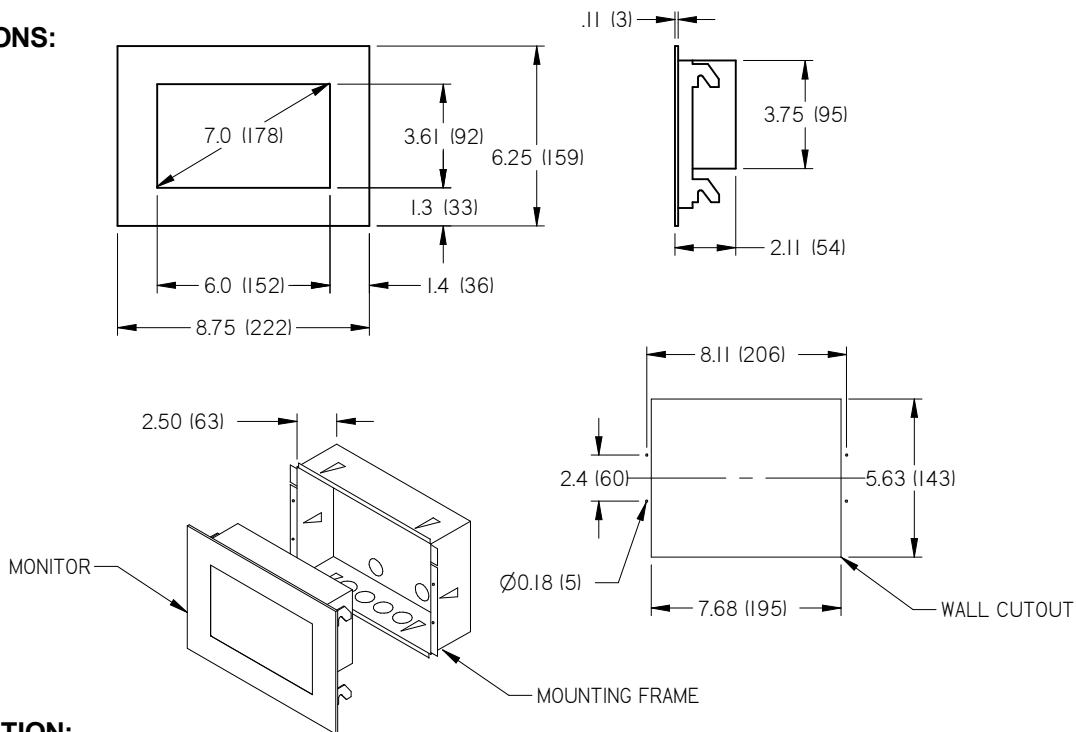


□ 7in. (178mm) SCREEN SIZE (S7)

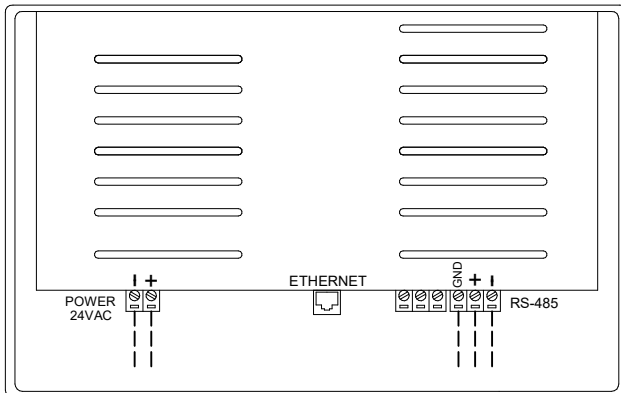
MVM SPECIFICATIONS:	
ENVIRONMENTAL (OPERATING)	50°F to 105°F (10°C to 40°C), 10% to 90% R.H.(NON-CONDENSING)
INPUT POWER	24 VAC +/- 10%, 50/60 Hz, 14 VA, CLASS 2
DISPLAY TYPE	CAPACITIVE TOUCH, 7in. (178mm), DIMMABLE
INDICATORS	LCD SCREEN, SPEAKER
RESOLUTION	800px x 480px, 262144 COLORS
FACE	GLASS, IP54
COMMUNICATION PROTOCOL	BACNET MS/TP, BACNET IP



DIMENSIONS:



TERMINATION:



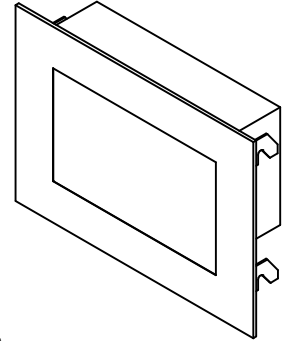
POWER +	INPUT POWER, HOT
POWER -	INPUT POWER, GROUND
ETHERNET	IP CONNECTION FOR BACNET IP OR TO LAPTOP FOR CONFIGURATION
GND	NET COM
+	NET +
-	NET -

NOTE: PLEASE REFER TO MVM MANUAL FOR INSTALLATION, SETUP INSTRUCTIONS AND ADDITIONAL INFORMATION. SEE PROJECT SUBMITTAL SCHEDULE FOR SELECTED OPTIONS.

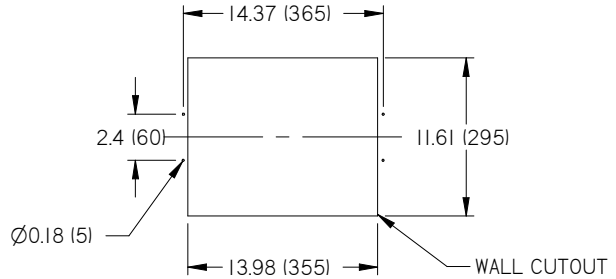
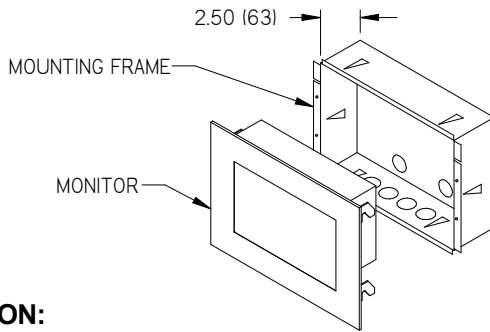
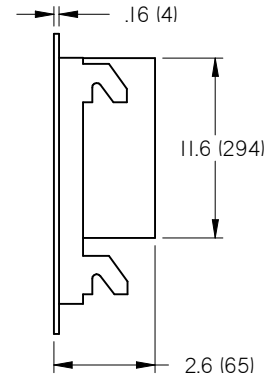
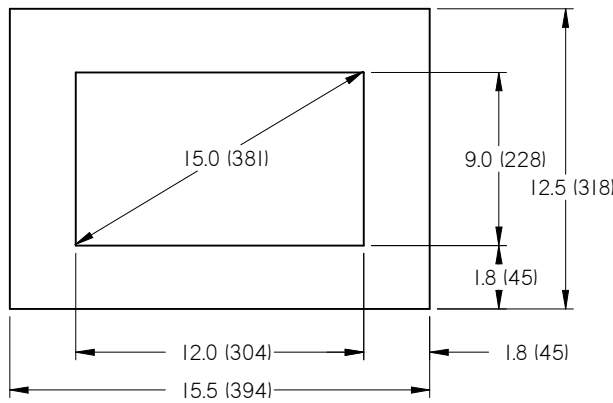
ALL METRIC DIMENSIONS () ARE SOFT CONVERTED. IMPERIAL DIMENSIONS ARE CONVERTED TO METRIC AND ROUNDED TO THE NEAREST MILLIMETER. SPECIFICATIONS ARE SUBJECT TO CHANGE WITHOUT NOTICE.

□ 15in. (381mm) SCREEN SIZE (S15)

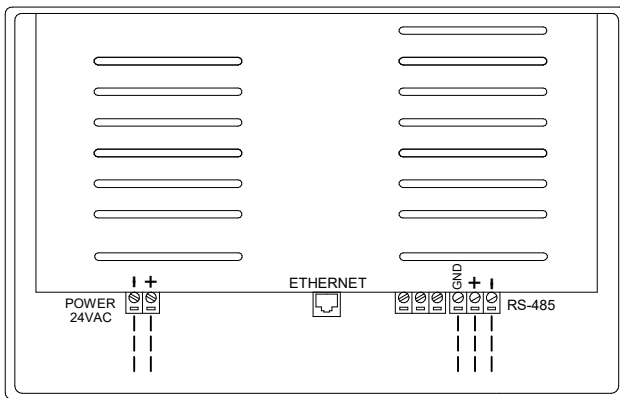
MVM SPECIFICATIONS:	
ENVIRONMENTAL (OPERATING)	50°F to 105°F (10°C to 40°C), 10% to 90% R.H.(NON-CONDENSING)
INPUT POWER	24 VAC +/- 10%, 50/60 Hz, 25 VA, CLASS 2
DISPLAY TYPE	CAPACITIVE TOUCH, 15in. (381mm), DIMMABLE
INDICATORS	LCD SCREEN, SPEAKER
RESOLUTION	1024px x 768px, 262144 COLORS
FACE	GLASS, IP54
COMMUNICATION PROTOCOL	BACNET MS/TP, BACNET IP



DIMENSIONS:



TERMINATION:



POWER +	INPUT POWER, HOT
POWER -	INPUT POWER, GROUND
ETHERNET	IP CONNECTION FOR BACNET IP OR TO LAPTOP FOR CONFIGURATION
GND	NET COM
+	NET +
-	NET -

NOTE: PLEASE REFER TO MVM MANUAL FOR INSTALLATION, SETUP INSTRUCTIONS AND ADDITIONAL INFORMATION. SEE PROJECT SUBMITTAL SCHEDULE FOR SELECTED OPTIONS.

ALL METRIC DIMENSIONS () ARE SOFT CONVERTED. IMPERIAL DIMENSIONS ARE CONVERTED TO METRIC AND ROUNDED TO THE NEAREST MILLIMETER. SPECIFICATIONS ARE SUBJECT TO CHANGE WITHOUT NOTICE.

CONFIGURATIONS:

SINGLE ROOM CONFIGURATIONS (1RM)

- CONFIGURATION TYPE: (1)
DISPLAY POINTS: (RMP-RMT-RMRH)

Room Pressure	Status
Room Temperature	Alarm/Caution Reason
Relative Humidity	Room Pressure Mode
	Room Mode Override

- CONFIGURATION TYPE: (2)
DISPLAY POINTS: (RMP-RMT-ACH)

•Room Pressure	•Status
•Room Temperature	•Alarm/Caution Reason
•Air Changes per Hour	•Room Pressure Mode
	•Room Mode Override

- CONFIGURATION TYPE: (3)
DISPLAY POINTS: (RMT-RMRH-CO2)

•Room Temperature	• Status
•Relative Humidity	•Alarm/Caution Reason
•CO2	•Room Pressure Mode
	•Room Mode Override

- CONFIGURATION TYPE: (4)
DISPLAY POINTS: (RMT-RMRH-ACH)

•Room Temperature	•Status
•Relative Humidity	•Alarm/Caution Reason
•Air Changes per Hour	•Room Pressure Mode
	•Room Mode Override

TWO ROOM CONFIGURATIONS (2RM)

- CONFIGURATION TYPE: (5)
DISPLAY POINTS FOR EACH ROOM: (RMP-RMRH)

•Room Pressure	•Status
•Relative Humidity	•Alarm/Caution Reason
	•Room Mode Override

- CONFIGURATION TYPE: (6)
DISPLAY POINTS FOR EACH ROOM: (RMP-ACH)

•Room Pressure	•Status
•Air Changes per Hour	•Alarm/Caution Reason
	•Room Mode Override

- CONFIGURATION TYPE: (7)
DISPLAY POINTS FOR EACH ROOM: (RMT-RMRH)

•Room Temperature	•Status
•Relative Humidity	•Alarm/Caution Reason
	•Room Mode Override

- CONFIGURATION TYPE: (8)
DISPLAY POINTS FOR EACH ROOM: (RMT-ACH)

•Room Temperature	•Status
•Air Changes per Hour	•Alarm/Caution Reason
	•Room Mode Override

THREE ROOM CONFIGURATIONS (3RM)

- CONFIGURATION TYPE: (9)
DISPLAY POINTS FOR EACH ROOM: (RMP-RMT)

•Room Pressure	•Status
•Room Temperature	•Alarm/Caution Reason
	•Room Mode Override

- CONFIGURATION TYPE: (10)
DISPLAY POINTS FOR EACH ROOM: (RMP-ACH)

•Room Pressure	•Status
•Air Changes per Hour	•Alarm/Caution Reason
	•Room Mode Override

- CONFIGURATION TYPE: (11)
DISPLAY POINTS FOR EACH ROOM: (RMT-RMRH)

•Room Temperature	•Status
•Relative Humidity	•Alarm/Caution Reason
	•Room Mode Override

- CONFIGURATION TYPE: (12)
DISPLAY POINTS FOR EACH ROOM: (RMT-ACH)

•Room Temperature	•Status
•Air Changes per Hour	•Alarm/Caution Reason
	•Room Mode Override

NOTE: PLEASE REFER TO MVM MANUAL FOR INSTALLATION, SETUP INSTRUCTIONS AND ADDITIONAL INFORMATION.
SEE PROJECT SUBMITTAL SCHEDULE FOR SELECTED OPTIONS.

ALL METRIC DIMENSIONS () ARE SOFT CONVERTED. IMPERIAL DIMENSIONS ARE CONVERTED TO METRIC AND ROUNDED TO THE NEAREST MILLIMETER.
SPECIFICATIONS ARE SUBJECT TO CHANGE WITHOUT NOTICE.

CONFIGURATIONS (CONTINUED):

FOUR ROOM CONFIGURATIONS (4RM)

CONFIGURATION TYPE: (13)
DISPLAY POINTS FOR EACH ROOM: (RMP)

- Room Pressure
- Status
- Alarm/Caution Reason
- Room Mode Override

CONFIGURATION TYPE: (14)
DISPLAY POINTS FOR EACH ROOM: (RMT)

- Room Temperature
- Status
- Alarm/Caution Reason
- Room Mode Override

CONFIGURATION TYPE: (15)
DISPLAY POINTS FOR EACH ROOM: (ACH)

- Air Changes per Hour
- Status
- Alarm/Caution Reason
- Room Mode Override

SIX ROOM CONFIGURATIONS (6RM)

CONFIGURATION TYPE: (16)
DISPLAY POINTS FOR EACH ROOM: (RMP)

- Room Pressure
- Status
- Alarm/Caution Reason
- Room Mode Override

CONFIGURATION TYPE: (17)
DISPLAY POINTS FOR EACH ROOM: (RMT)

- Room Temperature
- Status
- Alarm/Caution Reason
- Room Mode Override

CONFIGURATION TYPE: (18)
DISPLAY POINTS FOR EACH ROOM: (ACH)

- Air Changes per Hour
- Status
- Alarm/Caution Reason
- Room Mode Override

EIGHT ROOM CONFIGURATIONS (8RM)

CONFIGURATION TYPE: (19)
DISPLAY POINTS FOR EACH ROOM: (RMP)

- Room Pressure
- Status
- Alarm/Caution Reason
- Room Mode Override

CONFIGURATION TYPE: (20)
DISPLAY POINTS FOR EACH ROOM: (RMT)

- Room Temperature
- Status
- Alarm/Caution Reason
- Room Mode Override

CONFIGURATION TYPE: (21)
DISPLAY POINTS FOR EACH ROOM: (ACH)

- Air Changes per Hour
- Status
- Alarm/Caution Reason
- Room Mode Override

NOTE: PLEASE REFER TO MVM MANUAL FOR INSTALLATION, SETUP INSTRUCTIONS AND ADDITIONAL INFORMATION.
SEE PROJECT SUBMITTAL SCHEDULE FOR SELECTED OPTIONS.

ALL METRIC DIMENSIONS () ARE SOFT CONVERTED. IMPERIAL DIMENSIONS ARE CONVERTED TO METRIC AND ROUNDED TO THE NEAREST MILLIMETER.
SPECIFICATIONS ARE SUBJECT TO CHANGE WITHOUT NOTICE.