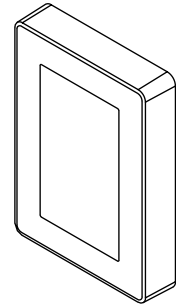
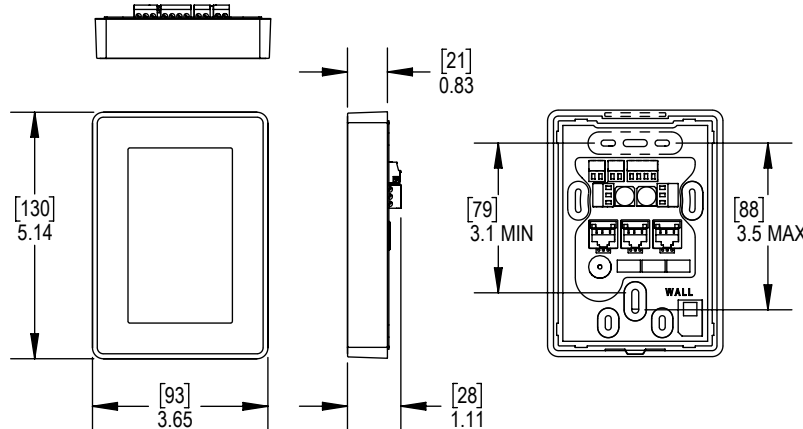


☐ LUME10

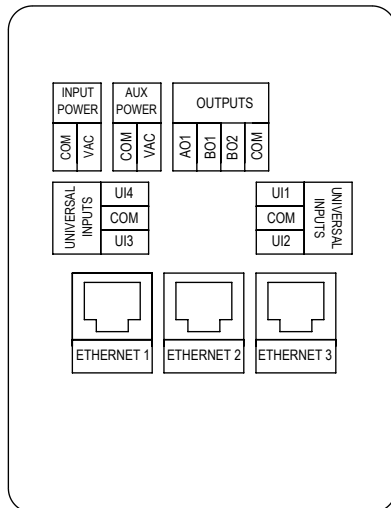
LUME SPECIFICATIONS	
ENVIRONMENTAL (OPERATING)	32°F to 130°F (0°C to 55°C), 5% to 95% R.H.(NON-CONDENSING)
ENVIRONMENTAL (STORAGE)	-22°F to 158°F (-30°C to 70°C), 0% to 95% R.H.(NON-CONDENSING)
INPUT POWER	24 VAC +/- 10%, 50/60 Hz, 15 VA MAX (EXCLUDING EXTERNAL LOADS), CLASS 2
INPUTS	4 UNIVERSAL INPUTS BINARY INPUT (CONTACT CLOSURE), ANALOG INPUT (0 to 10 VDC)
OUTPUTS	2 BINARY OUTPUTS (MAX: 24 VAC, 500 mA), 1 ANALOG OUTPUT (0 to 10 VDC, MAX: 10mA)
INDICATORS	CAPACITIVE TOUCH, 4.3in. (109mm) TFT/IPS, DIMMABLE, SPEAKER
HOUSING	UL 94 V-0, PC-ABS PLASTIC
MOUNTING	STANDARD NORTH AMERICAN SINGLE GANG 2in. x 4in. (51mm x 102mm) JUNCTION BOX ROUND EU WALL BOX 2.6in (68mm) OD 2.5in (64mm) ID



DIMENSIONS:



TERMINATION:

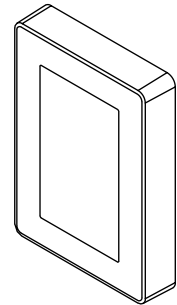


POWER	VAC	INPUT POWER, HOT
	COM	INPUT POWER, GROUND
	VAC	AUXILIARY POWER, HOT
	COM	AUXILIARY POWER, GROUND
OUTPUTS	A01	ANALOG OUTPUT 1
	BO1	BINARY OUTPUT 1
	BO2	BINARY OUTPUT 2
INPUTS	COM	OUTPUT GROUND
	U1	UNIVERSAL INPUT 1
	COM	UNIVERSAL INPUT GROUND
	UI2	UNIVERSAL INPUT 2
	UI3	UNIVERSAL INPUT 3
COMMISSIONING / SERVICE	COM	UNIVERSAL INPUT GROUND
	U4	UNIVERSAL INPUT 4
	ETHERNET	IP CONNECTION TO LAPTOP FOR CONFIGURATION
	ETHERNET	IP CONNECTION TO LAPTOP FOR CONFIGURATION
	ETHERNET	IP CONNECTION TO LAPTOP FOR CONFIGURATION

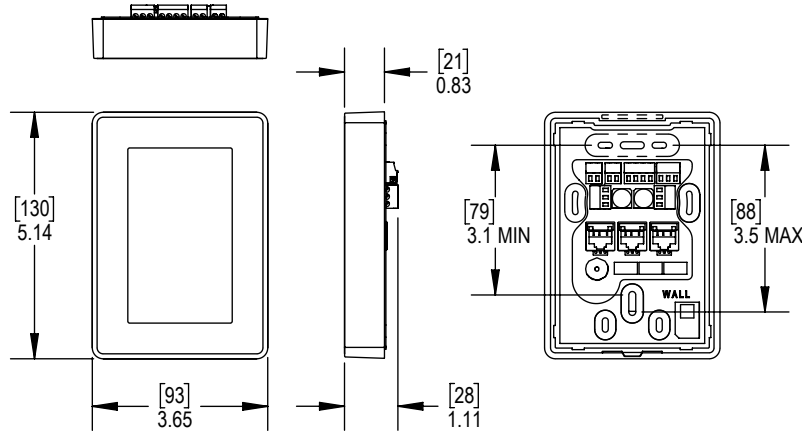
NOTE: PLEASE REFER TO LUME MANUAL FOR INSTALLATION AND SETUP INSTRUCTION. SEE PROJECT SUBMITTALS SCHEDULE FOR SELECTED OPTIONS.
ALL METRIC DIMENSIONS () ARE SOFT CONVERTED. IMPERIAL DIMENSIONS ARE CONVERTED TO METRIC AND ROUNDED TO THE NEAREST MILLIMETER.
SPECIFICATIONS ARE SUBJECT TO CHANGE WITHOUT NOTICE.

LUME11

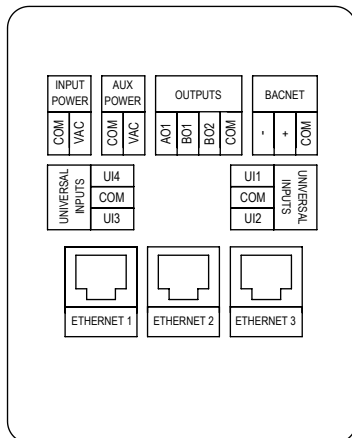
LUME SPECIFICATIONS		
ENVIRONMENTAL (OPERATING)	32°F to 130°F (0°C to 55°C), 5% to 95% R.H.(NON-CONDENSING)	
ENVIRONMENTAL (STORAGE)	-22°F to 158°F (-30°C to 70°C), 0% to 95% R.H.(NON-CONDENSING)	
INPUT POWER	24 VAC +/- 10%, 50/60 Hz, 15 VA MAX (EXCLUDING EXTERNAL LOADS), CLASS 2	
INPUTS	4 UNIVERSAL INPUTS BINARY INPUT (CONTACT CLOSURE), ANALOG INPUT (0 to 10 VDC)	
OUTPUTS	2 BINARY OUTPUTS (MAX: 24 VAC, 500 mA), 1 ANALOG OUTPUT (0 to 10 VDC, MAX: 10mA)	
INDICATORS	CAPACITIVE TOUCH, 4.3in. (109mm) TFT/IPS, DIMMABLE, SPEAKER	
HOUSING	UL 94 V-0, PC-ABS PLASTIC	
COMMUNICATION PROTOCOL	BACNET	
BACNET	DEVICE TYPE	B-AAC
	COMMUNICATION TYPE	MS/TP (RS-485)
	COMMUNICATION SPEED	9600, 19200, 38400, 76800
	CERTIFICATION	BTL
	CONTROL PRIORITY ORDER	1. BACNET 2. NORMAL OPERATION
MOUNTING	STANDARD NORTH AMERICAN SINGLE GANG 2in. x 4in. (51mm x 102mm) JUNCTION BOX ROUND EU WALL BOX 2.6in (68mm) OD 2.5in (64mm) ID	



DIMENSIONS:



TERMINATION:

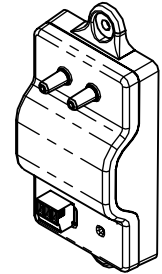


POWER	VAC	INPUT POWER, HOT
	COM	INPUT POWER, GROUND
	VAC	AUXILIARY POWER, HOT
	COM	AUXILIARY POWER, GROUND
OUTPUTS	AO1	ANALOG OUTPUT 1
	BO1	BINARY OUTPUT 1
	BO2	BINARY OUTPUT 2
	COM	OUTPUT GROUND
	-	BACnet -
BACnet	+	BACnet +
	COM	BACnet COM
	UI1	UNIVERSAL INPUT 1
	COM	UNIVERSAL INPUT GROUND
INPUTS	UI2	UNIVERSAL INPUT 2
	UI3	UNIVERSAL INPUT 3
	COM	UNIVERSAL INPUT GROUND
	UI4	UNIVERSAL INPUT 4
	COMMISSIONING / SERVICE	ETHERNET
ETHERNET		IP CONNECTION TO LAPTOP FOR CONFIGURATION
ETHERNET		IP CONNECTION TO LAPTOP FOR CONFIGURATION

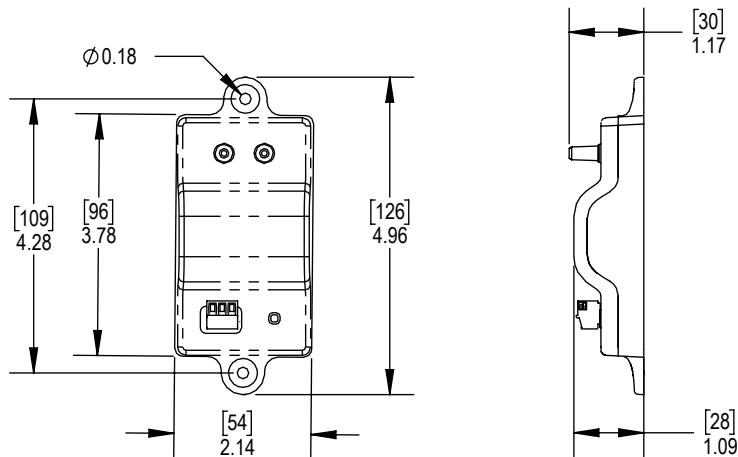
NOTE: PLEASE REFER TO LUME MANUAL FOR INSTALLATION AND SETUP INSTRUCTION. SEE PROJECT SUBMITTALS SCHEDULE FOR SELECTED OPTIONS.
ALL METRIC DIMENSIONS () ARE SOFT CONVERTED. IMPERIAL DIMENSIONS ARE CONVERTED TO METRIC AND ROUNDED TO THE NEAREST MILLIMETER.
SPECIFICATIONS ARE SUBJECT TO CHANGE WITHOUT NOTICE.

- NO SDPT (Sensor provided by Others)
- SDPT 0.25B

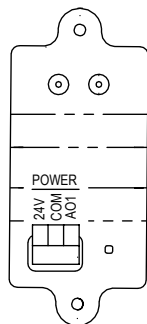
SDPT SPECIFICATIONS	
ENVIRONMENTAL (OPERATING)	-40°C to 85°C (-40°F to 185°F), 0% to 95% R.H. (NON-CONDENSING)
ENVIRONMENTAL (STORAGE)	-40°C to 85°C (-40°F to 185°F), 5% to 95% R.H. (NON-CONDENSING)
INPUT POWER	24 VAC +/- 10%, 50/60HZ, 4 VA or FROM 14-32 VDC, 10 mA, Class 2
OUTPUTS	1 ANALOG OUTPUT (2 TO 10VDC)
INDICATORS	1 STATUS LED
RANGE	-0.25 to 0.25 in.w.c. (-60 to 60Pa)
PRESSURE EQUATION	in.w.c. = 0.0625 * VDC - 0.375 (Pa = 15 * VDC - 90)
ACCURACY	3% OF READING
HOUSING	UL 94 V-0, PC-ABS PLASTIC



DIMENSIONS:



TERMINATION:



24V	INPUT POWER, HOT
COM	INPUT POWER, GROUND
AO1	PRESSURE OUTPUT

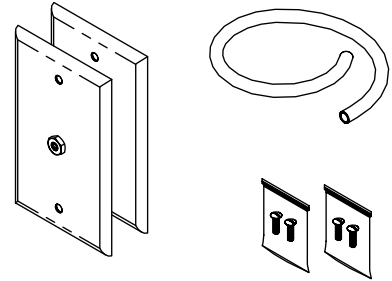
NOTE: PLEASE REFER TO LUME MANUAL FOR INSTALLATION AND SETUP INSTRUCTION. SEE PROJECT SUBMITTALS SCHEDULE FOR SELECTED OPTIONS.
ALL METRIC DIMENSIONS () ARE SOFT CONVERTED. IMPERIAL DIMENSIONS ARE CONVERTED TO METRIC AND ROUNDED TO THE NEAREST MILLIMETER.
SPECIFICATIONS ARE SUBJECT TO CHANGE WITHOUT NOTICE.

FACE PLATES:

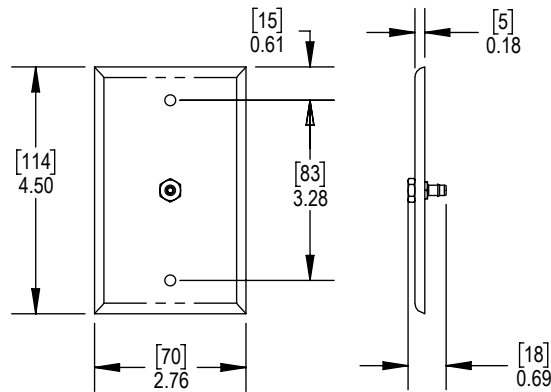
STAINLESS STEEL

STAINLESS STEEL SPECIFICATION	
MATERIAL	18-8 STAINLESS STEEL
MOUNTING	STANDARD NORTH AMERICAN SINGLE GANG 2in. x 4in. (51mm x 102mm) JUNCTION BOX (MOUNTING HARDWARE INCLUDED)

TUBING SPECIFICATION	
LENGTH	96in (2438mm)
DIMENSIONS	5/32" I.D x 9/32" O.D x 1/16" W
MATERIAL	CLEAR, PVC FIRE-RATED



DIMENSIONS:

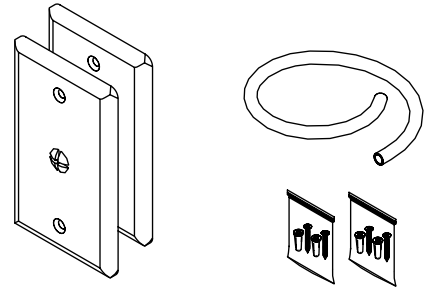


NOTE: PLEASE REFER TO LUME MANUAL FOR INSTALLATION AND SETUP INSTRUCTION. SEE PROJECT SUBMITTALS SCHEDULE FOR SELECTED OPTIONS.
ALL METRIC DIMENSIONS () ARE SOFT CONVERTED. IMPERIAL DIMENSIONS ARE CONVERTED TO METRIC AND ROUNDED TO THE NEAREST MILLIMETER.
SPECIFICATIONS ARE SUBJECT TO CHANGE WITHOUT NOTICE.

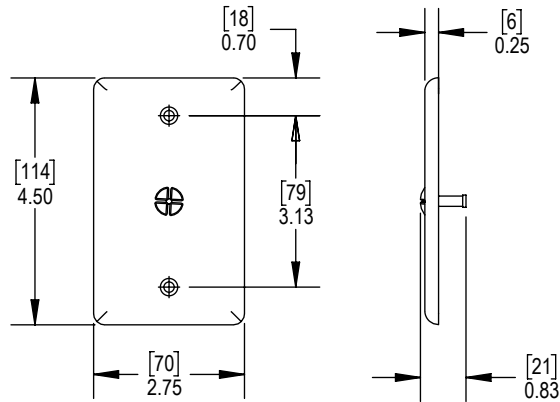
PLASTIC

ABS PLASTIC SPECIFICATION	
MATERIAL	WHITE, ABS PLASTIC
MOUNTING	STANDARD NORTH AMERICAN SINGLE GANG 2in. x 4in. (51mm x 102mm) JUNCTION BOX or DRYWALL MOUNT (MOUNTING HARDWARE INCLUDED)

TUBING SPECIFICATION	
LENGTH	96in (2438mm)
DIMENSIONS	5/32" I.D x 9/32" O.D x 1/16" W
MATERIAL	CLEAR, PVC FIRE-RATED



DIMENSIONS:



NOTE: PLEASE REFER TO LUME MANUAL FOR INSTALLATION AND SETUP INSTRUCTION. SEE PROJECT SUBMITTALS SCHEDULE FOR SELECTED OPTIONS.
ALL METRIC DIMENSIONS () ARE SOFT CONVERTED. IMPERIAL DIMENSIONS ARE CONVERTED TO METRIC AND ROUNDED TO THE NEAREST MILLIMETER.
SPECIFICATIONS ARE SUBJECT TO CHANGE WITHOUT NOTICE.



Room Pressure Monitor

LUME-1-X
Sheet 6 of 7

Product Submittal

275288
Rev. B
2023-06-28

BACNET POINTS LIST v1.0.0 OR NEWER					
Object	Name	Units	Range	Description	Write Setting
<i>Note: AI, BI, AO, and BO points are hidden when no input/output is configured</i>					
ANALOG INPUTS					
AI1	AI1 – [AI1 Input Name]	Dynamic	Dynamic	Analog Input with multiple uses See Input section of the LUME manual for options	R
AI2	AI2 – [AI2 Input Name]	Dynamic	Dynamic	Analog Input with multiple uses See Input section of the LUME manual for options	R
AI3	AI3 – [AI3 Input Name]	Dynamic	Dynamic	Analog Input with multiple uses See Input section of the LUME manual for options	R
AI4	AI4 – [AI4 Input Name]	Dynamic	Dynamic	Analog Input with multiple uses See Input section of the LUME manual for options	R
BINARY INPUTS					
BI1	BI1 – [BI1 Input Name]	Open/Closed	Open/Closed	Binary Input with multiple uses See Input section of the LUME manual for options	R
BI2	BI2 – [BI2 Input Name]	Open/Closed	Open/Closed	Binary Input with multiple uses See Input section of the LUME manual for options	R
BI3	BI3 – [BI3 Input Name]	Open/Closed	Open/Closed	Binary Input with multiple uses See Input section of the LUME manual for options	R
BI4	BI4 – [BI4 Input Name]	Open/Closed	Open/Closed	Binary Input with multiple uses See Input section of the LUME manual for options	R
ANALOG OUTPUTS					
AO1	AO1 – [AO1 Output Name]	VDC	0 to 10	Analog Output with multiple uses See Output section of the LUME manual for options	R/W
BINARY OUTPUTS					
BO1	BO1 – [BO1 Output Name]	Active/Inactive	Active/Inactive	Binary Output with multiple uses See Output section of the LUME manual for options	R/W
BO2	BO2 – [BO2 Output Name]	Active/Inactive	Active/Inactive	Binary Output with multiple uses See Output section of the LUME manual for options	R/W
ANALOG VALUE					
AV101	[Room Name] Pressure	in.w.c.; Pa	-5.0 to 5.0 in.w.c. (-1245 to 1245 Pa)	Room Pressure Reading	R
AV102	[Room Name] Low Pressure Alarm	in.w.c.; Pa	-5.0 to 5.0 in.w.c. (-1245 to 1245 Pa)	Low room pressure alarm setpoint (+/-) Hidden if not enabled	R/W
AV103	[Room Name] Low Pressure Delay	sec	0 to 600 seconds	Low room pressure alarm delay value Hidden if not enabled	R/W
AV104	[Room Name] High Pressure Alarm	in.w.c.; Pa	-5.0 to 5.0 in.w.c. (-1245 to 1245 Pa)	High room pressure alarm setpoint (+/-) Hidden if not enabled	R/W
AV105	[Room Name] High Pressure Delay	sec	0 to 600 seconds	High room pressure alarm delay value Hidden if not enabled	R/W
MULTISTATE VALUE					
MV1	Audible Alarm	Text	3 states	Displays the current room alarm status 1 - On 2 - Off 3 - Muted	R
MV2	Room Mode	Text	2 states	Displays the current room mode 1 - [Room Mode 1 Name] 2 - [Room Mode 2 Name]	R/W

NOTE: PLEASE REFER TO LUME MANUAL FOR INSTALLATION AND SETUP INSTRUCTION. SEE PROJECT SUBMITTALS SCHEDULE FOR SELECTED OPTIONS.
ALL METRIC DIMENSIONS () ARE SOFT CONVERTED. IMPERIAL DIMENSIONS ARE CONVERTED TO METRIC AND ROUNDED TO THE NEAREST MILLIMETER.
SPECIFICATIONS ARE SUBJECT TO CHANGE WITHOUT NOTICE.



Room Pressure Monitor

LUME-1-X
Sheet 7 of 7

Product Submittal

275288
Rev. B
2023-06-28

BACNET POINTS LIST v1.0.0 OR NEWER (CONTINUED)					
Object	Name	Units	Range	Description	Write Setting
MV3	Room Mode Override	Text	2 states	Displays the current room mode override 1 - [Room Mode 1 Name] 2 - [Room Mode 2 Name]	R/W
MV99	Firmware Update Status	Text	4 states	Displays the current firmware update status 1 - Idle 2 - Start Firmware Update 3 - Updating Firmware 4 - Firmware Update Failed	R/W
MV101	[Room Name] Pressure Mode	Text	2 States	Displays the room pressure mode 1 - Positive 2 - Negative	R
MV102	[Room Name] Alarm Status	Text	5 states	Displays the current room alarm status 1 - Low Pressure Alarm 2 - High Pressure Alarm 3 - Binary Input Alarm 4 - Door Open Alarm 5 - No Alarm	R
MV103	[Room Name] Caution Status	Text	5 states	Displays the current room caution status 1 - Low Pressure Caution 2 - High Pressure Caution 3 - Binary Input Caution 4 - Door Open Caution 5 - No Caution	R
FILE					
FIL1	Firmware	-	-	The file object used for firmware upgrades - feature only available if supported by BAS	R/W
CALENDAR					
CAL1	Calendar Object	-	-	The calendar object used for scheduling	R/W
NOTIFICATION CLASS					
EVC1	Notification Class object	-	-	The notification class object for alarming	R/W
SCHEDULE					
SCH1	Room Mode Override Schedule	-	-	The scheduling object for scheduling room mode changes	R/W

NOTE: PLEASE REFER TO LUME MANUAL FOR INSTALLATION AND SETUP INSTRUCTION. SEE PROJECT SUBMITTALS SCHEDULE FOR SELECTED OPTIONS.
ALL METRIC DIMENSIONS () ARE SOFT CONVERTED. IMPERIAL DIMENSIONS ARE CONVERTED TO METRIC AND ROUNDED TO THE NEAREST MILLIMETER.
SPECIFICATIONS ARE SUBJECT TO CHANGE WITHOUT NOTICE.