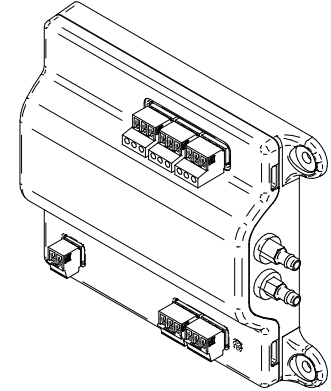
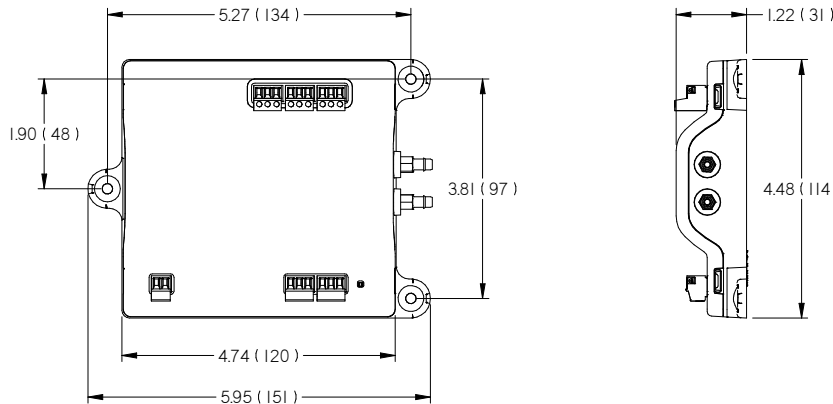


- VENTURI VALVE (VV)
PRESSURE SENSOR 0 to 4.0 in.w.c. (0 to 1000 Pa)

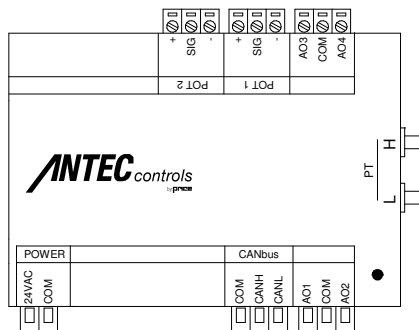
FVM SPECIFICATIONS:	
ENVIRONMENTAL (OPERATING)	32°F to 130°F (0°C to 55°C), 5% to 95% R.H.(NON-CONDENSING)
ENVIRONMENTAL (STORAGE)	-22°F to 158°F (-30°C to 70°C), 0% to 95% R.H.(NON-CONDENSING)
INPUT POWER	24 VAC, 50/60 Hz, 17 VA MAX, CLASS 2 or LPS PELV
INPUTS	CANbus, 2 POT INPUTS, 1 TRANSDUCER, 0-4 in.w.c. (0-1000 Pa)
OUTPUTS	4 ANALOG OUTPUTS (0 to 10 VDC, MAX:10 mA)
INDICATORS	STATUS LED
HOUSING	UL 94 V-0, PC-ABS PLASTIC



DIMENSIONS:



TERMINATION:



POWER	24VAC	INPUT POWER, HOT
	COM	INPUT POWER, GROUND
CANbus	COM	CANbus GROUND
	CANH	CANbus HIGH
	CANL	CANbus LOW
ANALOG OUTPUTS	AO1	ANALOG OUTPUT 1
	COM	ANALOG OUTPUT GROUND
	AO2	ANALOG OUTPUT 2
	AO3	ANALOG OUTPUT 3
	COM	ANALOG OUTPUT GROUND
POT 1	+	POTENTIOMETER FEEDBACK POWER
	SIG	POTENTIOMETER FEEDBACK SIGNAL
	-	POTENTIOMETER FEEDBACK GROUND
	COM	POTENTIOMETER FEEDBACK GROUND
POT 2	+	POTENTIOMETER FEEDBACK POWER
	SIG	POTENTIOMETER FEEDBACK SIGNAL
	-	POTENTIOMETER FEEDBACK GROUND

MOUNT:

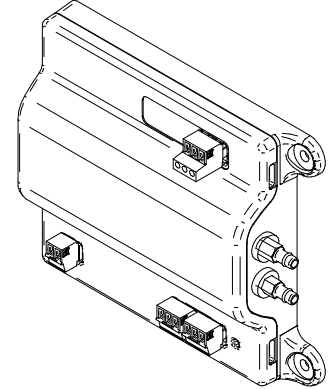
- AIRFLOW DEVICE MOUNTED (DEFAULT)

NOTE: PLEASE REFER TO CAVA MANUAL FOR INSTALLATION INSTRUCTIONS. SEE PROJECT SUBMITTAL SCHEDULE FOR SELECTED OPTIONS.

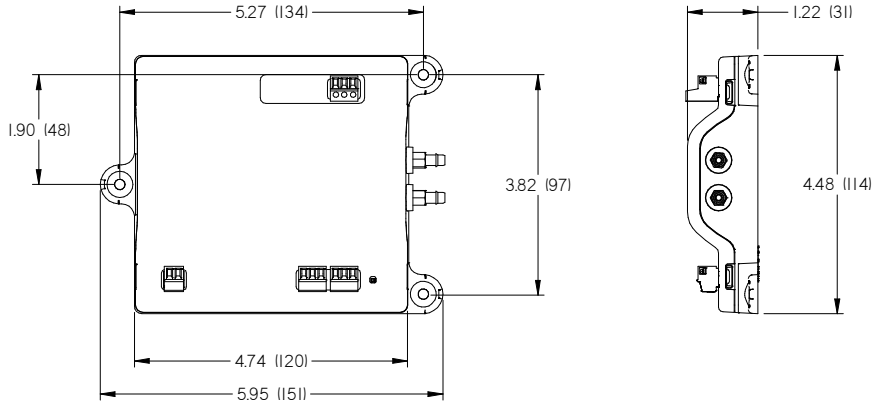
ALL METRIC DIMENSIONS () ARE SOFT CONVERTED. IMPERIAL DIMENSIONS ARE CONVERTED TO METRIC AND ROUNDED TO THE NEAREST MILLIMETER. SPECIFICATIONS ARE SUBJECT TO CHANGE WITHOUT NOTICE.

- VENTURI FX (VFX) or TERMINAL UNIT (TU)
PRESSURE SENSOR 0 to 4.0 in.w.c. (0 to 1000 Pa)

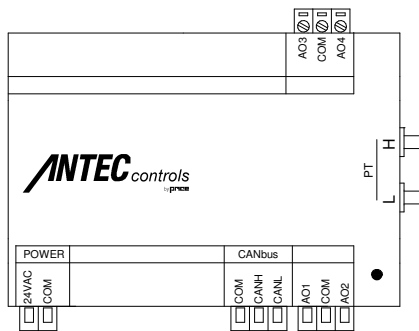
FVM SPECIFICATIONS:	
ENVIRONMENTAL (OPERATING)	32°F to 130°F (0°C to 55°C), 5% to 95% R.H.(NON-CONDENSING)
ENVIRONMENTAL (STORAGE)	-22°F to 158°F (-30°C to 70°C), 0% to 95% R.H.(NON-CONDENSING)
INPUT POWER	24 VAC, 50/60 Hz, 17 VA MAX, CLASS 2 or LPS PELV
INPUTS	CANbus, 1 TRANSDUCER, 0-4 in.w.c. (0-1000 Pa)
OUTPUTS	4 ANALOG OUTPUTS (0 to 10 VDC, MAX:10 mA)
INDICATORS	STATUS LED
HOUSING	UL 94 V-0, PC-ABS PLASTIC



DIMENSIONS:



TERMINATION:



POWER	24VAC	INPUT POWER, HOT
	COM	INPUT POWER, GROUND
CANbus	COM	CANbus GROUND
	CANH	CANbus HIGH
	CANL	CANbus LOW
ANALOG OUTPUTS	AO1	ANALOG OUTPUT 1
	COM	ANALOG OUTPUT GROUND
	AO2	ANALOG OUTPUT 2
	AO3	ANALOG OUTPUT 3
	COM	ANALOG OUTPUT GROUND
	AO4	ANALOG OUTPUT 4

MOUNT:

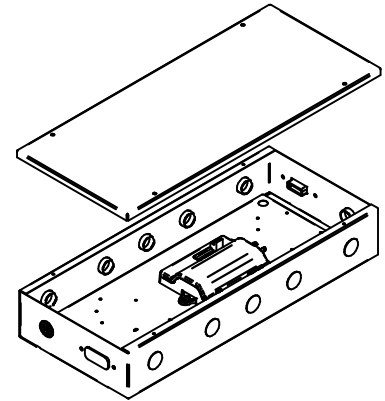
- AIRFLOW DEVICE MOUNTED (DEFAULT)

NOTE: PLEASE REFER TO CAVA MANUAL FOR INSTALLATION INSTRUCTIONS. SEE PROJECT SUBMITTAL SCHEDULE FOR SELECTED OPTIONS.

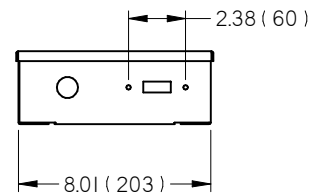
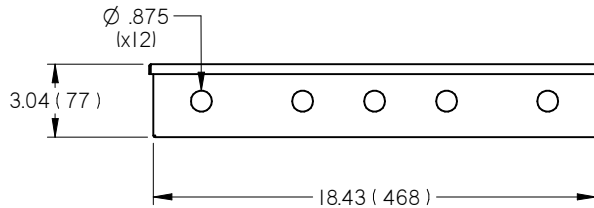
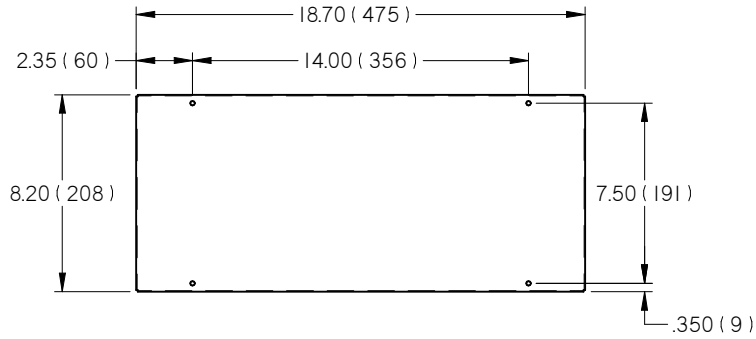
ALL METRIC DIMENSIONS () ARE SOFT CONVERTED. IMPERIAL DIMENSIONS ARE CONVERTED TO METRIC AND ROUNDED TO THE NEAREST MILLIMETER. SPECIFICATIONS ARE SUBJECT TO CHANGE WITHOUT NOTICE.

PANEL MOUNTED (PM)

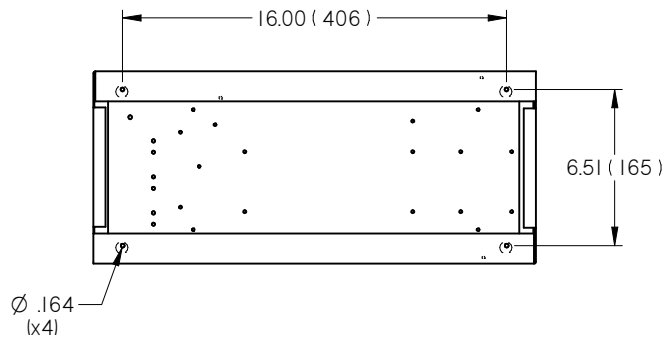
SPECIFICATIONS:	
MATERIAL	22 Ga GALV. STEEL
MOUNT	WALL MOUNT
KNOCKOUTS	12 x .875in, FOR 0.5in TRADE SIZE CONDUIT



DIMENSIONS:



MOUNTING DETAILS:



ALL METRIC DIMENSIONS () ARE SOFT CONVERTED. IMPERIAL DIMENSIONS ARE CONVERTED TO METRIC AND ROUNDED TO THE NEAREST MILLIMETER. SPECIFICATIONS ARE SUBJECT TO CHANGE WITHOUT NOTICE.