

ANTEC CONTROLS ENVIRONMENTAL SENSORS REFERENCE CHART

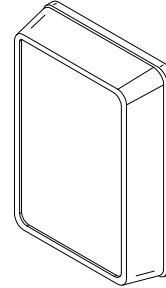
PART #	DESCRIPTION	SUBMITTAL SHEET #
506398	RM, TEMP	2
506399	RM, TEMP, LCD	3
506400	RM, TEMP, LCD, BTN	4
506965	RM, TEMP, LCD, BTN, OCC	5
506402	RM, TEMP, LCD, RH	6
506964	RM, TEMP, LCD, BTN, RH, OCC	7
076870-007	RM, TEMP, RH, CO2	8
076870-008	RM, TEMP, LCD, RH, CO2	9
076875-003	DT	10
076875-004	DT, RH	11

ALL METRIC DIMENSIONS () ARE SOFT CONVERTED. IMPERIAL DIMENSIONS ARE CONVERTED TO METRIC AND ROUNDED TO THE NEAREST MILLIMETER.
SPECIFICATIONS ARE SUBJECT TO CHANGE WITHOUT NOTICE.

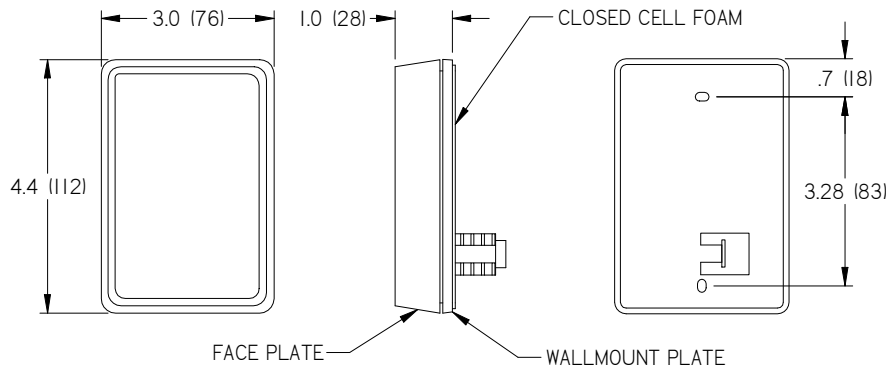
ROOM TEMPERATURE SENSOR (RM)

ES-RM SPECIFICATIONS:

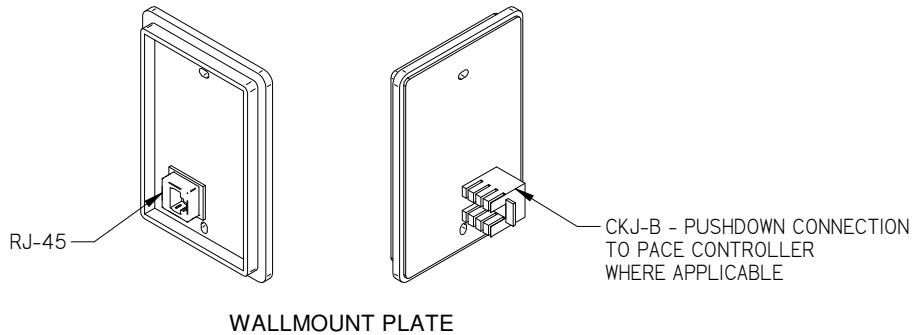
ENVIRONMENTAL (OPERATING)	32°F to 120°F (0°C to 50°C), 5% to 95% R.H.(NON-CONDENSING)
MOUNT	STANDARD 2in. x 4in. (51mm x 102mm) J-BOX or DRYWALL MOUNT
TEMPERATURE READING	10K-2 THERMISTOR, ±0.36°F, 32° to 158°F (±0.2°C, 0 to 70°C)
HOUSING	UL 94 V-0, ABS PLASTIC
COMMUNICATION PORT	RJ-45



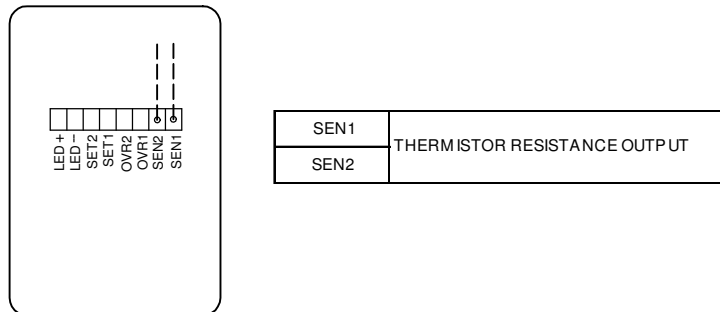
DIMENSIONS:



COMMUNICATION PORT:



TERMINATION:

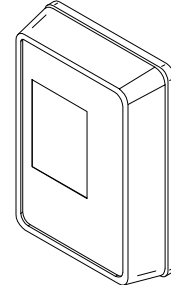


NOTE: PLEASE REFER TO PACE MANUAL FOR INSTALLATION INSTRUCTIONS.
SEE PROJECT SUBMITTAL SCHEDULE FOR SELECTED OPTIONS.

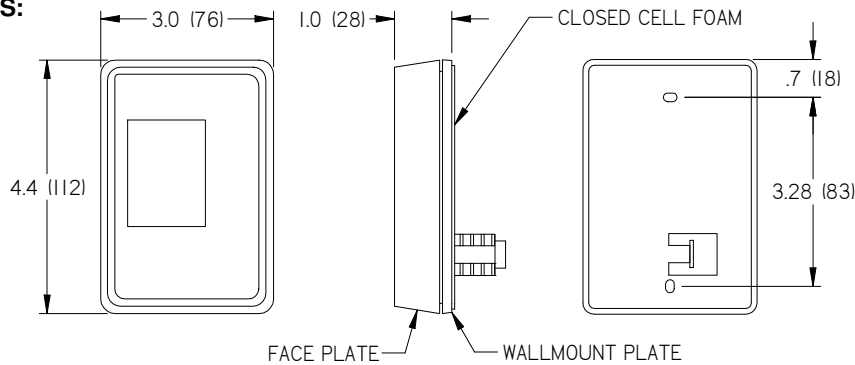
ALL METRIC DIMENSIONS () ARE SOFT CONVERTED. IMPERIAL DIMENSIONS ARE CONVERTED TO METRIC AND ROUNDED TO THE NEAREST MILLIMETER.
SPECIFICATIONS ARE SUBJECT TO CHANGE WITHOUT NOTICE.

ROOM TEMPERATURE SENSOR (RM) WITH DISPLAY (LCD)

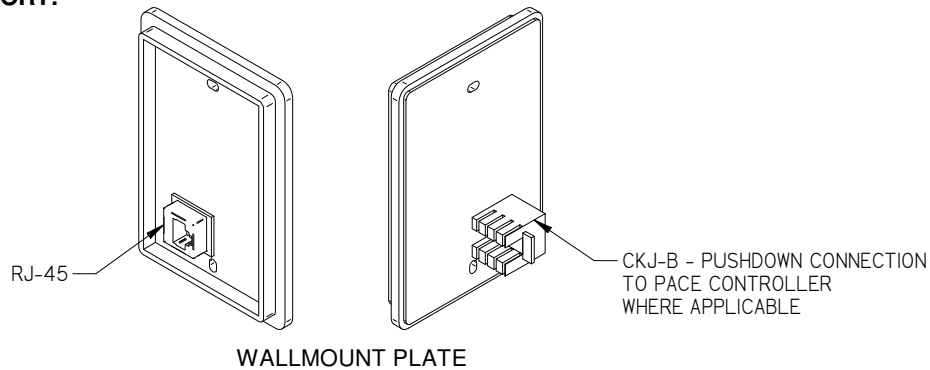
ES-RM-LCD SPECIFICATIONS:	
ENVIRONMENTAL (OPERATING)	32°F to 120°F (0°C to 50°C), 5% to 95% R.H.(NON-CONDENSING)
MOUNT	STANDARD 2in. x 4in. (51mm x 102mm) J-BOX or DRY WALL MOUNT
DISPLAY	LCD SCREEN
INPUT POWER	9 to 40 VDC or 15 to 28 VAC. (DO NOT RUN AC POWER IN THE SAME CONDUIT AS SIGNAL WIRES)
TEMPERATURE READING	10K-2 THERMISTOR, ±0.36°F, 32° to 158°F (±0.2°C, 0 to 70°C)
HOUSING	UL 94 V-0, ABS PLASTIC
COMMUNICATION PORT	RJ-45



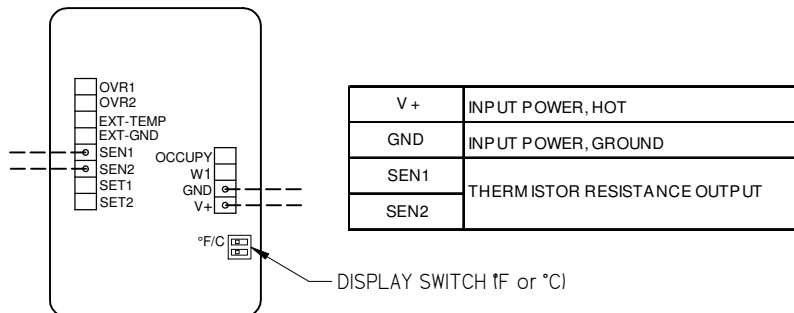
DIMENSIONS:



COMMUNICATION PORT:



TERMINATION:



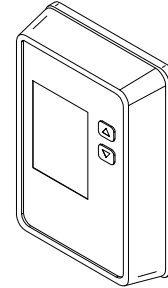
NOTE: PLEASE REFER TO PACE MANUAL FOR INSTALLATION INSTRUCTIONS.
SEE PROJECT SUBMITTAL SCHEDULE FOR SELECTED OPTIONS.

ALL METRIC DIMENSIONS () ARE SOFT CONVERTED. IMPERIAL DIMENSIONS ARE CONVERTED TO METRIC AND ROUNDED TO THE NEAREST MILLIMETER. SPECIFICATIONS ARE SUBJECT TO CHANGE WITHOUT NOTICE.

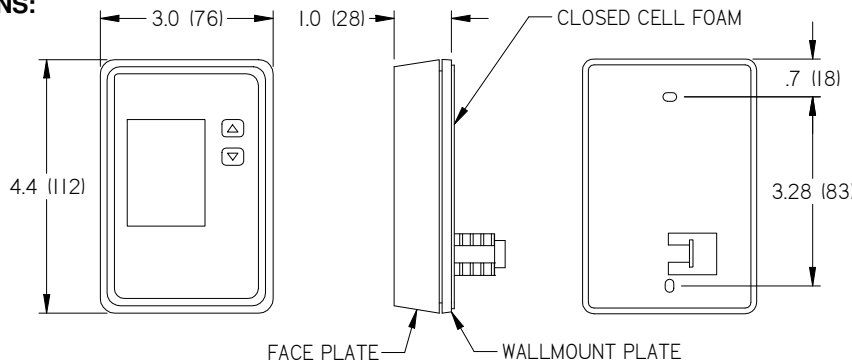
- ROOM TEMPERATURE SENSOR (RM) WITH DISPLAY (LCD) AND PUSHBUTTON SETPOINT ADJUSTMENT (BTN)

ES-RM-LCD-BTN SPECIFICATIONS:

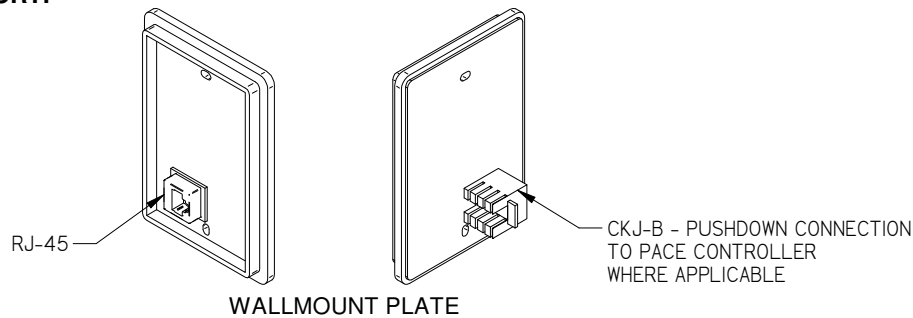
ENVIRONMENTAL (OPERATING)	32°F to 122°F (0°C to 50°C), 5% to 95% R.H.(NON-CONDENSING)
MOUNT	STANDARD 2in. x 4in. (51mm x 102mm) J-BOX or DRYWALL MOUNT
DISPLAY	LCD SCREEN
INPUT POWER	15 to 40 VDC or 15 to 28 VAC. (DO NOT RUN AC POWER IN THE SAME CONDUIT AS SIGNAL WIRES)
OUTPUT	1 ANALOG (0 to 10 VDC): TEMPERATURE SETPOINT - RANGE: 50°F to 90°F (10°C to 32°C)
INPUT TYPE	KEY PAD
TEMPERATURE READING	10K-2 THERMISTOR, ±0.36°F, 32° to 158°F (±0.2°C, 0 to 70°C)
HOUSING	UL 94 V-0, ABS PLASTIC
COMMUNICATION PORT	RJ-45



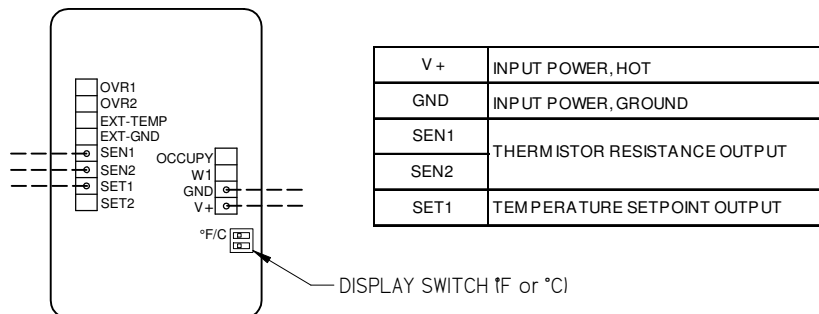
DIMENSIONS:



COMMUNICATION PORT:



TERMINATION:

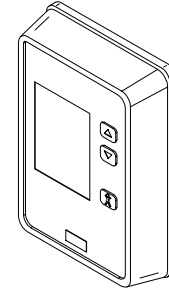


NOTE: PLEASE REFER TO PACE MANUAL FOR INSTALLATION INSTRUCTIONS.
SEE PROJECT SUBMITTAL SCHEDULE FOR SELECTED OPTIONS.

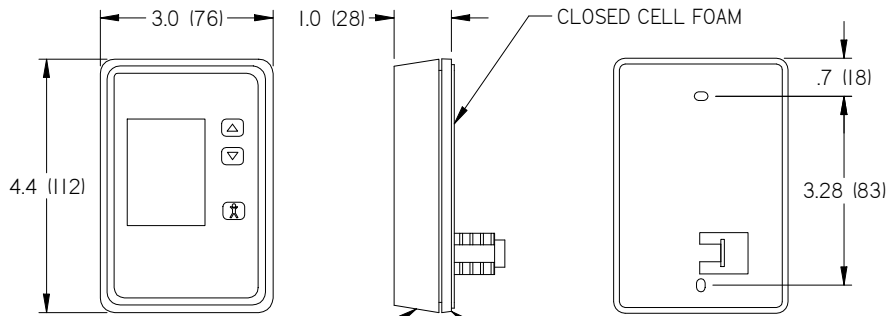
ALL METRIC DIMENSIONS () ARE SOFT CONVERTED. IMPERIAL DIMENSIONS ARE CONVERTED TO METRIC AND ROUNDED TO THE NEAREST MILLIMETER. SPECIFICATIONS ARE SUBJECT TO CHANGE WITHOUT NOTICE.

- ROOM TEMPERATURE SENSOR (RM) WITH DISPLAY (LCD),
PUSHBUTTON SETPOINT ADJUSTMENT (BTN) AND OCCUPANCY OVERRIDE (OCC)

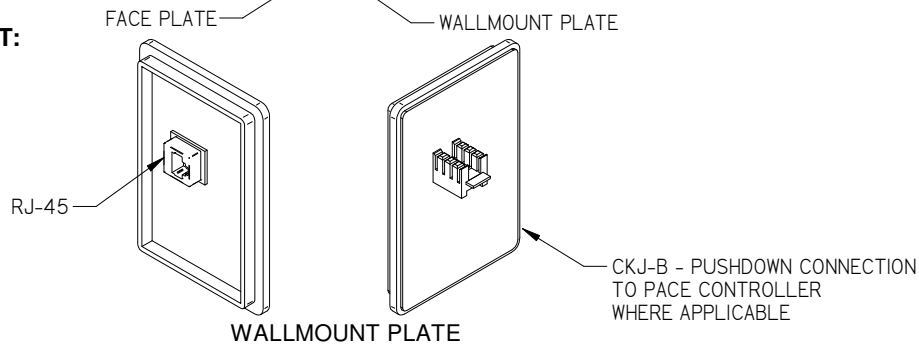
ES-RM-LCD-BTN-OCC SPECIFICATIONS:	
ENVIRONMENTAL (OPERATING)	32°F to 122°F (0°C to 50°C), 0 to 95% R.H.(NON-CONDENSING)
MOUNT	STANDARD 2in. x 4in. (51mm x 102mm) J-BOX or DRYWALL MOUNT
DISPLAY	LCD SCREEN
INPUT POWER	15 to 40 VDC or 15 to 28 VAC. (DO NOT RUN AC POWER IN THE SAME CONDUIT AS SIGNAL WIRES)
OUTPUTS	1 ANALOG (0 to 10 VDC): TEMPERATURE SETPOINT - RANGE: 50°F to 90°F (10°C to 32°C) 1 DRY CONTACT: OCCUPANCY OVERRIDE - WHEN OCC BUTTON IS PUSHED, A RESISTANCE OF 100Ω APPEARS FOR ~10 SECONDS
INPUT TYPE	KEYPAD
TEMPERATURE READING	10K-2 THERMISTOR, ±0.36°F, 32° to 158°F (±0.2°C, 0 to 70°C)
HOUSING	UL 94 V-0, ABS PLASTIC
COMMUNICATION PORT	RJ-45



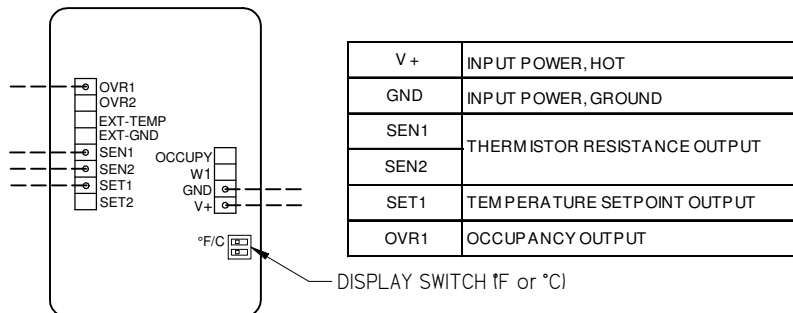
DIMENSIONS:



COMMUNICATION PORT:



TERMINATION:

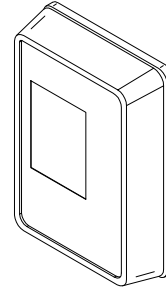


NOTE: PLEASE REFER TO PACE MANUAL FOR INSTALLATION INSTRUCTIONS.
SEE PROJECT SUBMITTAL SCHEDULE FOR SELECTED OPTIONS.

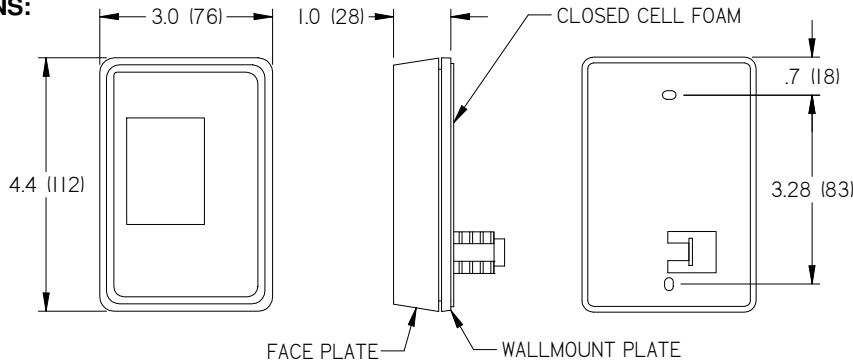
ALL METRIC DIMENSIONS () ARE SOFT CONVERTED. IMPERIAL DIMENSIONS ARE CONVERTED TO METRIC AND ROUNDED TO THE NEAREST MILLIMETER.
SPECIFICATIONS ARE SUBJECT TO CHANGE WITHOUT NOTICE.

- ROOM TEMPERATURE SENSOR (RM) WITH DISPLAY (LCD) AND RELATIVE HUMIDITY SENSOR (RH)

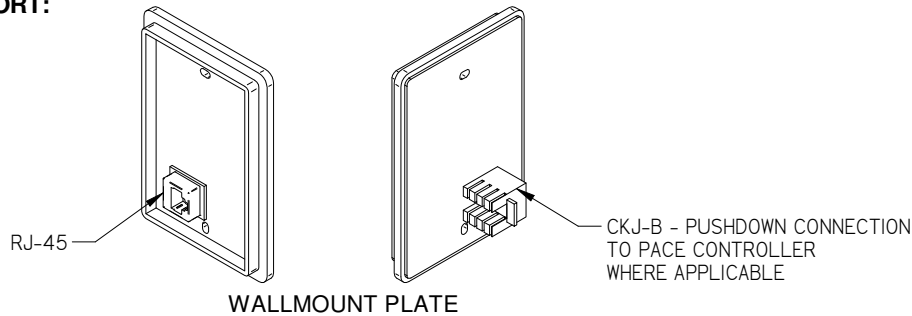
ES-RM-LCD-RH SPECIFICATIONS:	
ENVIRONMENTAL (OPERATING)	32°F to 120°F (0°C to 50°C), 5% to 95% R.H.(NON-CONDENSING)
MOUNT	STANDARD 2in. x 4in. (51mm x 102mm) J-BOX or DRY WALL MOUNT
DISPLAY	LCD SCREEN
INPUT POWER	15 to 35 VDC OR 15 to 28 VAC. (DO NOT RUN AC POWER IN THE SAME CONDUIT AS SIGNAL WIRES)
OUTPUT	1 ANALOG (0 to 10 VDC): HUMIDITY OUTPUT - RANGE: 0 to 100% RH
TEMPERATURE READING	10K-2 THERMISTOR, ±0.36°F, 32° to 158°F (±0.2°C, 0 to 70°C)
HUMIDITY READING	CAPACITIVE POLYMER, ±2% RH @ 77°F (25°C), 20 to 80% RH
HOUSING	UL 94 V-0, ABS PLASTIC
COMMUNICATION PORT	RJ-45



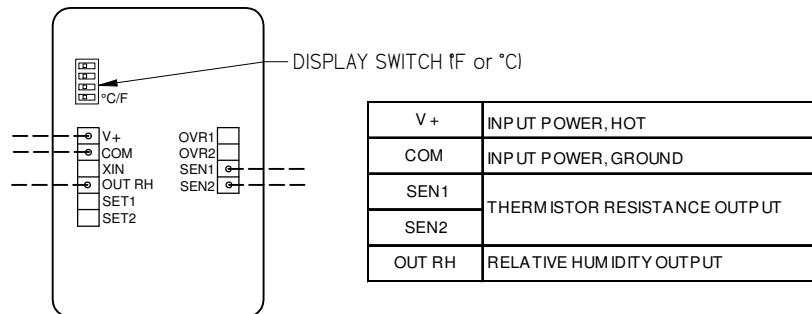
DIMENSIONS:



COMMUNICATION PORT:



TERMINATION:



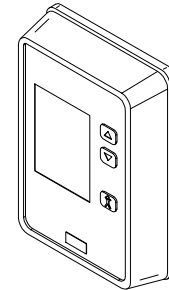
NOTE: PLEASE REFER TO PACE MANUAL FOR INSTALLATION INSTRUCTIONS.
SEE PROJECT SUBMITTAL SCHEDULE FOR SELECTED OPTIONS.

ALL METRIC DIMENSIONS () ARE SOFT CONVERTED. IMPERIAL DIMENSIONS ARE CONVERTED TO METRIC AND ROUNDED TO THE NEAREST MILLIMETER.
SPECIFICATIONS ARE SUBJECT TO CHANGE WITHOUT NOTICE.

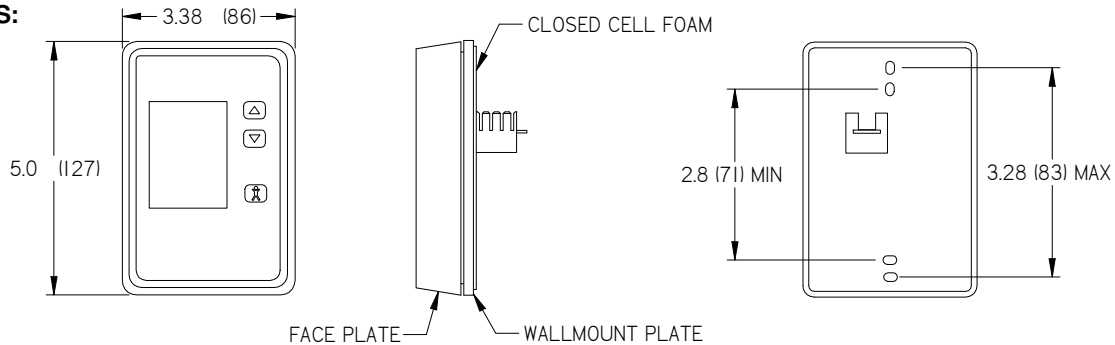
- ROOM TEMPERATURE SENSOR (RM) WITH DISPLAY (LCD),
PUSHBUTTON SETPOINT ADJUSTMENT (BTN), RELATIVE HUMIDITY SENSOR (RH) AND OCCUPANCY OVERRIDE (OCC)

ES-RM-LCD-BTN-RH-OCC SPECIFICATIONS:

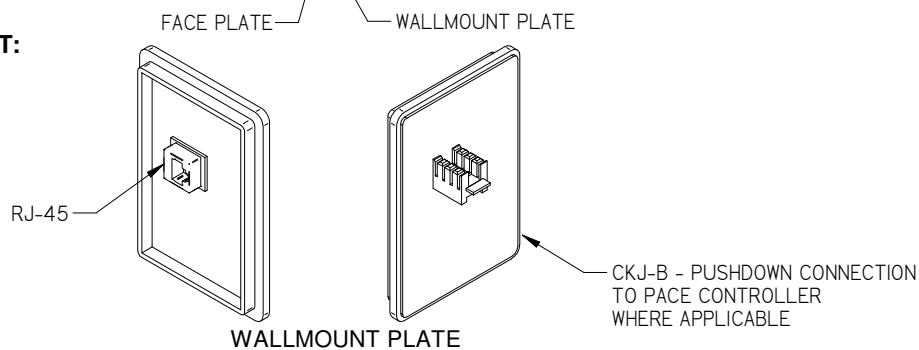
ENVIRONMENTAL (OPERATING)	32°F to 122°F (0°C to 50°C), 0 to 95% R.H.(NON-CONDENSING)
MOUNT	STANDARD 2in. x 4in. (51mm x 102mm) J-BOX or DRY WALL MOUNT
DISPLAY	LCD SCREEN
INPUT POWER	15 to 40 VDC or 15 to 28 VAC. (DO NOT RUN AC POWER IN THE SAME CONDUIT AS SIGNAL WIRES)
OUTPUTS	2 ANALOG (0 to 10 VDC): TEMPERATURE SETPOINT - RANGE: 50°F to 90°F (10°C to 32°C) HUMIDITY OUTPUT - RANGE: 0 to 100% RH 1 DRY CONTACT: OCCUPANCY OVERRIDE - WHEN OCC BUTTON IS PUSHED, A RESISTANCE OF 100Ω APPEARS FOR ~10 SECONDS
INPUT TYPE	KEYPAD
TEMPERATURE READING	10K-2 THERMISTOR, ±0.36°F, 32° to 158°F (±0.2°C, 0 to 70°C)
HUMIDITY READING	CAPACITIVE POLYMER, ±2% RH @ 77°F (25°C), 20 to 80% RH
HOUSING	UL 94 V-0, ABS PLASTIC
COMMUNICATION PORT	RJ-45



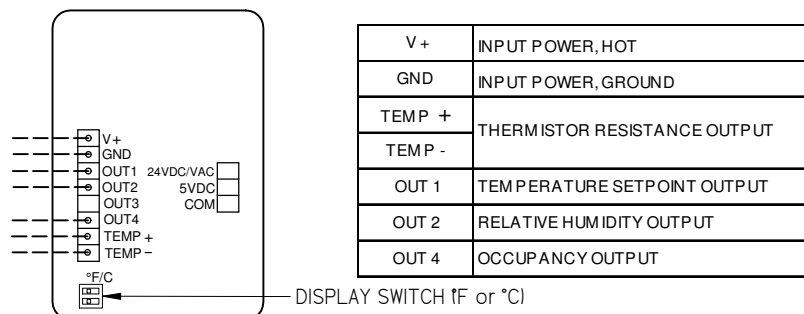
DIMENSIONS:



COMMUNICATION PORT:



TERMINATION:

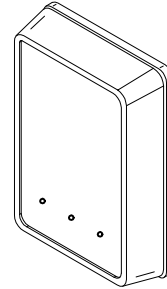


NOTE: PLEASE REFER TO PACE MANUAL FOR INSTALLATION INSTRUCTIONS.
SEE PROJECT SUBMITTAL SCHEDULE FOR SELECTED OPTIONS.

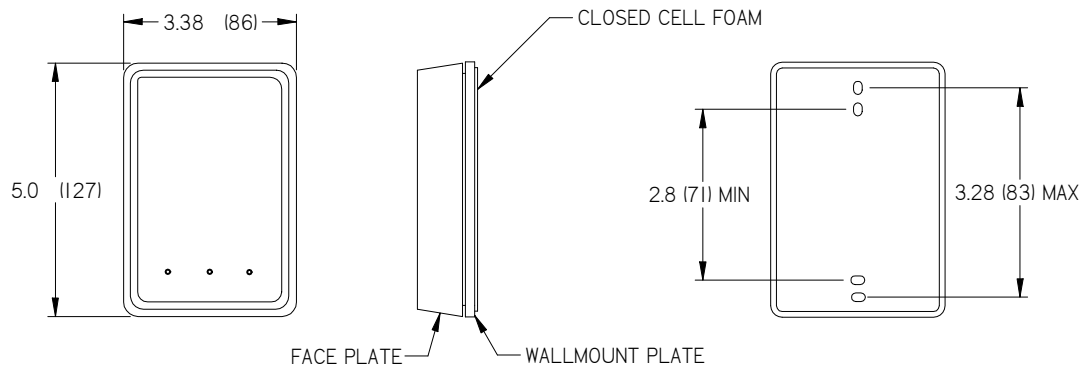
ALL METRIC DIMENSIONS () ARE SOFT CONVERTED. IMPERIAL DIMENSIONS ARE CONVERTED TO METRIC AND ROUNDED TO THE NEAREST MILLIMETER.
SPECIFICATIONS ARE SUBJECT TO CHANGE WITHOUT NOTICE.

- ROOM TEMPERATURE SENSOR (RM) WITH RELATIVE HUMIDITY SENSOR (RH) AND CARBON DIOXIDE SENSOR (CO2)

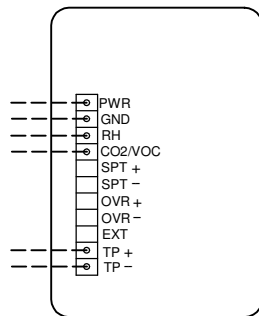
ES-RM-RH-CO2 SPECIFICATIONS:	
ENVIRONMENTAL (OPERATING)	32°F to 120°F (0°C to 50°C), 0 to 95% R.H.(NON-CONDENSING)
MOUNT	STANDARD 2in. x 4in. (51mm x 102mm) J-BOX or DRYWALL MOUNT
INPUT POWER	15 to 35 VDC (VDC ONLY)
OUTPUTS	2 ANALOG (0 to 10 VDC): HUMIDITY OUTPUT - RANGE: 0 to 100% RH CO2 OUTPUT - RANGE: 0 to 2000 ppm
TEMPERATURE READING	10K-2 THERMISTOR, ±0.36°F, 32° to 158°F (±0.2°C, 0 to 70°C)
HUMIDITY READING	CAPACITIVE POLYMER, ±2% RH @ 77°F (25°C), 20 to 80% RH
CO2 READING	0 to 2000 ppm DUAL CHANNEL NON-DISPERSIVE INFRARED, ±2% OF READING (min. 77ppm)
HOUSING	UL 94 V-0, ABS PLASTIC



DIMENSIONS:



TERMINATION:



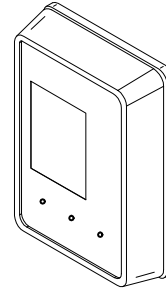
PWR	INPUT POWER, HOT
GND	INPUT POWER, GROUND
TP +	THERMISTOR RESISTANCE OUTPUT
TP -	
RH	RELATIVE HUMIDITY OUTPUT
CO2/VOC	CO2 OUTPUT

NOTE: PLEASE REFER TO PACE MANUAL FOR INSTALLATION INSTRUCTIONS.
SEE PROJECT SUBMITTAL SCHEDULE FOR SELECTED OPTIONS.

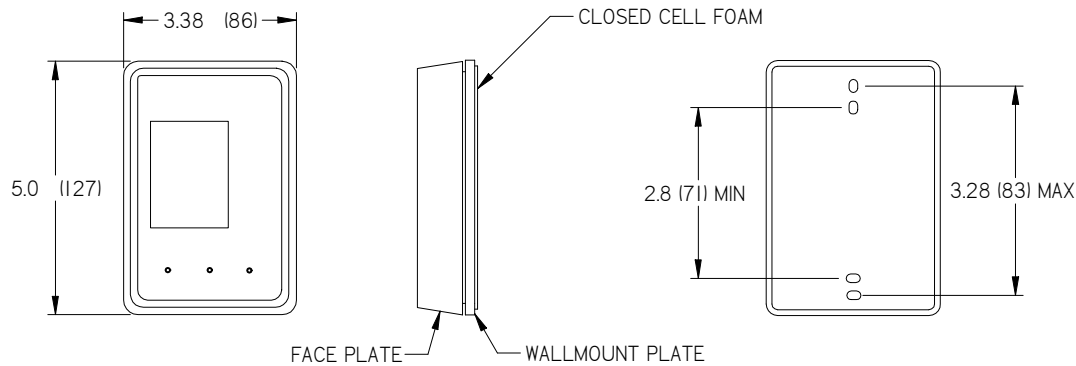
ALL METRIC DIMENSIONS () ARE SOFT CONVERTED. IMPERIAL DIMENSIONS ARE CONVERTED TO METRIC AND ROUNDED TO THE NEAREST MILLIMETER.
SPECIFICATIONS ARE SUBJECT TO CHANGE WITHOUT NOTICE.

- ROOM TEMPERATURE SENSOR (RM) WITH DISPLAY (LCD), RELATIVE HUMIDITY SENSOR (RH) AND CARBON DIOXIDE SENSOR (CO2)

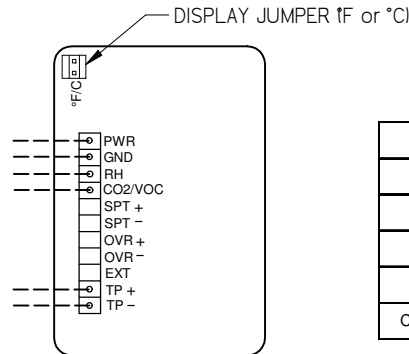
ES-RM-LCD-RH-CO2 SPECIFICATIONS:	
ENVIRONMENTAL (OPERATING)	32°F to 120°F (0°C to 50°C), 5% to 95% R.H.(NON-CONDENSING)
MOUNT	STANDARD 2in. x 4in. (51mm x 102mm) J-BOX or DRYWALL MOUNT
DISPLAY	LCD SCREEN
INPUT POWER	15 to 35 VDC (VDC ONLY)
OUTPUT	2 ANALOG (0 to 10 VDC): HUMIDITY OUTPUT - RANGE: 0 to 100% RH CO2 OUTPUT - RANGE: 0 to 2000 ppm
TEMPERATURE READING	10K-2 THERMISTOR, ±0.36°F, 32° to 158°F (±0.2°C, 0 to 70°C)
HUMIDITY READING	CAPACITIVE POLYMER, ±2% RH @ 77°F (25°C), 20 to 80% RH
CO2 READING	0 to 2000 ppm DUAL CHANNEL NON-DISPERSIVE INFRARED, ±2% OF READING (min. 77ppm)
HOUSING	UL 94 V-0, ABS PLASTIC



DIMENSIONS:



TERMINATION:



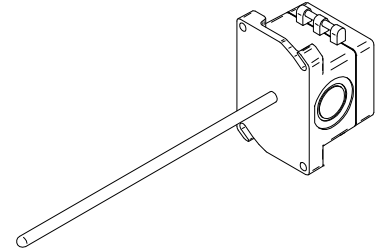
PWR	INPUT POWER, HOT
GND	INPUT POWER, GROUND
TP +	THERMISTOR RESISTANCE OUTPUT
TP -	
RH	RELATIVE HUMIDITY OUTPUT
CO2/VOC	CO2 OUTPUT

NOTE: PLEASE REFER TO PACE MANUAL FOR INSTALLATION INSTRUCTIONS.
SEE PROJECT SUBMITTAL SCHEDULE FOR SELECTED OPTIONS.

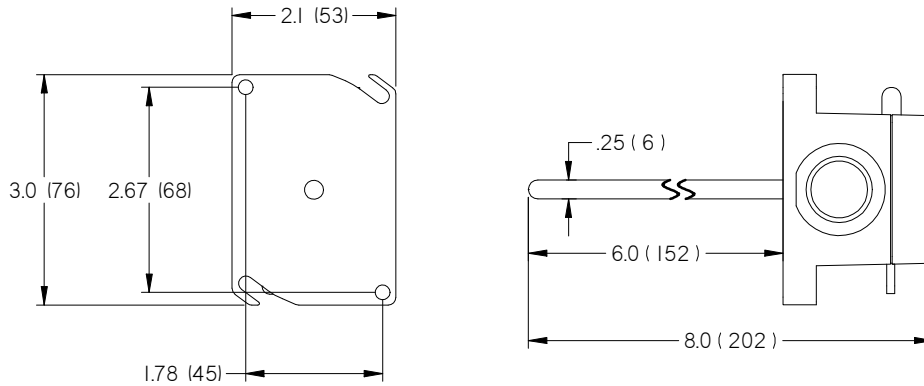
ALL METRIC DIMENSIONS () ARE SOFT CONVERTED. IMPERIAL DIMENSIONS ARE CONVERTED TO METRIC AND ROUNDED TO THE NEAREST MILLIMETER. SPECIFICATIONS ARE SUBJECT TO CHANGE WITHOUT NOTICE.

DUCT MOUNTED SENSOR (DT)

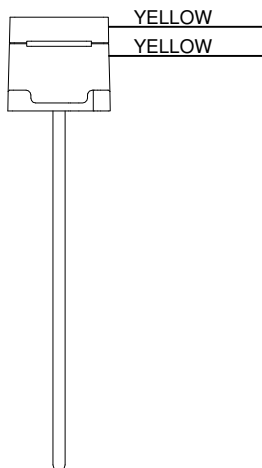
ES-DT SPECIFICATIONS:	
ENVIRONMENTAL (OPERATING)	-40°F to 185°F (-4°C to 85°C), 0 to 95% R.H.(NON-CONDENSING)
TEMPERATURE READING	10K-2 THERMISTOR, ±0.36°F, 32° to 158°F (±0.2°C, 0 to 70°C)
PROBE	304 STAINLESS STEEL PROBE, 0.25in. (7mm) DIAMETER, 6in. (152mm) LENGTH
HOUSING	PC PLASTIC, UL 94 V-0, IP10, NEMA1



DIMENSIONS:



TERMINATION:



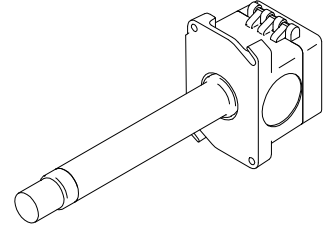
YELLOW	THERMISTOR RESISTANCE OUTPUT
YELLOW	

NOTE: PLEASE REFER TO PACE MANUAL FOR INSTALLATION INSTRUCTIONS.
SEE PROJECT SUBMITTAL SCHEDULE FOR SELECTED OPTIONS.

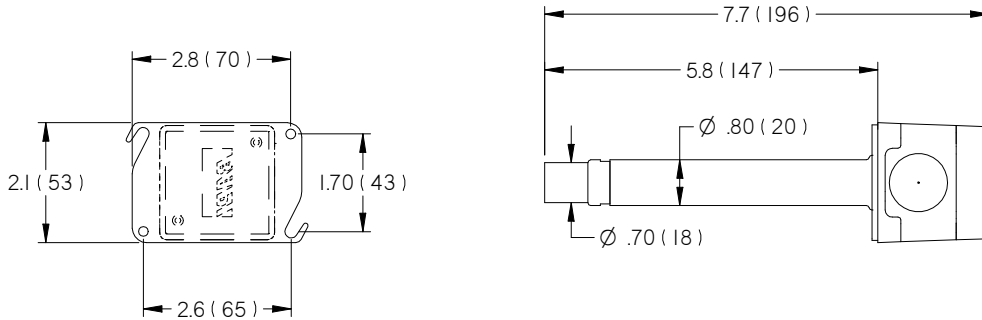
ALL METRIC DIMENSIONS () ARE SOFT CONVERTED. IMPERIAL DIMENSIONS ARE CONVERTED TO METRIC AND ROUNDED TO THE NEAREST MILLIMETER.
SPECIFICATIONS ARE SUBJECT TO CHANGE WITHOUT NOTICE.

DUCT MOUNTED SENSOR (DT) WITH RELATIVE HUMIDITY SENSOR (RH)

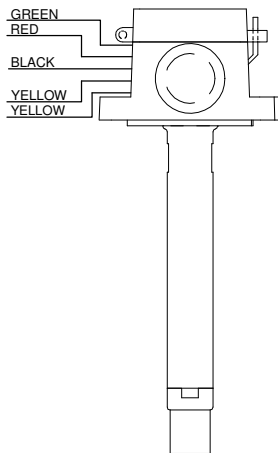
ES-DT-RH SPECIFICATIONS:	
ENVIRONMENTAL (OPERATING)	-40°F to 158°F (-4°C to 70°C), 0 to 100% R.H.(NON-CONDENSING)
INPUT POWER	15 to 35 VDC OR 15 to 24 VAC
TEMPERATURE READING	10K-2 THERMISTOR, ±0.36°F, 32° to 158°F (±0.2°C, 0 to 70°C)
HUMIDITY READING	CAPACITIVE POLYMER, ±2% RH @ 73°F (23°C), 10 to 90% RH
OUTPUT	0 to 10 VDC, RANGE: 0 to 100% RH
PROBE	PC PLASTIC WITH STAINLESS STEEL FILTER
HOUSING	PC PLASTIC, UL 94 V-0, IP66, NEMA 4



DIMENSIONS:



TERMINATION:



RED	INPUT POWER, HOT
BLACK	INPUT POWER, GROUND
YELLOW	THERMISTOR RESISTANCE OUTPUT
YELLOW	
GREEN	RELATIVE HUMIDITY OUTPUT

NOTE: PLEASE REFER TO PACE MANUAL FOR INSTALLATION INSTRUCTIONS.
SEE PROJECT SUBMITTAL SCHEDULE FOR SELECTED OPTIONS.

ALL METRIC DIMENSIONS () ARE SOFT CONVERTED. IMPERIAL DIMENSIONS ARE CONVERTED TO METRIC AND ROUNDED TO THE NEAREST MILLIMETER.
SPECIFICATIONS ARE SUBJECT TO CHANGE WITHOUT NOTICE.