

Spring-return Damper Actuator

8Nm

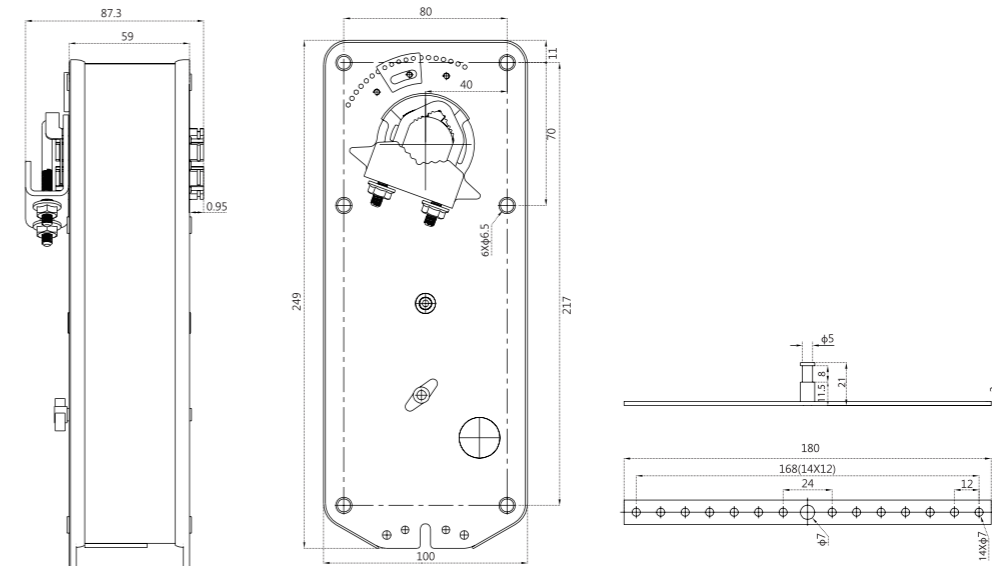
ON/OFF, 2-Point

LFT8.SR24.D/DS
LFT8.SR230.D/DS

For operation of air control dampers in HVAC systems.
Torque: 8Nm
Nominal voltage: AC/DC24V, AC100-240V
Control: ON/OFF, 2-Point
-DS type include 2 auxiliary switch.



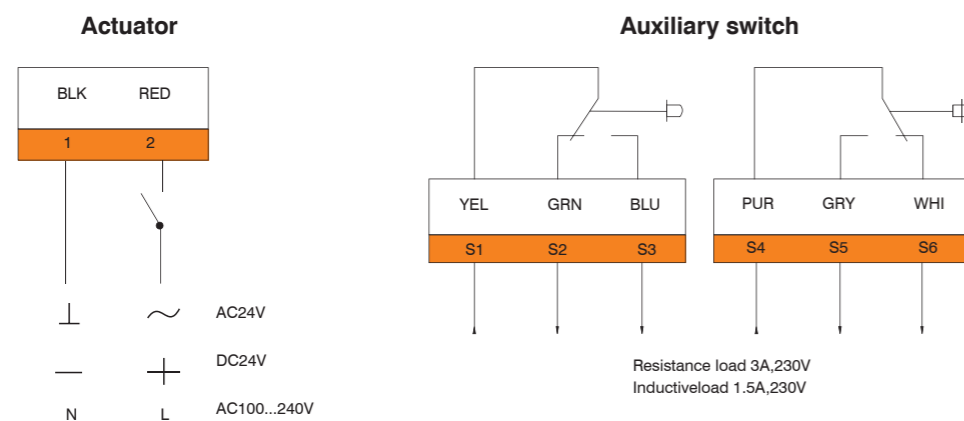
Actuator Dimensions(mm)



Model Selection Table

Torque	Running Time	Power Supply	Auxiliary Switch	Model/Type
8Nm	75-95S/25S	24VAC/DC	None	LFT8.SR24.D
8Nm	75-95S/25S	24VAC/DC	2-SPDT	LFT8.SR24.DS
8Nm	75-95S/25S	100-240VAC	None	LFT8.SR230.D
8Nm	75-95S/25S	100-240VAC	2-SPDT	LFT8.SR230.DS

Wiring Diagram



Technical specification

		LFT8.SR24.D/DS	LFT8.SR230.D/DS
Electrical data	Nominal voltage	AC24V 50/60Hz DC24V	AC100...240V 50/60Hz
	Nominal voltage range	AC/DC 19.2...28.8V	AC85...265V
	Power consumption	5W@Nominal torque/3W@holding	
	Wire sizing	0.5m ²	
Function data	Torque	8Nm	
	Damper size	1.5m ²	
	Direction of rotation	Selected by mounting L/R	
	Manual override	Yes	
	Angle of rotation	Max 95°, adjustable by mechanical stop	
	Running time	75...95S/25S (Spring reset)	
	Sound power level	45dB	
Working conditions	Position indication	Mechanical	
	Protection class	III (safety low voltage)	II (totally insulated)
	Protection degree	IP54	
	Ambient temperature	-20...+50°C/IEC 721-3-3	
Dimensions	Inventory temperature	-30...+80°C/IEC 721-3-2	
	Humidity test	95%RH, non condensing(EN60730-1)	
	Dimensions (L×W×H)	See "Dimensions"	
Weight	Shaft length	> 90mm	
	Shaft diameter	8...21mm ○ 6×6 □ 15×15mm	
	Weight	< 2.3kg	