

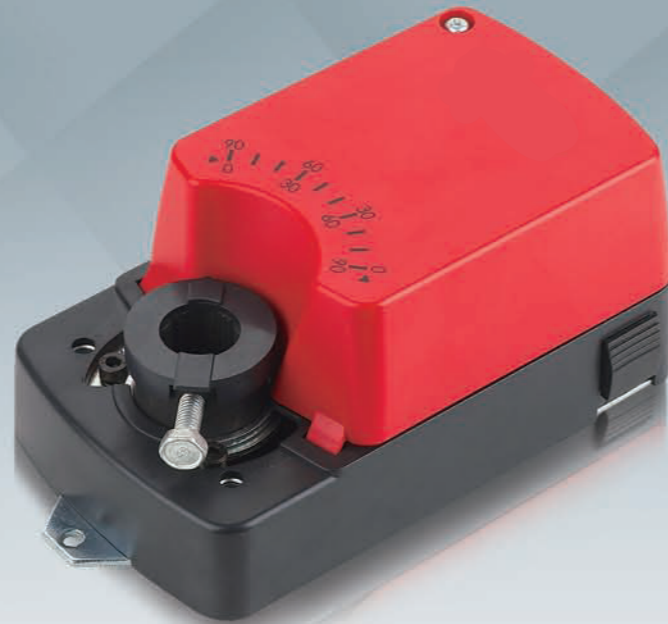
## General Damper Actuator

4Nm/6Nm

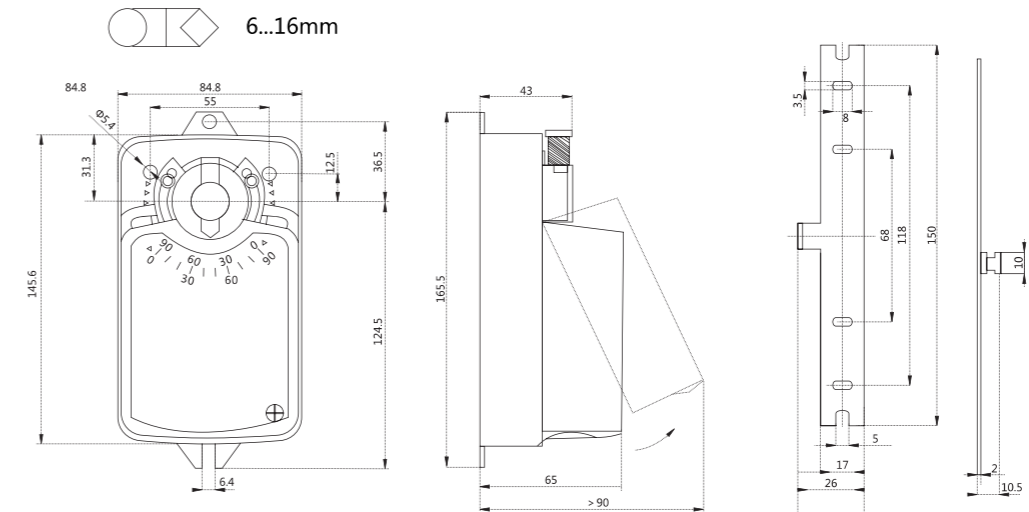
ON/OFF, 2/3-Point

LFT4.M24.D/DS  
LFT6.M24.D/DS  
LFT4.M230.D/DS  
LFT6.M230.D/DS

For operation of air control dampers in HVAC systems.  
Torque: 4Nm/6Nm  
Nominal voltage: AC/DC 24V, AC100...240V  
Control: ON/OFF, 2/3-Point  
-DS type include 2 auxiliary switch.



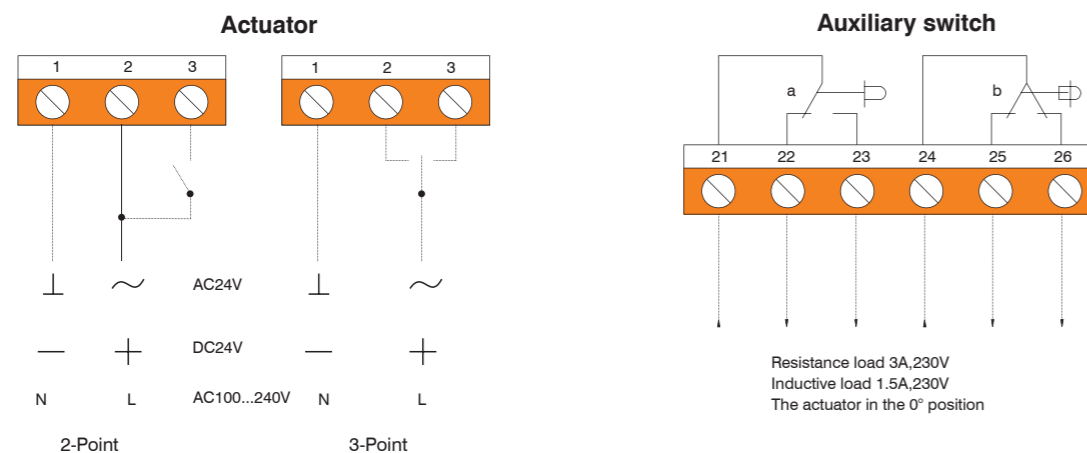
## Actuator Dimensions(mm)



## Model Selection Table

Torque	Running Time	Power Supply	Auxiliary Switch	Model/Type
4Nm	45-55S	24VAC/DC	None	LFT4.M24.D
4Nm	45-55S	24VAC/DC	2-SPDT	LFT4.M24.DS
4Nm	45-55S	100-240VAC	None	LFT4.M230.D
4Nm	45-55S	100-240VAC	2-SPDT	LFT4.M230.DS
6Nm	70-80S	24VAC/DC	None	LFT6.M24.D
6Nm	70-80S	24VAC/DC	2-SPDT	LFT6.M24.DS
6Nm	70-80S	100-240VAC	None	LFT6.M230.D
6Nm	70-80S	100-240VAC	2-SPDT	LFT6.M230.DS

## Wiring Diagram



## Technical specification

		LFT4.M24.D/DS LFT6.M24.D/DS	LFT4.M230.D/DS LFT6.M230.D/DS
Electrical data	Nominal voltage	AC24V 50/60Hz DC24V	AC100...240V 50/60Hz
	Nominal voltage range	AC/DC 19.2...28.8V	AC85...265V
	Power consumption	3W@Nominal torque/0.5W@holding	3W@Nominal torque/0.7W@holding
	Wire sizing	0.5mm <sup>2</sup>	
Function data	Terminal specification	Max 2.0mm <sup>2</sup>	
	Torque	4Nm/6Nm	
	Damper size	0.8m <sup>2</sup> /1.2m <sup>2</sup>	
	Direction of rotation	Manual regulation	
	Manual override	Gearing latch disengaged by pushbutton, self-resetting	
	Angle of rotation	Max 95°	
	Running time	50S(95°)/70S(95°)	
Working conditions	Sound power level	45dB	
	Position indication	Mechanical	
	Protection class	III (safety low voltage)	II (totally insulated)
	Protection level	IP44	
	Ambient temperature	-20...+50°C/IEC 721-3-3	
	Inventory temperature	-30...+80°C/IEC 721-3-2	
Dimensions	Humidity test	95%RH, non condensing(EN60730-1)	
	Dimensions (L×W×H)	See "Dimensions"	
	Shaft length	> 50mm	
	Shaft diameter	6...16mm ○ 8×8...12×12mm □	
Weight	< 0.75kg		