

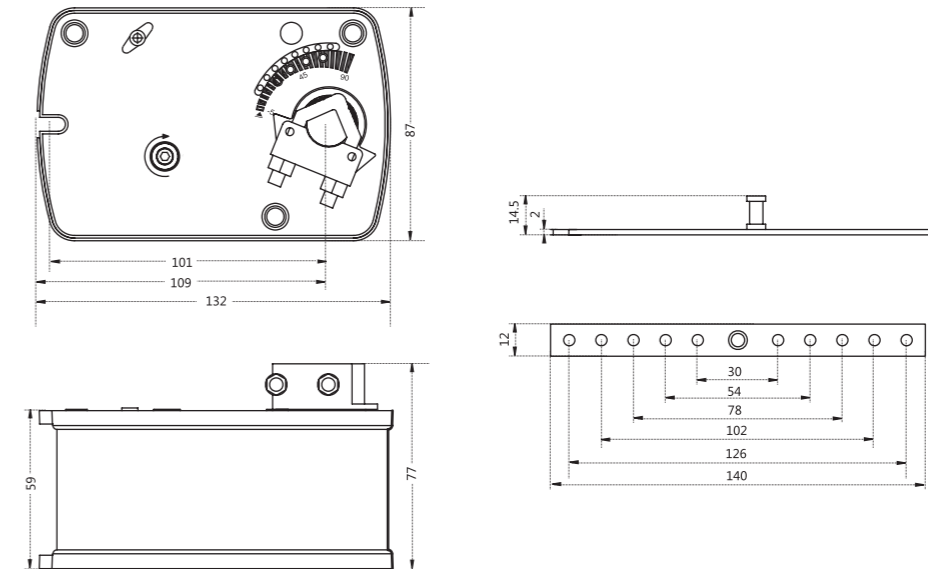
Spring-return Damper Actuator
3Nm
ON/OFF, 2-Point

LFT3.M24.D/DS
LFT3.M230.D/DS

For operation of air control dampers in HVAC system.
Torque: 3Nm
Nominal voltage: AC/DC24V, AC100-240V Control: ON/
OFF, 2-Point
-DS type includes 2 auxiliary switches.



Actuator Dimensions (mm)



Model Selection Table

Torque	Running Time	Power Supply	Auxiliary Switch	Model/Type
3Nm	<75s / <25s	24V AC/DC	None	LFT3.M24.D
3Nm	<75s / <25s	24V AC/DC	2-SPDT	LFT3.M24.DS
3Nm	<75s / <25s	100-240V AC	None	LFT3.M230.D
3Nm	<75s / <25s	100-240V AC	2-SPDT	LFT3.M230.DS

Technical specification

		LFT3.M24.D/DS	LFT3.M230.D/DS
Electrical data	Nominal voltage	AC/DC 24V 50/60Hz	AC100-240V 50/60Hz
	Nominal voltage range	AC/DC 19.2...28.8V	AC85...265V
	Power consumption	5W@Nominal torque/3W@holding	
	Wire sizing	0.5mm ²	
Function data	Torque	3Nm	
	Damper size	0.6m ²	
	Direction of rotation	Selected by mounting L/R	
	Manual override	Yes	
	Angle of rotation	Max 95°, adjustable by mechanical stop	
	Running time	<75s / <25s(Spring reset)	
	Sound power level	45dB	
Working conditions	Position indication	Mechanical	
	Protection class	III (safety low voltage)	II (totally insulated)
	Protection level	IP54	
	Ambient temperature	-20...+50°C/IEC 721-3-3	
Dimensions	Inventory temperature	-30...+80°C/IEC 721-3-2	
	Humidity test	95%RH, non condensing(EN60730-1)	
	Dimensions (LxWxH)	See "Dimensions"	
Weight	Shaft length	> 90mm	
	Shaft diameter	6...16mm ∅ 5x5 □ 12x12mm	
	Weight	< 1.3kg	

Wiring Diagram

