

## General Damper Actuator

8Nm/16Nm/24Nm

ON/OFF, 2/3-Point

LFT8.M24.D/DS  
LFT16.M24.D/DS  
LFT24.M24.D/DS

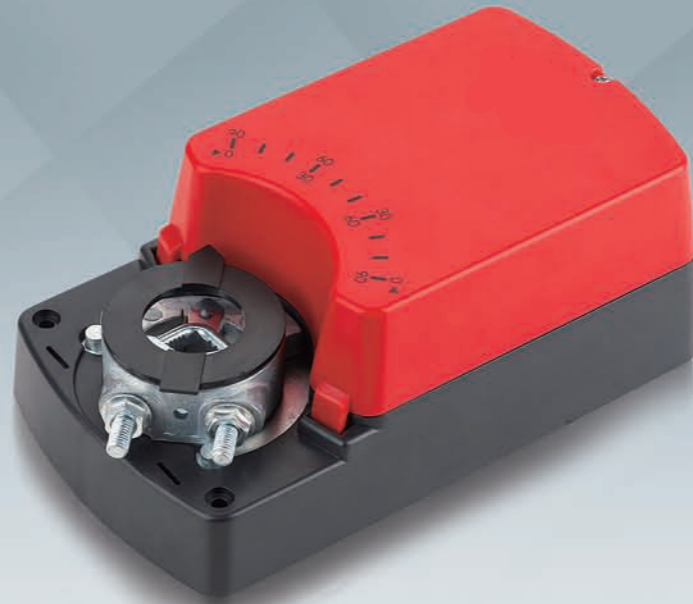
For operation of air control dampers in HVAC systems.

Torque: 8Nm/16Nm/24Nm

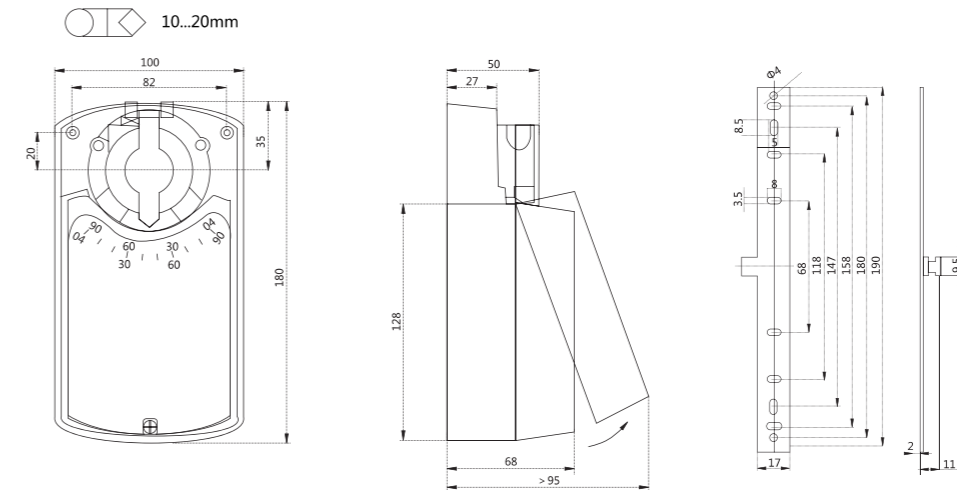
Nominal voltage: AC/DC 24V

Control: ON/OFF, 2/3-Point

-DS type include 2 auxiliary switch.



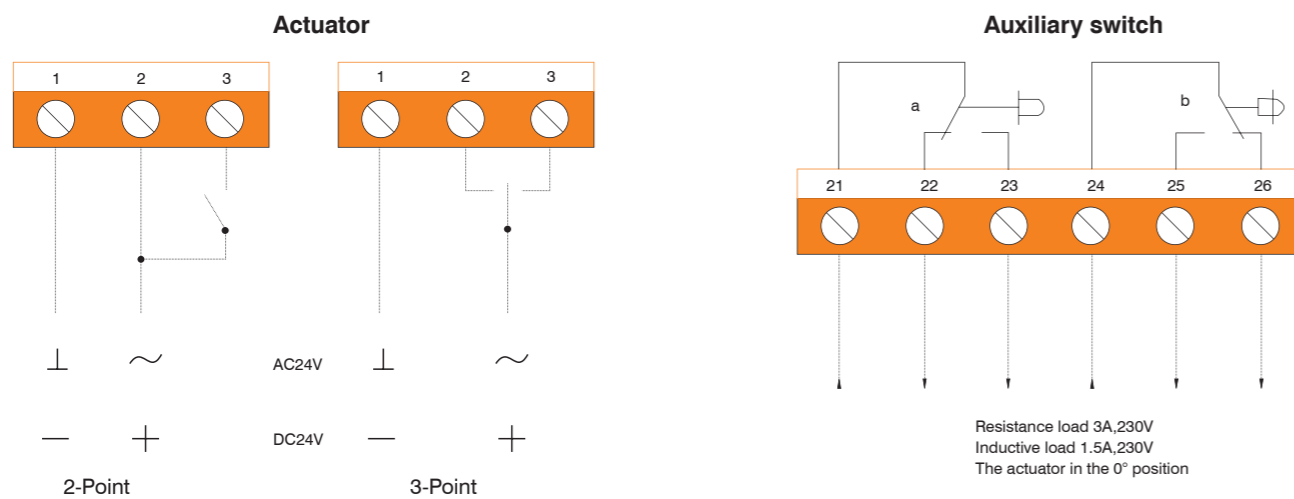
## Actuator Dimensions(mm)



## Model Selection Table

Torque	Running Time	Power Supply	Auxiliary Switch	Model/Type
8Nm	45-55S	24VAC/DC	None	LFT8.M24.D
8Nm	45-55S	24VAC/DC	2-SPDT	LFT8.M24.DS
16Nm	80-100S	24VAC/DC	None	LFT16.M24.D
16Nm	80-100S	24VAC/DC	2-SPDT	LFT16.M24.DS
24Nm	140-160S	24VAC/DC	None	LFT24.M24.D
24Nm	140-160S	24VAC/DC	2-SPDT	LFT24.M24.DS

## Wiring Diagram



## Technical specification

		LFT8.M24.D/DS	LFT16.M24.D/DS	LFT24.M24.D/DS
Electrical data	Nominal voltage	AC24V 50/60Hz DC24V		
	Nominal voltage range	AC/DC 19.2...28.8V		
	Power consumption	4.5W@Nominal torque/0.5W@holding		
	Wire sizing	0.5mm <sup>2</sup>		
Function data	Terminal specification	Max 2.0mm <sup>2</sup>		
	Torque	8Nm	16Nm	24Nm
	Damper size	1.5m <sup>2</sup>	3m <sup>2</sup>	4.5m <sup>2</sup>
	Direction of rotation	Manual regulation		
	Manual override	Gearing latch disengaged by pushbutton, self-resetting		
	Angle of rotation	Max 95°		
	Running time	55S(95°)	100S(95°)	160S(90°)
Sound power level	45dB			
Working conditions	Position indication	Mechanical		
	Protection class	III (safety low voltage)		
	Protection level	IP44		
	Ambient temperature	-20...+50°C/IEC 721-3-3		
	Inventory temperature	-30...+80°C/IEC 721-3-2		
Humidity test	95%RH, non condensing(EN60730-1)			
Dimensions	Dimensions (L×W×H)	See "Dimensions"		
	Shaft length	> 50mm		
Weight	Shaft diameter	10...20mm ○ 10×10 □ 16×16mm		6...16mm ○ 8×8 □ 12×12mm
	Weight	< 1.3kg		