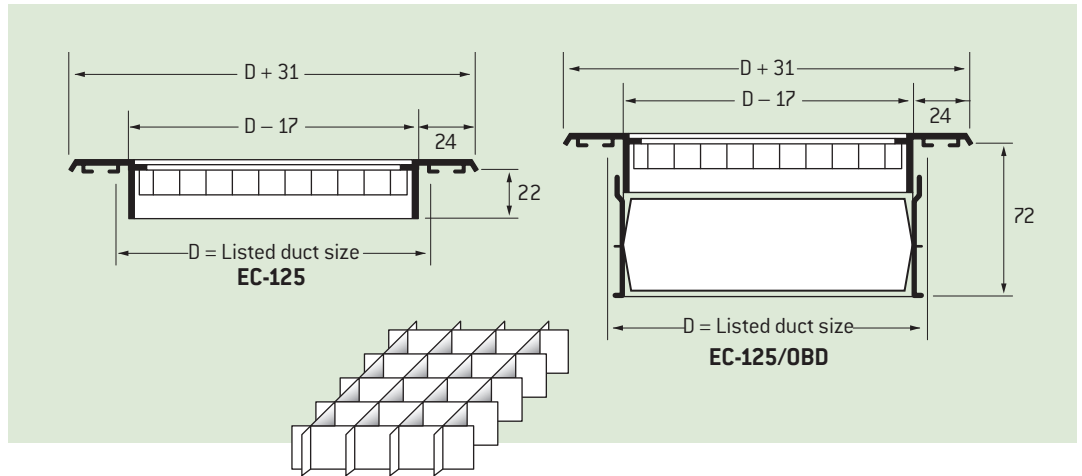


EC & HI – Exhaust & Return Grilles

Model: EC-125

Features 12.5 x 12.5 x 12.5mm aluminium core. Provides maximum free area.

Guide Product Weights		
Approximate Weight in Kg.		
Size	EC125	HI35
200 x 200	0.40	0.50
300 x 300	0.58	0.74
400 x 400	0.80	1.03
500 x 500	1.05	1.35
595 x 595	1.70	2.18

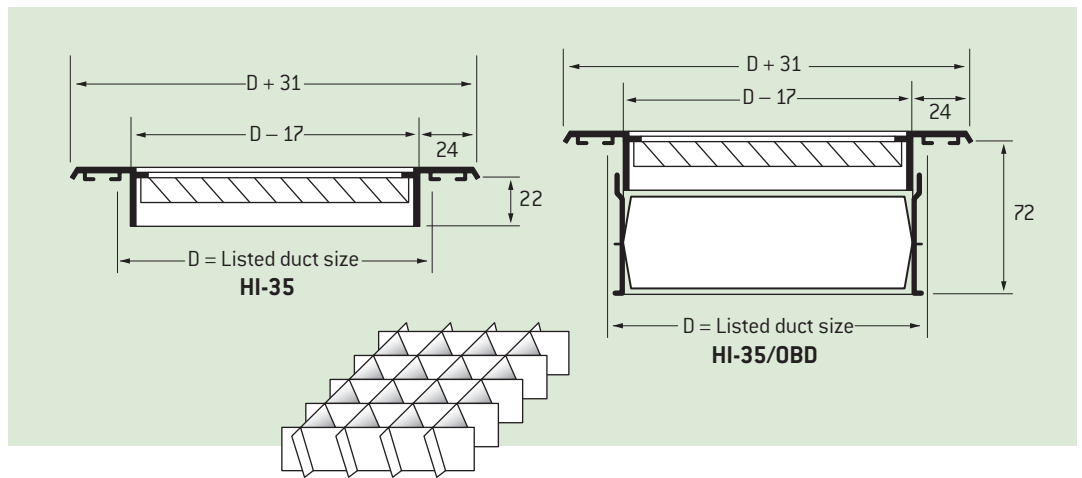


Model: HI-35

Features diagonal blades at 9.5mm centres and 35° pitch, vertical mullion at 12.5mm centres and 0° pitch. Aluminium core.

Options:

1. Removeable core frame (RC), (see page 228E).
2. 14 mm Flanged Surround.
3. 40mm flanged surround.
4. Filter Return (FR), (see page 227E).



Models: EC-125 and HI-35

CORE AREA m ²	NOMINAL SIZE(mm)	CORE VEL. m/s	NC 20								NC 30			
			1.53	2.04	2.55	3.06	3.57	4.08	5.10	6.12	7.14	8.16		
			VEL. PRESS	2	3	4	6	8	10	16	23	31	40	
		NEG. SP	3	5	8	12	16	20	31	45	54	80		
0.014	185 x 100	m ³ /s	0.021	0.028	0.035	0.043	0.050	0.057	0.071	0.085	0.099	0.113		
	145 x 125	NC					11	15	22	27	32	36		
0.017	220 x 100 145 x 150	m ³ /s	0.026	0.033	0.043	0.052	0.059	0.068	0.085	0.102	0.118	0.137		
	175 x 125	NC					12	16	23	28	33	37		
0.020	260 x 100 170 x 150	m ³ /s	0.031	0.043	0.052	0.061	0.073	0.083	0.104	0.125	0.146	0.165		
	205 x 125	NC					13	17	24	29	34	38		
0.024	305 x 100 195 x 150	m ³ /s	0.038	0.050	0.061	0.073	0.085	0.099	0.123	0.146	0.172	0.196		
	240 x 125	NC					14	18	25	30	35	39		
0.028	355 x 100 225 x 150	m ³ /s	0.043	0.057	0.071	0.085	0.099	0.113	0.142	0.170	0.198	0.227		
	275 x 125	NC				10	15	19	26	31	36	40		
0.032	405 x 100 260 x 150	m ³ /s	0.047	0.064	0.080	0.097	0.113	0.127	0.161	0.194	0.224	0.257		
	315 x 125	NC				11	16	20	27	32	37	41		
0.036	450 x 100 290 x 150	m ³ /s	0.054	0.073	0.092	0.111	0.130	0.146	0.184	0.222	0.251	0.295		
	350 x 125 215 x 200	NC				12	17	21	28	33	38	42		
0.043	535 x 100 340 x 150	m ³ /s	0.066	0.087	0.109	0.130	0.151	0.175	0.217	0.260	0.300	0.347		
	415 x 125 250 x 200	NC				13	18	22	29	34	39	43		
0.048	595 x 100 380 x 150	m ³ /s	0.073	0.099	0.123	0.146	0.172	0.196	0.245	0.295	0.345	0.392		
	460 x 125	NC				14	19	23	30	35	40	44		
0.056	695 x 100 440 x 150 260 x 250	m ³ /s	0.085	0.113	0.142	0.170	0.198	0.227	0.283	0.340	0.397	0.453		
	535 x 125 325 x 200	NC				15	20	24	31	36	41	45		
0.064	790 x 100 500 x 150 290 x 250	m ³ /s	0.097	0.130	0.163	0.196	0.229	0.260	0.326	0.392	0.456	0.519		
	610 x 125 370 x 200	NC				15	20	24	31	36	41	45		
0.075	920 x 100 580 x 150 340 x 250	m ³ /s	0.116	0.153	0.191	0.229	0.267	0.307	0.382	0.458	0.533	0.614		
	715 x 125 425 x 200	NC			10	16	21	25	32	37	42	46		
0.084	1025 x 100 650 x 150 380 x 250	m ³ /s	0.127	0.170	0.212	0.255	0.297	0.340	0.425	0.510	0.595	0.680		
	795 x 125 475 x 200	NC			11	17	22	26	33	38	43	47		
0.099	1210 x 100 765 x 150 365 x 300	m ³ /s	0.151	0.203	0.253	0.302	0.354	0.404	0.505	0.604	0.708	0.807		
	930 x 125 440 x 250	NC			12	18	23	27	34	39	44	48		
0.118	845 x 150 490 x 250 345 x 350	m ³ /s	0.168	0.222	0.279	0.335	0.389	0.446	0.557	0.670	0.779	0.892		
	620 x 200 405 x 300	NC			13	19	24	28	35	40	45	49		
0.125	1510 x 100 950 x 150 390 x 350	m ³ /s	0.189	0.253	0.316	0.380	0.447	0.505	0.633	0.760	0.887	1.010		
	1165 x 125 455 x 300	NC			14	20	25	29	36	41	46	50		
0.149	1810 x 100 655 x 250 465 x 350	m ³ /s	0.227	0.302	0.378	0.453	0.529	0.604	0.755	0.906	1.060	1.210		
	830 x 200 545 x 300 405 x 400	NC			15	21	26	30	37	42	47	51		
0.167	1565 x 125 930 x 200 605 x 300 455 x 400	m ³ /s	0.255	0.340	0.425	0.510	0.595	0.680	0.850	1.020	1.190	1.360		
	1275 x 150 735 x 250 520 x 350	NC			15	21	26	30	37	42	47	51		
0.193	1805 x 125 1070 x 200 700 x 300 520 x 400	m ³ /s	0.295	0.392	0.491	0.590	0.689	0.784	0.982	1.180	1.370	1.570		
	1470 x 150 845 x 250 595 x 350 465 x 450	NC		10	16	22	27	31	38	43	48	52		
0.228	1730 x 150 820 x 300 610 x 400	m ³ /s	0.347	0.463	0.576	0.694	0.812	0.925	1.160	1.390	1.620	1.850		
	1260 x 200 700 x 350 540 x 450	NC		11	17	23	28	32	39	44	49	53		
0.258	930 x 300 690 x 400 550 x 500	m ³ /s	0.394	0.524	0.656	0.788	0.920	1.050	1.310	1.580	1.840	2.100		
	790 x 350 610 x 450	NC		12	18	24	29	33	40	45	50	54		
0.289	1600 x 200 1040 x 300 775 x 400 615 x 500	m ³ /s	0.441	0.586	0.734	0.883	1.030	1.180	1.470	1.760	2.050	2.350		
	1255 x 250 885 x 350 685 x 450 560 x 550	NC		13	19	25	30	34	41	46	51	55		
0.335	1845 x 200 1200 x 300 795 x 450	m ³ /s	0.510	0.680	0.850	1.020	1.190	1.360	1.700	2.040	2.380	2.730		
	1455 x 250 890 x 400 590 x 600	NC		13	19	25	30	34	41	46	51	55		
0.399	1215 x 350 845 x 500	m ³ /s	0.609	0.812	1.010	1.210	1.420	1.620	2.030	2.430	2.840	3.240		
	940 x 450 700 x 600	NC		14	20	26	31	35	42	47	52	56		
0.432	1870 x 250 910 x 500	m ³ /s	0.661	0.878	1.100	1.320	1.540	1.760	2.200	2.630	3.070	3.510		
	1145 x 400 755 x 600	NC		15	21	27	32	36	43	48	53	57		
0.518	1850 x 300 1221 x 450	m ³ /s	0.788	1.050	1.320	1.580	1.850	2.110	2.630	3.160	3.690	4.220		
	1575 x 350 905 x 600	NC		16	22	28	33	37	44	49	54	58		
0.581	1760 x 350 1220 x 500	m ³ /s	0.887	1.180	1.470	1.770	2.070	2.360	2.950	3.540	4.130	4.720		
	1535 x 400	NC		10	17	23	29	34	38	45	50	55		

NC 40

NC 50

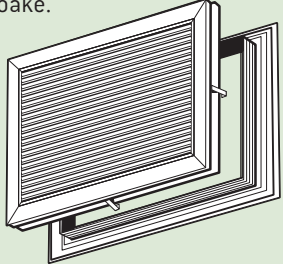
Return & Exhaust Grilles

- Neg. SP is negative static pressure.
- All pressures are in pascals.
- NC values are based on room absorption of 10 db, re 10⁻¹² watts.
- Heavy dividing lines denote ranges of NC values.

Grille Description Code Examples and Suggested Specifications

DG	–	[52 17 *1700]	–	[BFL BFS AL AS BL BS]	–	W x H	–	FINISH
Door Grille.		Model (Including Blade Configuration).		Frame Style.		Width x Height 'Nominal Opening Dimensions'.		Satin Anodised (DG52 Only). Holyoake White. Mill Aluminium. Powder Coat.

*Model 1700 is a double thickness Model 17, suitable for light proof applications. It is available with a Matt Black Finish.



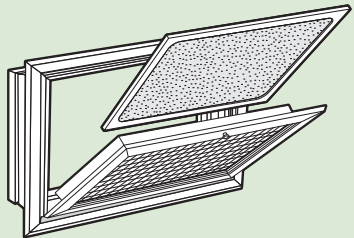
Door grilles shall be of rattle-free, all aluminium construction, with sight proof blades of Chevron design, assembled in either a flanged, or channel type frame, presenting a similar appearance from both sides. Purpose made back flanges shall be available for flanged units, standard models shall be available to suit any door thickness from 28mm to 52mm. All shall be as manufactured by Holyoake.

[RLL – RLS]	–	[23 25]	–	[RC FR]	–	OBD	–	W x H	–	FINISH
Return Louver, Long Blades.		Blade Spacing/Shape Code (23 = 20mm, 25 = 12.5mm/Set at 30°).		Frame Style (Removeable Core, or Filter Return).		Opposed Blade Damper.		Width x Height 'Nominal Size' (Duct, or Trimmed Hole).		Holyoake White. Mill Aluminium. Powder Coat.
Return Louver, Short Blades.										

Return and/or exhaust louvers shall be of extruded aluminium, rattle-free construction, of the model shown on the drawings, or elsewhere in this specification. Blades shall be mechanically locked to mullions and frames. Frames shall have close mitred corners, reinforced and secured with aluminium gussets. Filter returns, where specified, shall be of similar construction, mounted in a hinged subframe and held closed with a positive latch. Filters are 'EU2' washable type. All shall be as manufactured by Holyoake.

[RLHL – RLHS]	–	[RC FR]	–	OBD	–	W x H	–	FINISH
Return Louver, Long Blades (20mm spacing, set at 45°).		Frame Style (Removeable Core, or Filter Return).		Opposed Blade Damper.		Width x Height 'Nominal Size' (Duct, or Trimmed Hole).		Holyoake White. Mill Aluminium. Powder Coat.
Return Louver, Short Blades (20mm spacing, set at 45°).								

**Suitable for Passive Ventilation (Do not exceed core velocity of 2.5m/sec).



[RLP EC-125 HI-35]	–	[RC FR]	–	OBD	–	W x H	–	FINISH
Return Louver Model (Perforated, Egg-Crate, or Obscured Egg-Crate).		Frame Style (Removeable Core, or Filter Return).		Opposed Blade Damper.		Width x Height 'Nominal Size' (Duct, or Trimmed Hole).		Holyoake White. Mill Aluminium. Powder Coat.

Note When ceiling mounted, seismic restraints may be required, but are not supplied.