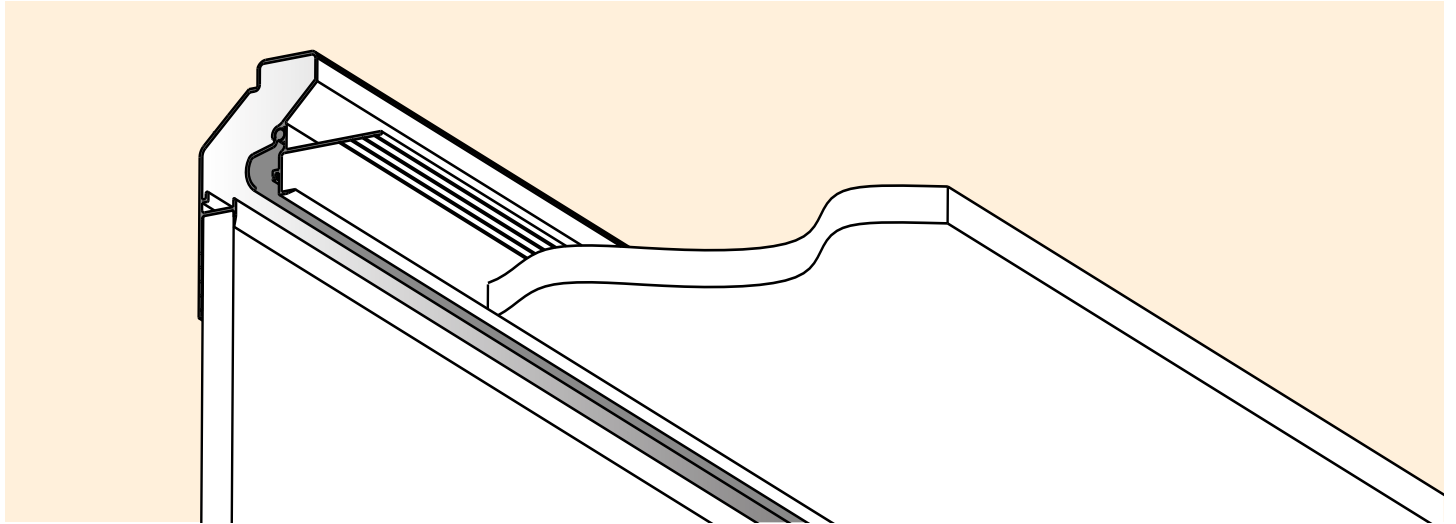


PSD – Perimeter Slot Diffuser

Model: PSD



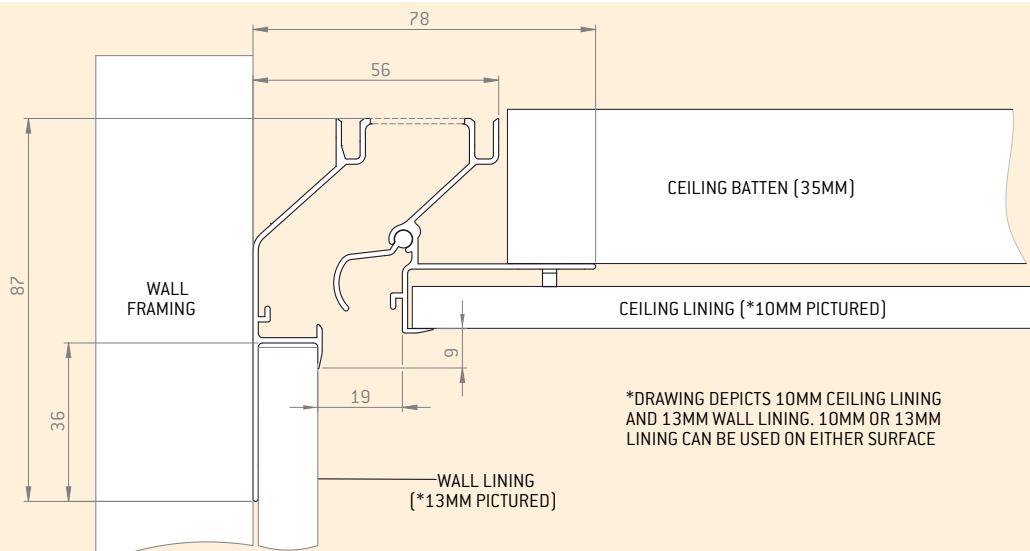
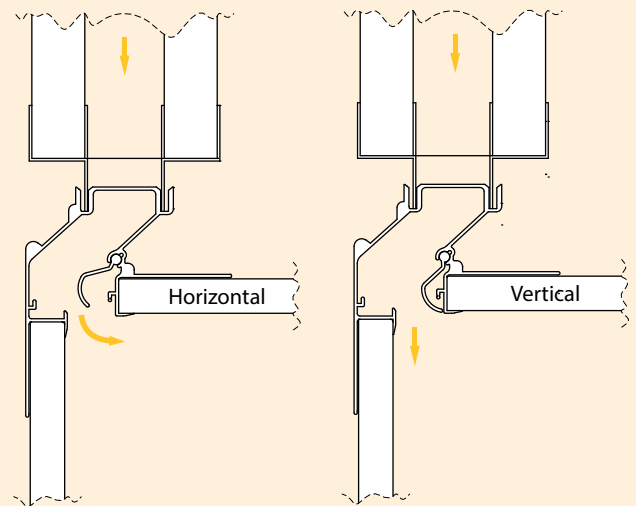
Perimeter Slot Diffuser

A unique new product from Holyoake is the Perimeter Slot Diffuser (PSD). The PSD creates a stunning negative detail around the perimeter of the room while providing unobtrusive draughtless air distribution over a wide range of airflows.

Features

- A unique new architectural product.
- White, black, and LED options available.
- Standard universal pattern control is aluminium and can be adjusted to give full 90° control of air pattern.
- For use with diffuser adaptor PSDA/I, plenum supply, or linear duct.
- Specially designed clip on supply adaptor with foam seal requires no fixings.
- Straightforward installation with no plastering required.
- Accepts 10 or 13mm plasterboard via punch down tabs.
- Snap out tabs on rear of diffuser for active airflow section.
- Up to 5.8 metres single piece length, but can be joined to adjacent lengths to provide seamless look.
- Mitred corners available to create continuous negative detail around room perimeter.
- Optional LED ribbon light strip (can be retrofitted).

Typical PSD Throw Options



Due to a policy of continuous development and improvement the right is reserved to supply products which may differ slightly from those illustrated and described in this publication.

Model: **PSD with PSDA Supply Adapters**

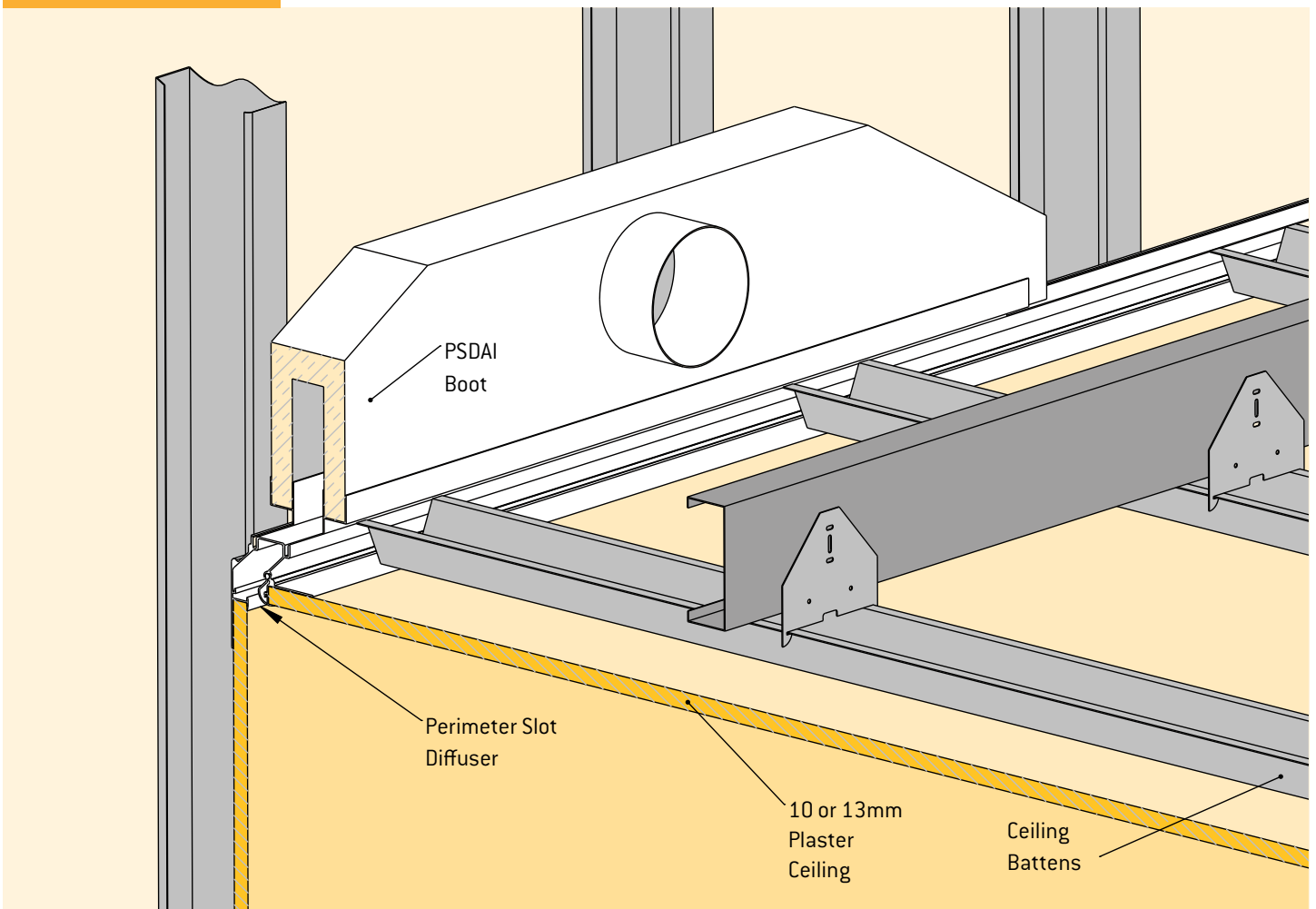
Adaptor Supply

| Capacity m ³ /s | | | 0.047 | 0.057 | 0.066 | 0.076 | 0.085 | 0.094 | 0.104 | 0.113 | 0.123 |
|----------------------------|----------|---|---------|---------|---------|---------|---------|---------|---------|---------|---------|
| Projection, m | H | | 1.2-3.4 | 1.5-3.7 | 1.8-4.0 | 2.1-4.3 | 2.4-4.6 | 2.7-4.9 | 3.1-5.2 | 3.1-5.2 | 3.1-5.6 |
| | V | | 0.6-1.8 | 0.9-2.1 | 0.9-2.1 | 0.9-2.4 | 1.2-2.4 | 1.2-2.7 | 1.5-2.7 | 1.5-2.7 | 1.8-3.1 |
| Nom. Length | Spread m | H | 1.8-4.9 | 2.1-5.6 | 2.7-5.8 | 3.1-6.4 | 3.7-6.7 | 4.0-7.3 | 4.6-7.6 | 4.6-7.6 | 4.6-8.2 |
| | | V | 0.9-2.4 | 1.2-2.7 | 1.2-2.7 | 1.2-3.1 | 1.5-3.1 | 1.5-3.7 | 1.8-3.7 | 1.8-3.7 | 2.4-4.0 |
| 0.9m | TP | | 42 | 60 | 80 | 105 | 134 | 162 | | | |
| | NC | | 28 | 34 | 39 | 42 | 46 | 49 | | | |
| 1.2m | TP | | 21 | 31 | 42 | 55 | 68 | 83 | 103 | 122 | |
| | NC | | 19 | 25 | 30 | 33 | 37 | 40 | 43 | 46 | |
| 1.5m | TP | | 13 | 19 | 25 | 33 | 41 | 51 | 61 | 72 | 88 |
| | NC | | - | 17 | 22 | 25 | 29 | 32 | 35 | 38 | 40 |

Plenum Supply

| Total Press. | H | 1 | 4 | 10 | 16 | 25 | 35 | 49 | 63 |
|---------------------|---|---------|---------|---------|---------|---------|---------|---------|---------|
| | V | | 1 | 3 | 6 | 10 | 15 | 21 | 29 |
| m ³ /s/m | | 0.012 | 0.025 | 0.037 | 0.050 | 0.062 | 0.074 | 0.087 | 0.099 |
| Throw, m | H | 0.3-0.9 | 0.6-3.4 | 0.9-4.0 | 1.8-4.6 | 2.7-5.2 | 3.4-5.8 | 3.7-6.1 | 3.7-6.7 |
| | V | 0.6 | 2.4 | 3.7 | 4.3 | 4.6 | 5.2 | 5.6 | 5.8 |
| NC | | - | - | - | 22 | 29 | 34 | 39 | 43 |

Installation



For full installation instructions see the Holyoake PSD suggested installation guide.