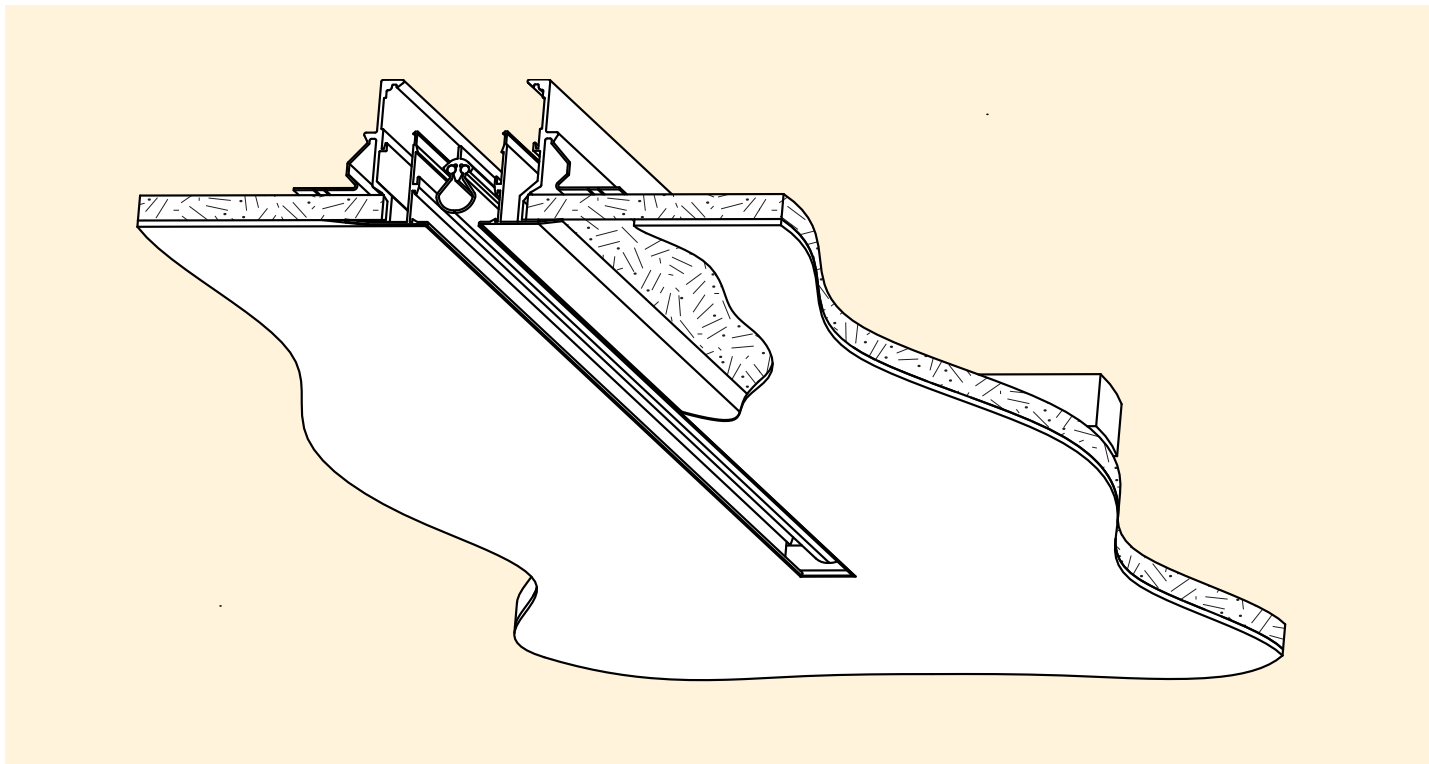


# CSDP – Plaster in Ceiling Slot Diffusers

Model: **CSDP**



## Single or Multi-slot Plaster in Ceiling Diffuser

CSDP-13 (13mm SLOTS)

CSDP-19 (19mm SLOTS)

CSDP-25 (25mm SLOTS)

Extruded aluminium continuous or discrete length linear slot diffusers to suit modern interiors, while providing unobtrusive draughtless air distribution over widely ranging airflows. The CSDP is plastered directly into the ceiling to provide a fully seamless finish.

The CSDP provides identical performance to the existing flanged CSD range and includes a serrated wing to assist with plastering into the ceiling.

### Features

- Blends seamlessly into the ceiling.
- No visible flange.
- Available in one to eight slots with three slot widths.
- Standard universal pattern control is aluminium, black anodised for best visual effect and can be adjusted to give full 180° control of air pattern, with volume control to shut off.
- Alternative factory set black or white polymer snap-in pattern control provides, at reduced cost, left or right ceiling effect only.
- Utilises the CSD-MF mounting frame available for ease of installation and high standard finish.
- For use with diffuser adapter CSDA/I, plenum supply, or linear duct.
- Alignment strips and four end treatments to suit discrete or continuous lengths.
- Up to 2.9 metres single piece length.

For standard universal pattern control/damper, specify CSDP.

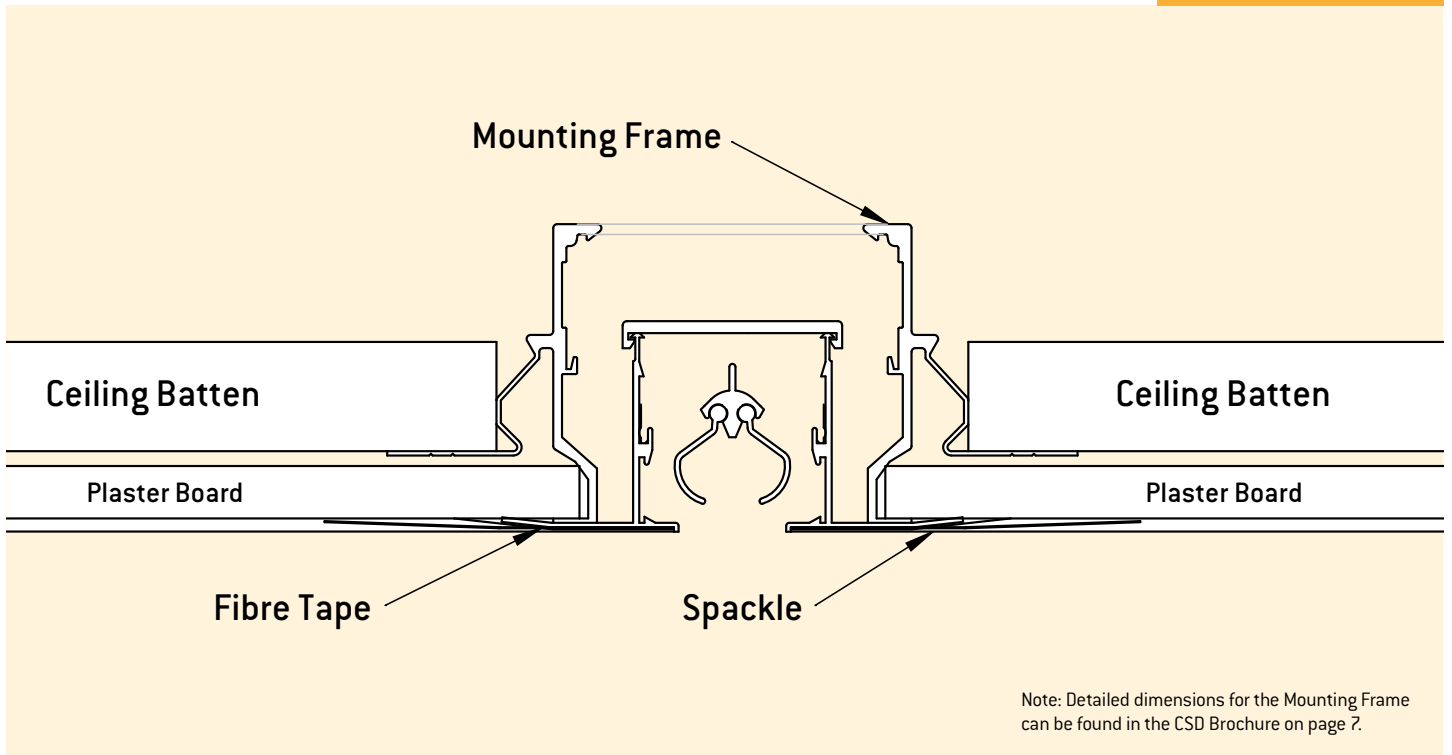
For factory set black or white polymer pattern control, specify CSDPL.

For return air application, specify CSDPR.

Performance for CSDP fitted with either type of pattern control may be read from the supply performance data in the CSD Brochure.



Due to a policy of continuous development and improvement the right is reserved to supply products which may differ slightly from those illustrated and described in this publication.



### Suggested Installation Instructions

CSDP is a specialist product and should be installed by suitably qualified persons to ensure an adequate finish.

1. Ceiling joists and battens need to be cut to accept the CSD mounting frame. Mounting frame should be screwed through witness lines into ceiling battens / joists.
2. The plasterboard should be cut and installed into the mounting frame, whilst ensuring not to fix the plasterboard to the ceiling closer than 300mm from the mounting frame to avoid cracking.
3. CSDP extrusion clipped into mounting frame after the ceiling has been finished.
4. Plastering process
  - a. Apply a small coat of spackle like product directly onto the CSDP serrated wing and ceiling plasterboard.
  - b. While the product is still wet apply the 100mm wide mesh tape over the spackle, ensuring it is positioned over the diffuser and ceiling plasterboard.
  - c. Continue to apply the spackle like product until a 3-4mm layer is achieved, this should be level for 200mm from the diffuser before tapering off to an acceptable finish.
5. Apply primer and top coats to the plaster, these must be latex or similar flexible type paints, standard ceiling paints are not typically suitable and can pose a risk of cracking.

<b>CSD-P</b>	-	<b>13</b> <b>19</b> <b>25</b>	-	<b>2 SLOT</b>	-	<b>FRAME '2'</b>	-	<b>END 'F'</b>	-	<b>X 2800</b>	-	<b>FINISH</b>	-	<b>OPTIONS</b>
Ceiling Slot Diffuser.		Slot Width.		No. of Slots.		Frame Style.		End Border Type.		'L' Duct Length in mm.		Holyoake White. Mill Aluminium. Powder Coat.		Mounting Frame. Galv Plenum. <b>Premi-aire™ adapter fed supply box.</b> <b>CSD-T – Thermal.</b>

Series CSDP Ceiling Slot Diffusers - Plaster shall be of extruded aluminium construction, complete with integral combination air pattern control and volume control damper. The number of slots shall be as shown on the drawings and the slot components shall be mechanically locked together to form a rigid assembly. Pattern controls shall be readily adjustable through the slots and shall be finished matt black. CSDP slot diffusers shall be provided with matching adapters or plenums and suitable mounting frame where shown. All shall be as manufactured by Holyoake.