

# CMPP – Plaque Ceiling Diffuser

## Model: CMPP Plaque Diffuser

The CMPP Plaque Diffuser offers an alternative appearance to the CMP series of diffuser, where the performance characteristics of a traditional louvered face diffuser are required. The CMPP is a variation on the CMP diffuser where the inner louvers are replaced with a plaque, leaving only the outer slot available for air supply.

### Features

- Clean Modern Architectural design.
- 4- way air distribution pattern.
- Removable core.
- Extended throw projection.
- Low noise generation.
- Durable powder coat finish.
- Lightweight Premi-Aire and galvanised cushion head boxes available.

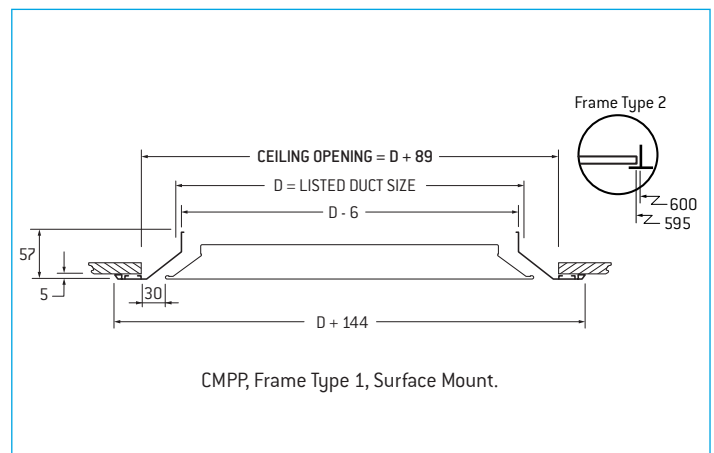
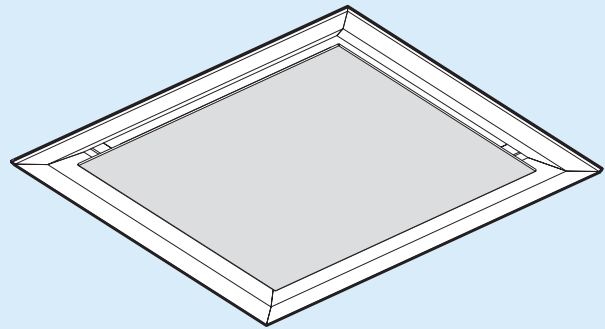
### Performance

The CMPP has a throw pattern similar to a CMPH diffuser and as such is suitable for variable volume applications. Due to the inner louvers having been replaced with a blanking plaque, the amount of air that the CMPP can handle is small compared to other similar sized diffusers. The CMPP would most often be specified due to its visual appearance.

### Construction

CMPP Plaque diffusers are constructed of aluminium. Precision combination corner gussets and braces keep mitres to a hairline. Aluminium rivets hold the fascia rigidly to an aluminium frame, to form a sturdy plaque core. The core snaps into the surround with nickel plated spring steel thumb clips. The CMPP is supplied with a robust powdercoat finish.

## Plaque Ceiling Diffuser



### Series CMPP – Performance Data

LISTED DUCT SIZE	Total Pressure (Pa)	6	11	18	25	35	45	57
150 x 150 (295 overall)	m <sup>3</sup> /s	0.025	0.037	0.046	0.055	0.065	0.072	0.081
	Throw	0.1-1.9	0.4-2.5	0.9-3.3	1.3-4.1	1.6-4.5	1.9-5.0	2.3-5.1
	NC	<15	<15	<15	<15	15	18	21
225 x 225 (370 overall)	m <sup>3</sup> /s	0.041	0.059	0.072	0.086	0.104	0.119	0.142
	Throw	0.3-2.3	0.9-3.2	1.5-4.1	2.1-4.9	2.6-5.5	3.3-6.1	4.4-7.0
	NC	<15	<15	<15	<15	15	18	21
300 x 300 (445 overall)	m <sup>3</sup> /s	0.056	0.080	0.102	0.121	0.142	0.160	0.185
	Throw	1.0-3.4	1.7-4.9	2.3-5.5	2.9-5.6	3.4-6.4	3.8-7.1	4.4-8.0
	NC	<15	<15	<15	<15	16	19	22
375 x 375 (520 overall)	m <sup>3</sup> /s	0.074	0.102	0.134	0.165	0.193	0.204	0.234
	Throw	1.7-3.9	2.0-4.9	2.7-5.8	3.2-6.0	3.7-6.6	3.9-6.8	4.4-7.5
	NC	<15	<15	<15	18	22	23	27
450 x 450 (595 overall)	m <sup>3</sup> /s	0.092	0.122	0.155	0.186	0.218	0.244	0.274
	Throw	1.5-4.5	2.3-5.0	3.1-6.1	3.6-6.5	4.0-6.8	4.3-7.0	4.7-7.3
	NC	<15	<15	<15	16	21	24	26

## Performance Note

Throw values are given for terminal velocities of 0.75 and 0.25 m/s respectively.

### Guide Product Weights

Description	Approximate Weight in Kg.
CMPP 450 x 450	2.95

# CMP-A, CMP-ADJ & CMPH

## Product Ordering Key and Suggested Specifications

<b>CMP</b>	<b>-</b>	<b>A</b>	<b>-</b>	<b>1</b>	<b>-</b>	<b>41</b>	<b>-</b>	<b>450x450</b>	<b>-</b>	<b>600x600</b>	<b>-</b>	<b>OBD</b>	<b>-</b>	<b>TRV</b>	<b>-</b>	<b>SRA 300 DIA CH 300 DIA</b>	<b>-</b>	<b>FINISH</b>	
⋮		⋮		⋮		⋮		⋮		⋮		⋮		⋮		⋮		⋮	
Ceiling Multi Pattern		Aluminium		Frame Style		Core Pattern		Duct Size		Module Size		Opposed Blade Damper Attached		Throw Reducing Vanes		Square to Round Adaptor, or Cushion Head		Holyoake White Mill Aluminium Powder Coat	

Ceiling Multi Pattern Louver Face diffusers shall be type CMP-A and be all Aluminium construction with removable core, to give the air distribution pattern shown on the drawings. They shall be available with a range of frame styles and purpose made accessories for both throw adjustment and volume control.

All shall be as manufactured by Holyoake.

<b>CMP-ADJ</b>	<b>-</b>	<b>2</b>	<b>-</b>	<b>41</b>	<b>-</b>	<b>225x225</b>	<b>-</b>	<b>600x600</b>	<b>-</b>	<b>OBD</b>	<b>-</b>	<b>TRV</b>	<b>-</b>	<b>SRA 150 DIA CH 150 DIA</b>	<b>-</b>	<b>FINISH</b>	
⋮		⋮		⋮		⋮		⋮		⋮		⋮		⋮		⋮	
Ceiling Multi Pattern - Adjustable		Frame Style		Core Pattern		Duct Size		Module Size		Opposed Blade Damper Attached		Throw Reducing Vanes		Square to Round Adaptor, or Cushion Head		Holyoake White Mill Aluminium Powder Coat	

Ceiling Multi Pattern - Adjustable Louver Face diffusers shall be type CMP-ADJ. They shall be of all Aluminium construction, with removable cores. CMP-ADJ are fitted with vanes which can easily be adjusted to enable vertical, or horizontal throw.

All shall be as manufactured by Holyoake.

<b>CMPH</b>	<b>-</b>	<b>2</b>	<b>-</b>	<b>41</b>	<b>-</b>	<b>300x300</b>	<b>-</b>	<b>600x600</b>	<b>-</b>	<b>OBD</b>	<b>-</b>	<b>TRV</b>	<b>-</b>	<b>SRA 150 DIA CH 150 DIA</b>	<b>-</b>	<b>FINISH</b>	
⋮		⋮		⋮		⋮		⋮		⋮		⋮		⋮		⋮	
Ceiling Multi Pattern Horizontal		Frame Style		Core Pattern		Duct Size		Module Size		Opposed Blade Damper Attached		Throw Reducing Vanes		Square to Round Adaptor, or Cushion Head		Holyoake White Mill Aluminium Powder Coat	

Ceiling Multi Pattern Horizontal Louver Face diffusers shall be type CMPH and be all Aluminium construction with additional horizontal blades. Complete with removable core to give multiple air distribution patterns. They shall be available with a range of frame styles and accessories for both throw adjustment and volume control.

All shall be as manufactured by Holyoake.

**Note: All ceiling diffusers, seismic restraints required, but not supplied.**

# CMPP & CMP - TL

## Product Ordering Key and Suggested Specifications

<b>CMPP</b>	–	<b>1</b>	–	<b>300x300</b>	–	<b>450 x 450</b>	–	<b>OBD</b>	–	<b>SRA 300 DIA CH 300 DIA</b>	–	<b>FINISH</b>
⋮		⋮		⋮		⋮		⋮		⋮		⋮
Ceiling Multi Pattern Plaque		Frame Style		Duct Size		Module Size		Opposed Blade Damper Attached		Square to Round Adaptor, or Cushion Head		Holyoake White Mill Aluminium Powder Coat

Ceiling Multi Pattern - Plaque Louver Face diffusers shall be type CMPP. They shall be of all Aluminium construction, with removeable plaque core. CMPP have a range of frame styles and accessories for installation and volume control.

All shall be as manufactured by Holyoake.

<b>CMP-TL</b>	–	<b>1</b>	–	<b>450x450</b>	–	<b>SRA 300 DIA CH 300 DIA</b>	–	<b>FINISH</b>
⋮		⋮		⋮		⋮		⋮
Ceiling Multi Pattern - Thermal Low Cost		Frame Style		Neck Size		Square to Round Adaptor, or Cushion Head		Holyoake White Mill Aluminium Powder Coat

Ceiling Multi Pattern - Thermal Low Cost Louver Face diffusers shall be type CMP-TL. They shall be of Aluminium construction, with removeable cores. CMP-TL central cores, are complete with a vertical supply section controlled by a thermally actuated damper. Supply air is diffused horizontally below temperatures of 24°C and vertically with temperatures above 30°C.

All shall be as manufactured by Holyoake.

**Note: All ceiling diffusers, seismic restraints required, but not supplied.**