

Fineline Diffusers

SERIES LD linear bar grilles are designed for supply and return air distribution in heating, cooling and ventilating applications which call for diffusers having long or continuous slender appearance, fixed air discharge angles of zero or 15 degrees, and installed in walls, floors, sills or ceilings.

CONSTRUCTION is of extruded aluminium face, bars and frame of alloy 6063-T5, notched mullions, mechanically compressed together to form a powerfully bonded core, which is welded at mullion ends to the frame. 'F' models for floor use, have double mullions and 30 x 30 x 15 x 3 Solid 'Z' frames.

Model	Bar		
	Width mm	Spacing mm	Deflection
LD-600	3.25	6.35	0°
LD-615	3.25	6.35	15°
LD-1200	3.25	12.5	0°
LD-1215	3.25	12.5	15°
LDH-1200	5.6	12.5	0°
LDHF-1200+	5.6	12.5	0°
LDH-1215	5.6	12.5	15°
LDHF-1215+	5.6	12.5	15°
LDH-2500*	5.6	25	0°
LDH-2515*	5.6	25	15°

* Return/Exhaust Diffuser + Suitable for floor applications

WIDTH maximum for 'F' models is:

Continuous traffic: 200mm, Occasional traffic: 300mm. All models can be furnished with mitred 90° corners, or other angles where templates are furnished to the factory. Refer illustrations on this sheet for corner descriptions. The minimum length is 200mm. The maximum length for a single section is 2.8m.

Accessory Damper

Available with opposed blade dampers, screwdriver operated through the face. Specify OBD#1.

Notes

General Notes to be read in conjunction with performance tables on the following pages.

This data is reliable information for cooling, ventilating and heating applications.

1. All pressures are Pa (N/m²).

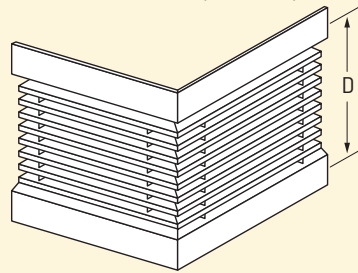
2. Minimum throw values refer to a terminal velocity of 0.75 m/s and maximum to 0.25 m/s, for a 1200mm active section with a cooling temperature differential of 12°C.

The multiplier factors listed in the table below are applicable for other lengths.

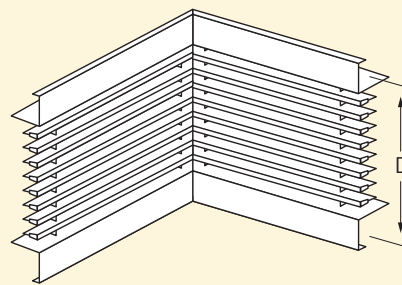
Active Length	Terminal Velocity	
	0.75 m/s	0.25 m/s
300mm	0.5	0.7
3000mm Or Continuous	1.6	1.2

Mitred Corners

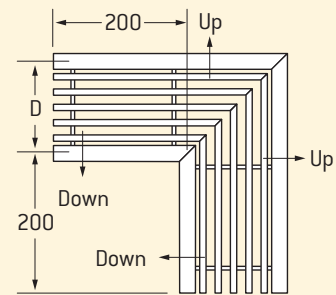
Outside corner (Side wall)



Inside corner (Side wall)



Floor, Ceiling or Sill



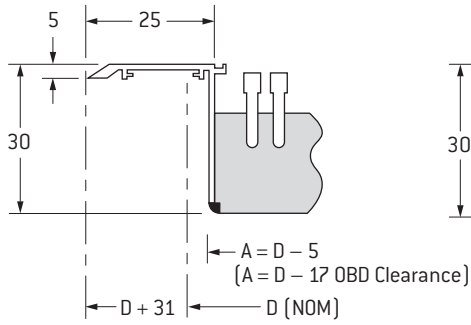
Note: When specifying corners ensure to nominate the blade orientation (up or down) if using the 15° blade.

3. The NC values are based on a room absorption of 10dB, re 10⁻¹² watts and a 3000mm active section.

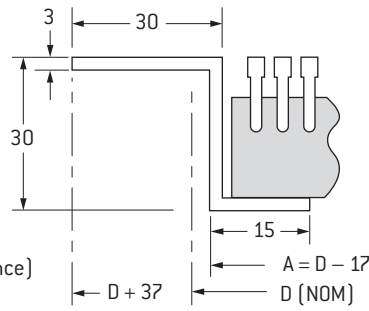
Use the following multipliers for other active lengths.

NC CORRECTION FOR LENGTH											
Active Length, mm	300	600	1000	1200	1800	2400	3000	4500	6000	7500	9000
	-10	-7	-5	-4	-2	-1	0	+2	+3	+4	+5

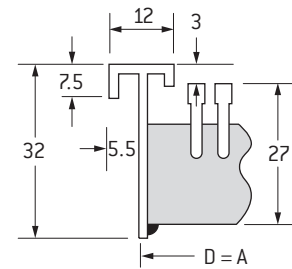
4. Return Intake - When used as a return intake the NC value given will be increased by 4 and the negative static pressure will be 0.8 times the total pressure shown.



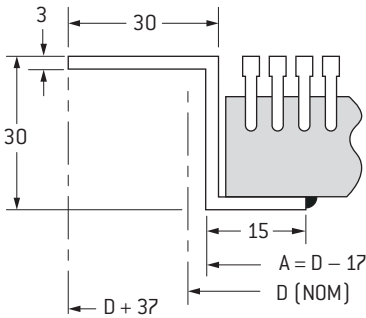
Style No.1 (Fixed Core)*
(Suitable for use with RC frame-- see page 216E)



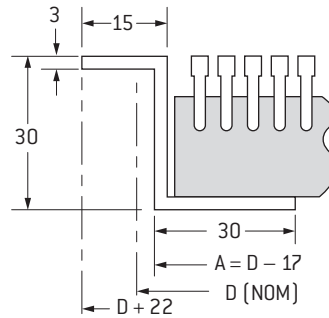
Style No.2 (Removable Core)
Square Edge



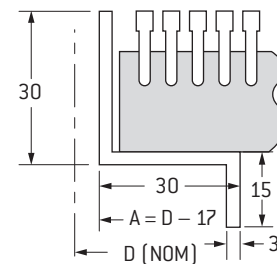
Style No.3 (Fixed Core)*
(For Cabinet or Duct Edge Mounting)



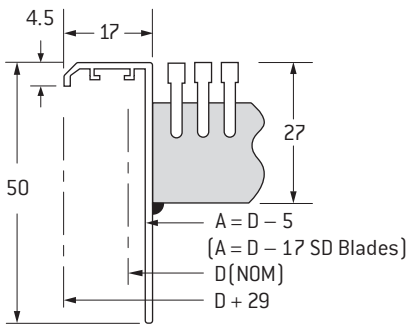
Style No.4 (Fixed Core)
Square Edge



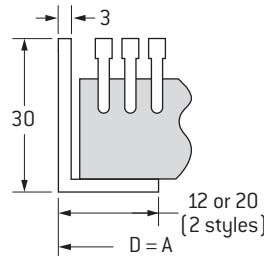
Style No.4A (Fixed or Removable Core)
Square Edge



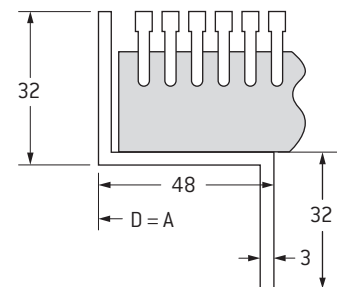
Style No.4B (Fixed or Removable Core)
(Flangeless Frame)
Square Edge



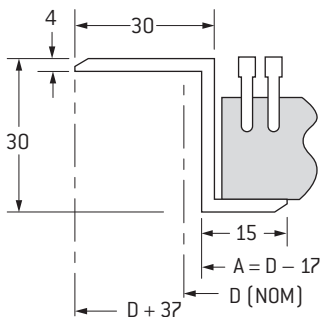
Style No.5 (Fixed Core)*
(Rear SD Blades not Shown)



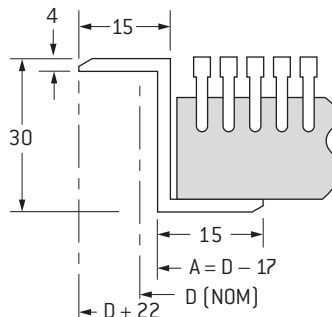
Style No.6 (Fixed or Removable Core)
(Flangeless Frame)



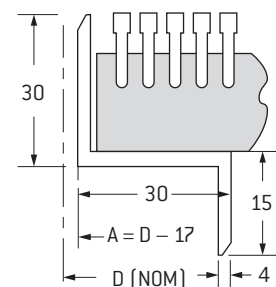
Style LDH-CF (Fixed or Removable Core)
(Flangeless Frame)
(Computer Floor)



Style No.7 (Fixed or Removable Core)
(Bevelled Edge Flange)



Style No.7A (Fixed or Removable Core)
(Bevelled Edge Flange)



Style No.7B (Fixed or Removable Core)
(Bevelled Edge Flange)

See page 62B for PMF Style Frame, for Plaster Mounting of Flangeless Grilles.

* Ceiling / Wall application

Dimensional Notes

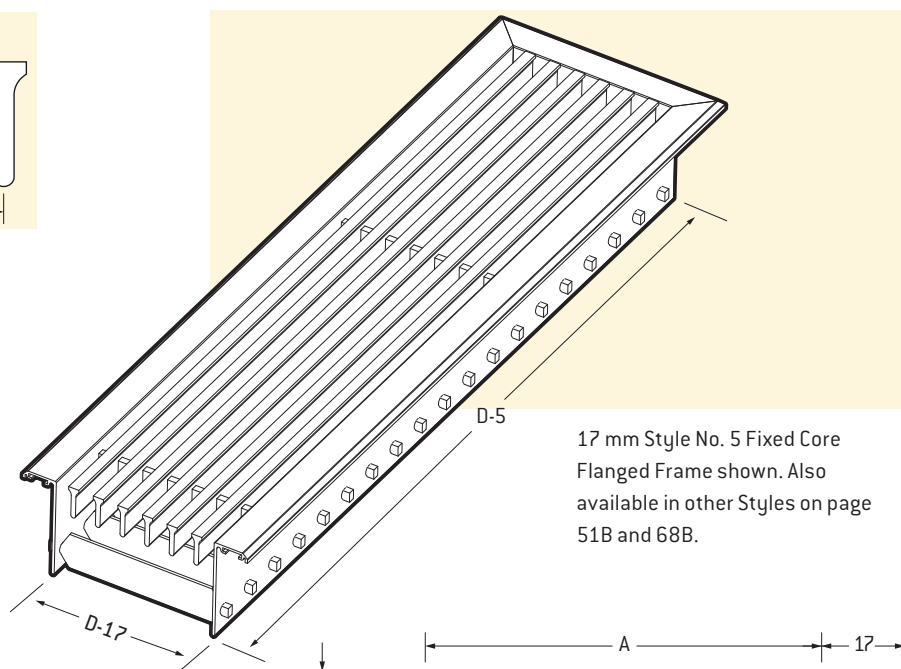
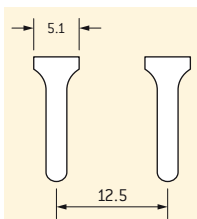
1. Where single piece units are required, maximum length is 2.8 metres. Unless otherwise specified these are furnished with mitred corners.
2. Where continuous lengths greater than 2.8 metres are required, modules will be selected as two end sections (one mitred corner end per section) and the required number of equal length intermediate sections with alignment strips.

3. Actual length 'A' is 'D'-17, unless shown to the contrary.

4. Other styles may be available, contact your local Holyoke branch.

Model: LDH-1200SD

- 0° deflection - front blades
- 0° - 45° deflection - rear blades
- 12.5mm spacing
- 5.1mm louver



17 mm Style No. 5 Fixed Core Flanged Frame shown. Also available in other Styles on page 51B and 68B.

Dimensions

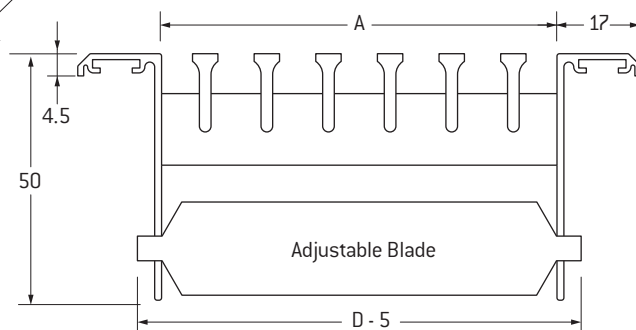
D	A	Number of Bars
Listed Size	Opening	
50	30	2
75	55	4
100	80	6
125	105	8
150	130	10
200	180	14
250	230	18
300	280	22
350	330	26

The same basic design as Model LD-1200SD Linear Bar Grille except that the standard fixed bar type louvers are heavier 5.1mm x 16mm as compared to 3.2mm x 16mm.

The LDSD is available in any desired length and can also be supplied with alternative frame types including the PMF system.

When used with the PMF System, see notes on page 68B.

Not suitable for floor applications.



Size	Total Pressure Pa	0°	3	6	10	16	23	31	40	51	63
		22.5°	5	8	14	21	30	36	59	75	99
		45°	5	9	15	23	33	45	72	91	117
50 mm	Flow m ³ /s/m	0.028	0.042	0.056	0.070	0.084	0.098	0.111	0.126	0.140	
	NC	-	-	-	18	23	28	32	35	38	
	Throw, m	0.9-2.1	1.5-3.7	2.1-4.9	2.7-6.1	3.0-7.0	3.9-7.9	4.3-8.5	4.6-9.2	5.2-10.0	
100 mm	Flow m ³ /s/m	0.082	0.124	0.164	0.206	0.248	0.288	0.330	0.370	0.403	
	NC	-	-	17	23	28	33	37	40	43	
	Throw, m	1.8-3.4	3.0-5.2	4.0-6.4	4.9-7.9	6.1-9.2	6.7-10.4	7.3-11.3	8.5-12.8	9.5-14.0	
150 mm	Flow m ³ /s/m	0.138	0.206	0.276	0.344	0.412	0.481	0.55	0.629	0.689	
	NC	-	-	19	25	30	35	39	42	45	
	Throw, m	2.7-4.3	4.0-6.1	4.9-7.3	6.1-8.8	7.3-10.4	8.5-11.9	9.2-12.5	10.4-14.0	11.6-15.3	
200 mm	Flow m ³ /s/m	0.164	0.248	0.328	0.412	0.496	0.576	0.660	0.740	0.806	
	NC	-	-	20	26	31	35	40	43	46	
	Throw, m	3.3-4.9	5.2-7.3	5.5-7.9	7.3-10.0	8.5-11.6	10.3-13.1	11.2-13.9	12.8-15.8	14.0-16.7	
250 mm	Flow m ³ /s/m	0.221	0.338	0.445	0.552	0.669	0.774	0.882	0.998	1.092	
	NC	-	-	20	26	31	35	40	43	46	
	Throw, m	3.9-5.5	6.4-7.7	6.6-8.5	7.1-11.2	9.7-12.8	12.1-14.3	13.2-15.3	15.2-17.6	16.4-18.1	
300 mm	Flow m ³ /s/m	0.276	0.412	0.552	0.688	0.824	0.962	1.100	1.258	1.378	
	NC	-	19	22	26	32	36	40	43	47	
	Throw, m	4.5-6.1	7.6-8.5	8.2-9.1	9.7-12.4	10.9-14.0	13.9-15.5	15.2-16.7	17.6-19.4	18.8-20.7	
350 mm	Flow m ³ /s/m	0.302	0.454	0.604	0.756	0.908	1.058	1.210	1.370	1.496	
	NC	-	19	22	27	32	36	41	43	47	
	Throw, m	5.1-6.7	8.8-9.3	9.3-9.7	10.9-13.6	12.1-15.2	15.7-16.7	17.2-18.1	20.0-21.2	21.2-22.5	

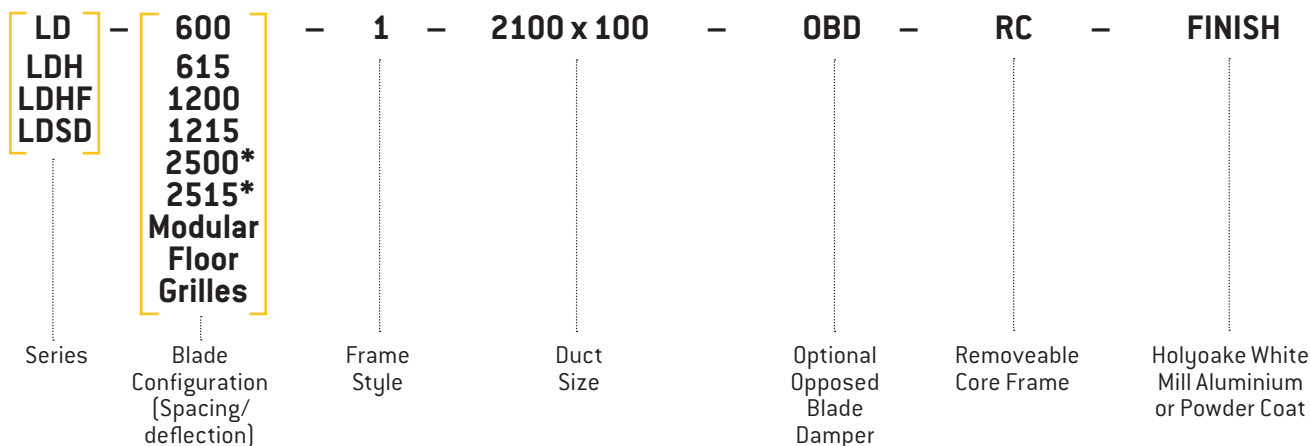
Note

1. For deflection settings of 22.5 and 45 degrees, increase the stated sound levels by 1 and 7 NC respectively.
2. For deflection settings of 22.5 and 45 degrees, decrease the stated throws to 80% and 50% respectively. Refer to page 202E.

Guide Product Weights	
Model	Approximate Weight in Kg per metre x 150mm
LDH-1200SD	3.2

LD, LDH, LDHF, LDSD & PMF

Diffuser Description Code Examples and Suggested Specifications



* Return/Exhaust Grilles, not suitable for floor applications.

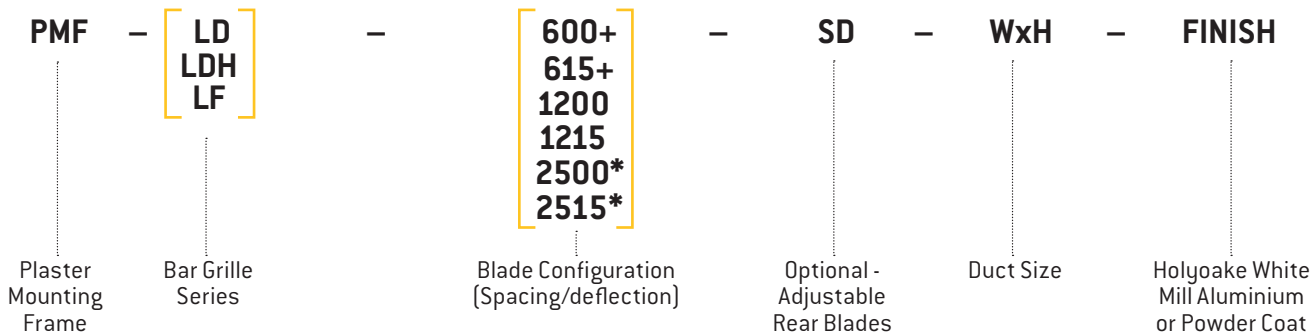
The Holyoake LD Range of linear diffusers shall be of extruded aluminium construction. Blades shall be mechanically expanded into notched mullions spaced at nominal centres. Diffusers shall be fitted with accessory dampers and have optional frame styles and finish where indicated.

All shall be as manufactured by Holyoake.



Holyoake LDH-CF Computer Floor supply grilles shall be of extruded aluminium, welded construction, with blades mechanically expanded into double, notched mullions spaced at nominal centres. They shall be designed to withstand a concentrated load of 500 kg over an area of 645mm² (1 square inch) at the centre, with no permanent distortion and maximum deflection under load of 0.66mm. Accessory volume control dampers, adjustable through the face, shall be furnished where indicated.

The whole assembly shall be as manufactured by Holyoake.



* Return/Exhaust Grilles, not suitable for floor applications. +See Notes on Page 68B.

Holyoake Series PMF – Plaster Mounting Frame shall be of extruded aluminium construction.

PMF Grilles shall have a flange width no greater than 6mm.

The Plaster Mounting Frame shall be fixed into a wall opening and plaster stopped before fitting of the Flangeless Grille. The Grille shall have blades notched into mullions spaced at nominal centres and may have a second row of adjustable 'SD' blades if specified.

All shall be as manufactured by Holyoake.

Note When LD Variants are ceiling mounted, seismic restraints are required, but not supplied.